

4

3

2

1

GENERAL INFORMATION:

SHAFT RUNOUT: .001 [.03] T.I.R. PER INCH LENGTH OF EXTENSION

END PLAY: .010 TO .063 [.25 TO 1.60]

BEARINGS: SLEEVE

MOUNTING POSITION: HORIZONTAL

ELECTRICAL DATA:

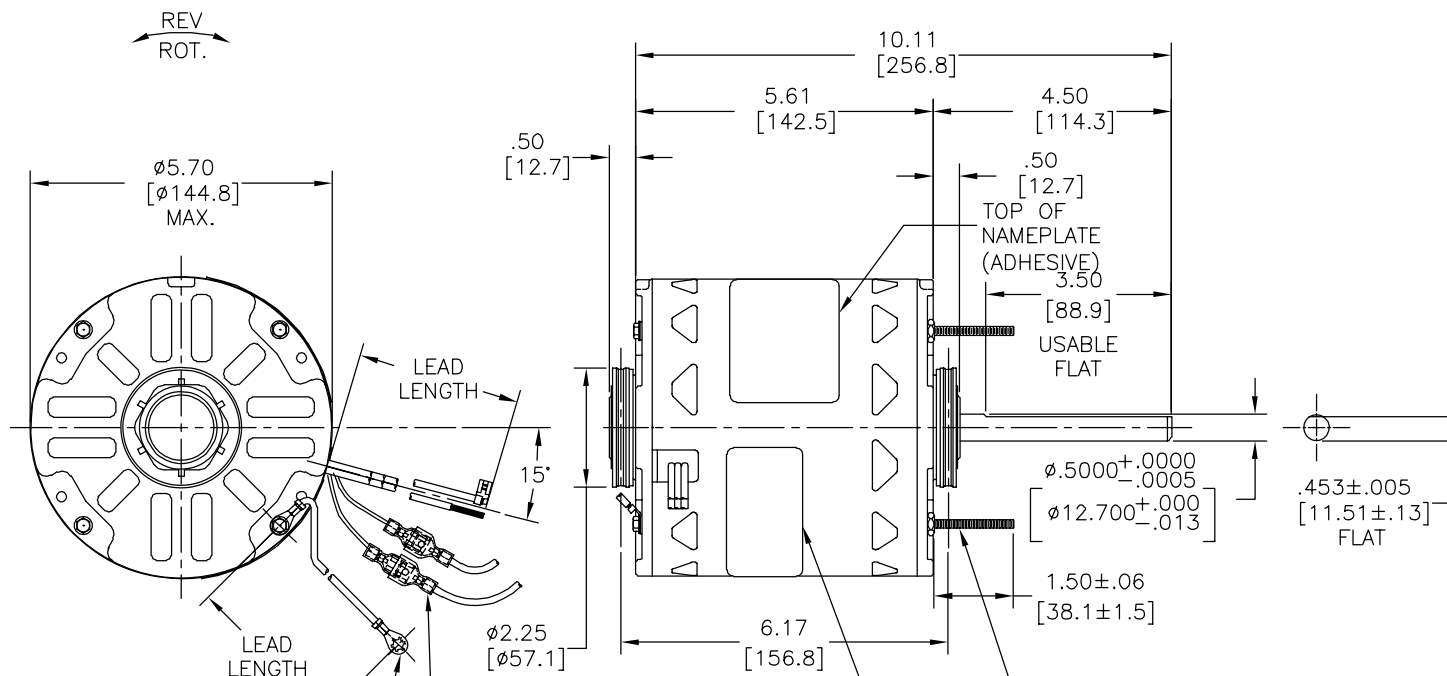
OVERLOAD PROTECTOR: AUTOMATIC RESET (T.I. 7AM 036)

LEADS: NO. 18 GA., .06 [1.5] THK., PVC 125°C INSUL.

GROUND LEAD: NO. 18 GA., .03 [.8] THK., (GREEN)INSUL.

REVERSING LEADS: NO. 18 GA., .03 [.8] THK., XLP 125°C INSUL.

REV	ECO	REV BY	DATE	APPD	DATE
B	0025541	I. ORTIZ	04-24-2012	D. BALDERRAMA	04-24-2012



GROUND LEAD (TERMINAL AT MOTOR MUST NOT PROTRUDE BEYOND MOTOR O.D.)

REVERSING LEADS (MOTOR TO BE SHIPPED CONNECTED FOR CCWLE ROTATION)

GREEN (GRD)	12.0/13.0 [305/330]	10# EYELET
BROWN (REV)	4.5/5.5 [114/140]	.25[6.4] FEMALE. INSUL. SPADE
WHITE (REV)	4.5/5.5 [114/140]	.25[6.4] MALE. INSUL. SPADE
ORANGE (REV)	4.5/5.5 [114/140]	.25[6.4] MALE. INSUL. SPADE
PURPLE (REV)	4.5/5.5 [114/140]	.25[6.4] FEMALE. INSUL. SPADE
BROWN	26.0/28.0 [660/711]	.25[6.4] FLAG
BROWN/WHITE	26.0/28.0 [660/711]	.25[6.4] FLAG
YELLOW	26.0/28.0 [660/711]	.50[12.7] SKIN
BLACK	26.0/28.0 [660/711]	.50[12.7] SKIN
RED	26.0/28.0 [660/711]	.50[12.7] SKIN
COLOR	LENGTH	TERMINAL OR STRIP LENGTH

- NOTES:
- SPLIT RING ADAPTOR 615035 4 REQUIRED TO BE PACKED WITH EACH MOTOR.
  - DISTRIBUTION PART NUMBER: D0008  
GRAINGER PART NUMBER: 4KA31

MAIN FRAME - OLE	- OPEN
END FRAME - OLE	- OPEN
MAIN FRAME - LE	OPEN
END FRAME - LE	OPEN

CUSTOMER	DISTRIBUTION SERVICES
----------	-----------------------

SEE NOTE 2

NAMEPLATE DATA:	EXTERNAL CONNECTION DIAGRAM
MODEL NO.: F48M92A01 CUST. P/N: [ ] HP: 3/4 ROT: REVERSIBLE RPM: 1075/2 SPD. TYPE: UF FRAME: 48Y VOLTS: 208-230 PH: 1 AMPS: 4.0 (5.0 MAX) HZ: 60 INS: B AMB: 40 °C DUTY: AIR OVER CAP.: 10 MFD/370V ENCL: OPEN CSA LOGO UL LOGO THERMALLY PROTECTED	SEP. CAP. BROWN BROWN/W. YELLOW BLACK RED PURPLE BROWN PURPLE BROWN ROTATION WHITE ORANGE ORANGE WHITE CCWLE CWLE 614131-171

PERFORMANCE CURVE NO.	TORQUE @1075 RPM (25°C)	APPROVED SAMPLE	UL COMPONENT		CSA	
C22946	68.4 OZ.FT.	EX11221	FILE #	CCN #	FILE #	CLASS #
			E46412	PRGY2	LR43341	4211-01

GEOMETRIC CHARACTERISTICS & SYMBOLS  
 ▽ FLATNESS  
 - STRAIGHTNESS  
 < ANGLARITY  
 ⊥ PERPENDICULARITY (SQUARENESS)  
 // PARALLELISM  
 ○ ROUNDNESS (CIRCULARITY)  
 ∅ CYLINDRICITY  
 △ PROFILE OF ANY SURFACE  
 ∩ PROFILE OF ANY LINE  
 ↑ RUNOUT  
 ⊕ TRUE POSITION  
 ⊙ CONCENTRICITY  
 = SYMMETRY  
 ASME Y14.5M 1994

REGAL-BELOIT CORPORATION (RBC) PROVIDES TECHNICAL ASSISTANCE TO OUR CUSTOMERS IN SEVERAL AREAS. SINCE RBC DOES NOT RECEIVE ALL DATA CONCERNING THE USE AND APPLICATION OF THE MOTOR, THE SUITABILITY OF THE MOTOR FOR THE APPLICATION MUST BE DETERMINED BY THE CUSTOMER.

DIMENSIONS WITHOUT TOLERANCES ARE FOR REFERENCE ONLY.

DR BY:	DZ	02-22-2011
APPD:	DZ	02-22-2011
THIRD ANGLE PROJECTION		EDS DATE 11-11-2011 FORMAT REV G
CONFIDENTIAL: THIS DRAWING AND ITS INFORMATION ARE THE EXCLUSIVE AND CONFIDENTIAL PROPERTY OF REGAL-BELOIT CORPORATION AND ARE NOT TO BE DISCLOSED, DUPLICATED, DISTRIBUTED OR OTHERWISE USED WITHOUT THE WRITTEN CONSENT OF REGAL-BELOIT CORPORATION. -ALL RIGHTS RESERVED.		

DESCRIPTION <b>OUTLINE</b>	
SIZE C	DWG NO F48M92A01
SCALE NONE	SHEET 1

4

3

2

1

4

3

2

1

INFORMACION GENERAL:

OSCILACION DE FLECHA:

JUEGO AXIAL:

BALEROS:

POSICION DEL MONTAJE:

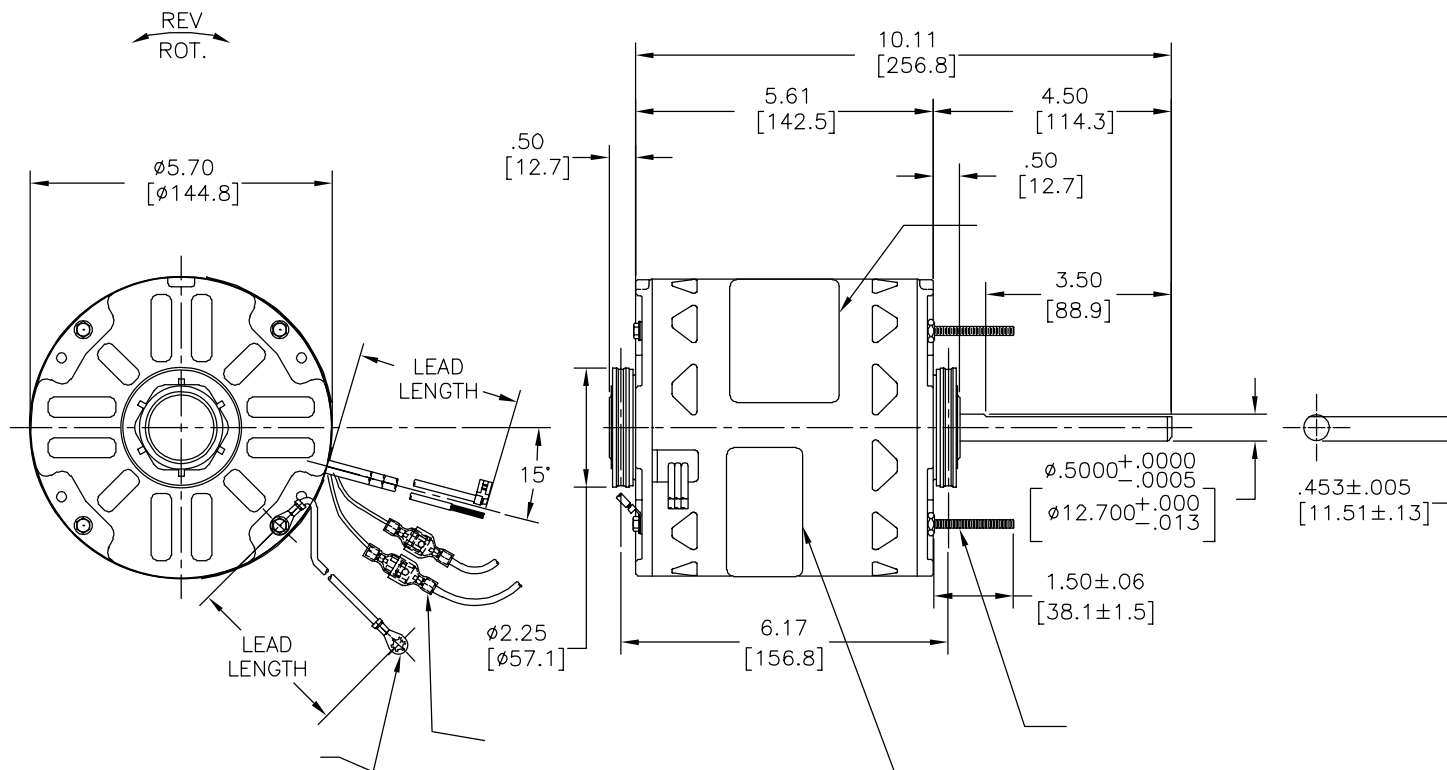
INFORMACION ELECTRICA:

PROTECTOR DE SOBRECARGA

CABLES:

CABLE DE TIERRA:

REVISION:	ECO	REVISADO POR:	FECHA:	APROBADO POR:	FECHA:
B	0025541	I. ORTIZ	04-24-2012	D. BALDERRAMA	04-24-2012



INFORMACION DE ETIQUETA:	DIAGRAMA DE CONEXION EXTRNA
MODEL NO.: F48M92A01 CUST. P/N: [ ] HP: 3/4 ROT: REVERSIBLE RPM: 1075/2 SPD. TYPE: UF FRAME: 48Y VOLTS: 208-230 PH: 1 AMPS: 4.0 (5.0 MAX) HZ: 60 INS: B AMB: 40 °C DUTY: AIR OVER CAP.: 10 MFD/370V ENCL: OPEN CSA LOGO UL LOGO THERMALLY PROTECTED	<p>SEP. CAP.</p> <p>BROWN</p> <p>BROWN/W.</p> <p>YELLOW</p> <p>BLACK</p> <p>RED</p> <p>PURPLE</p> <p>BROWN</p> <p>PURPLE</p> <p>BROWN</p> <p>WHITE</p> <p>ORANGE</p> <p>ORANGE</p> <p>WHITE</p> <p>614131-171</p>

CURVAS DE FUNCIONAMIENTO	TORSION @ 1075 RPM (25°C)	MUESTRA APROBADA	COMPONENTE UL	CSA
C22946	68.4 OZ.FT.	EX11221	#ARCHIVO PRGY2	CLASE # 4211-01

	12.0/13.0	
	[305/330]	
	4.5/5.5	
	[114/140]	
	4.5/5.5	
	[114/140]	
	4.5/5.5	
	[114/140]	
	26.0/28.0	
	[660/711]	
	26.0/28.0	
	[660/711]	
	26.0/28.0	
	[660/711]	
	26.0/28.0	
	[660/711]	
	26.0/28.0	
	[660/711]	
COLOR	LONGITUD	TERMINAL O LONGITUD DE DESFORRE

CARCASA - LOC	-
TAPA - LOC	-
CARCASA - LC	-
TAPA - LC	-

CLIENTE	DISTRIBUTION SERVICES
---------	-----------------------

CARACTERISTICAS DE GEOMETRIA Y SIMBOLOS

- ☑ PLANICIDAD
- RECTITUD
- ∠ ANGULARIDAD
- ⊥ PERPENDICULARIDAD (A ESCUADRA)
- // PARALELISMO
- REDONDEZ (CIRCULARIDAD)
- ⊘ CILINDRICIDAD
- △ PERFIL DE CUALQUIER SUPERFICIE
- ∩ PERFIL DE CUALQUIER LINEA
- ∇ VARIACION
- ⊕ POSICION REAL
- ⊙ CONCENTRICIDAD
- = SIMETRIA

ASME Y14.5M 1994

REGAL-BELOIT CORPORATION (RBC) PROVEE ASISTENCIA TECNICA A NUESTROS CLIENTES EN VARIAS AREAS. DESDE QUE RBC NO RECIBE TODOS LOS DATOS EN RELACION AL USO Y A LA APLICACION DEL MOTOR, LA APLICACION ADECUADA DEL MOTOR DEBE SER DETERMINADA POR EL CLIENTE.

DIMENSIONES SIN TOLERANCIA SON DE REFERENCIA SOLAMENTE

DIBUJADO POR: DZ 02-22-2011

APROBADO POR: DZ 02-22-2011

TERCER ANGULO DE PROYECCION

FECHA EDS: 11-11-2011

REV. FORMATO: G

CONFIDENCIAL: ESTE DIBUJO Y SU INFORMACION SON PROPIEDAD DE USO EXCLUSIVO Y CONFIDENCIAL DE REGAL-BELOIT CORPORATION. Y NO DEBERAN SER REVELADOS, DUPLICADOS, DISTRIBUIDOS O USARSE DE OTRA MANERA SIN EL CONSENTIMIENTO ESCRITO DE REGAL-BELOIT CORPORATION. -TODOS LOS DERECHOS RESERVADOS.

REGAL-BELOIT CORPORATION

DESCRIPCION: OUTLINE

TAMAÑO: C NUMERO DE DIBUJO: F48M92A01

ESCALA: NONE HOJA: 1

4

3

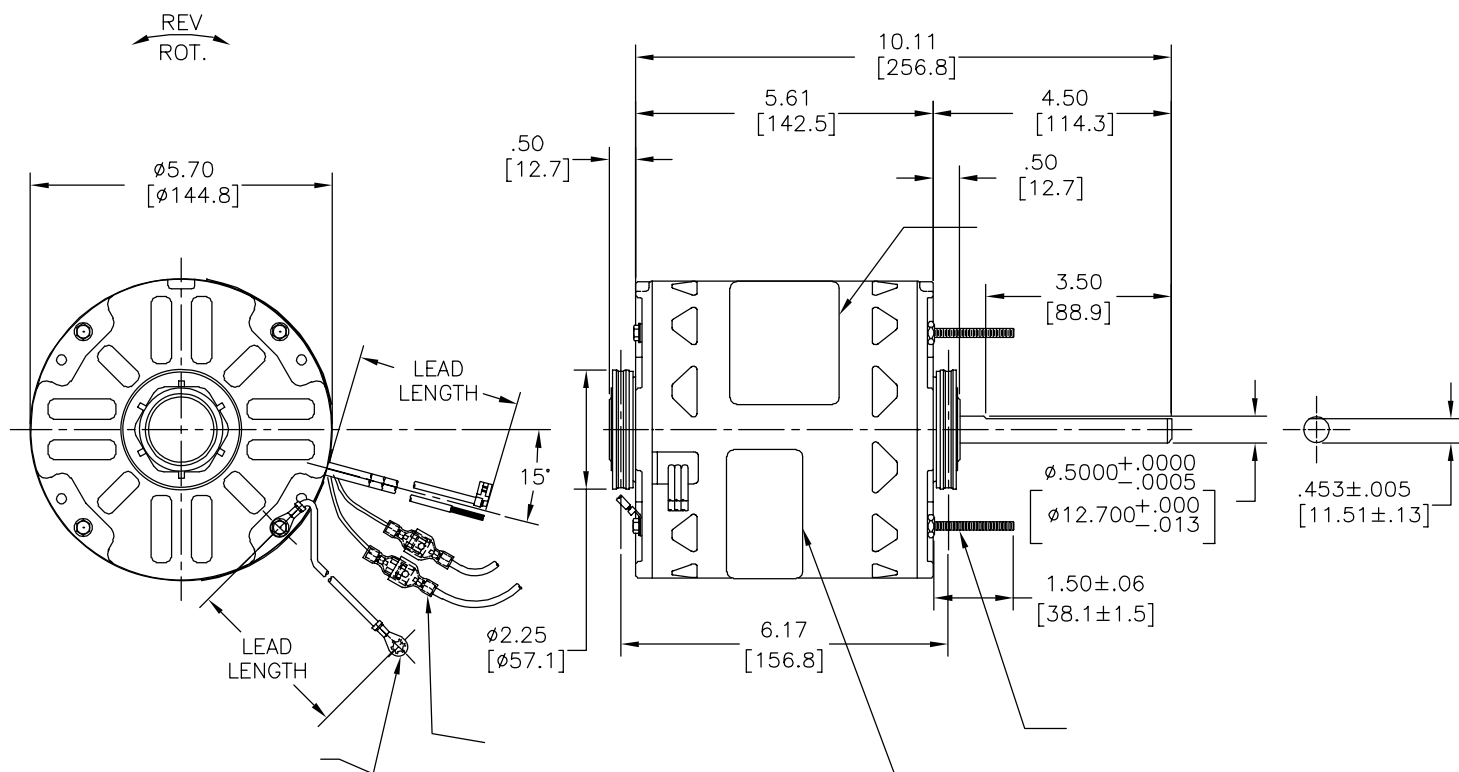
2

1

4 3 2 1

版本	ECO	编制	日期	批准	日期
B	0025541	I. ORTIZ	04-24-2012	D. BALDERRAMA	04-24-2012

总技术要求:  
轴跳动:  
端部窜动量  
轴承:  
安装位置:  
电气数据:  
过载保护:  
引线:  
接地线:



铭牌数据	外部数据线
MODEL NO.: F48M92A01 CUST. P/N: [ ] HP: 3/4 ROT: REVERSIBLE RPM: 1075/2 SPD. TYPE: UF FRAME: 48Y VOLTS: 208-230 PH: 1 AMPS: 4.0 (5.0 MAX) HZ: 60 INS: B AMB: 40 °C DUTY: AIR OVER CAP.: 10 MFD/370V ENCL: OPEN CSA LOGO UL LOGO THERMALLY PROTECTED	SEP. CAP. BROWN BROWN/W. YELLOW BLACK RED PURPLE BROWN PURPLE BROWN WHITE ORANGE ORANGE WHITE 614131-171

	12.0/13.0	
	[305/330]	
	4.5/5.5	
	[114/140]	
	4.5/5.5	
	[114/140]	
	4.5/5.5	
	[114/140]	
	26.0/28.0	
	[660/711]	
	26.0/28.0	
	[660/711]	
	26.0/28.0	
	[660/711]	
	26.0/28.0	
	[660/711]	
	26.0/28.0	
	[660/711]	

无引线端机壳	
无引线端端盖	
有引线端机壳	
有引线端端盖	

性能曲线编号	转矩在 @ 1075 RPM (25° C)	批准样品	UL部件	CSA
C22946	68.4 OZ.FT.	EX11221	文件号 指南	文件号 指南
			E46412 PRG2	LR43341 4211-01

- 形位公差
- 平面度
- 直线度
- ∠ 倾斜度
- ⊥ 垂直度
- ∥ 平行度
- 圆度
- ⊙ 圆柱度
- ⊖ 面轮廓度
- ⊖ 线轮廓度
- ⊖ 圆跳动
- ⊖ 位置度
- ⊖ 同轴度
- ⊖ 对称度

REGAL-BELOIT CORPORATION (RBC) 在个别领域为客户提供技术支持。鉴于 RBC 未收到任何涉及电机使用和应用环境的数据，电机的适用性由客户自己决定。

未注公差尺寸仅供参考。

绘图:	DZ	02-22-2011
批准:	DZ	02-22-2011
第三角投影		图纸格式发布日期 11-11-2011 图纸格式版本 G
机密: 本图纸及相关信息所有权归REGAL-BELOIT CORPORATION。未经REGAL-BELOIT CORPORATION书面授权, 不得泄露、复制、传播或作其他用途。--版权所有		

名称	OUTLINE
图幅	C
图号	F48M92A01
比例	NONE
页号	1

4 3 2 1