

REV	ECO	REV BY	DATE	APPD	DATE
D	0025541	I. ORTIZ	04-24-2012	D. BALDERRAMA	04-24-2012

GENERAL INFORMATION:

SHAFT RUNOUT: .001 [.03] T.I.R. PER INCH LENGTH OF EXTENSION

END PLAY: .010 TO .063 [.25 TO 1.60]

BEARINGS: SLEEVE

MOUNTING POSITION: HORIZONTAL

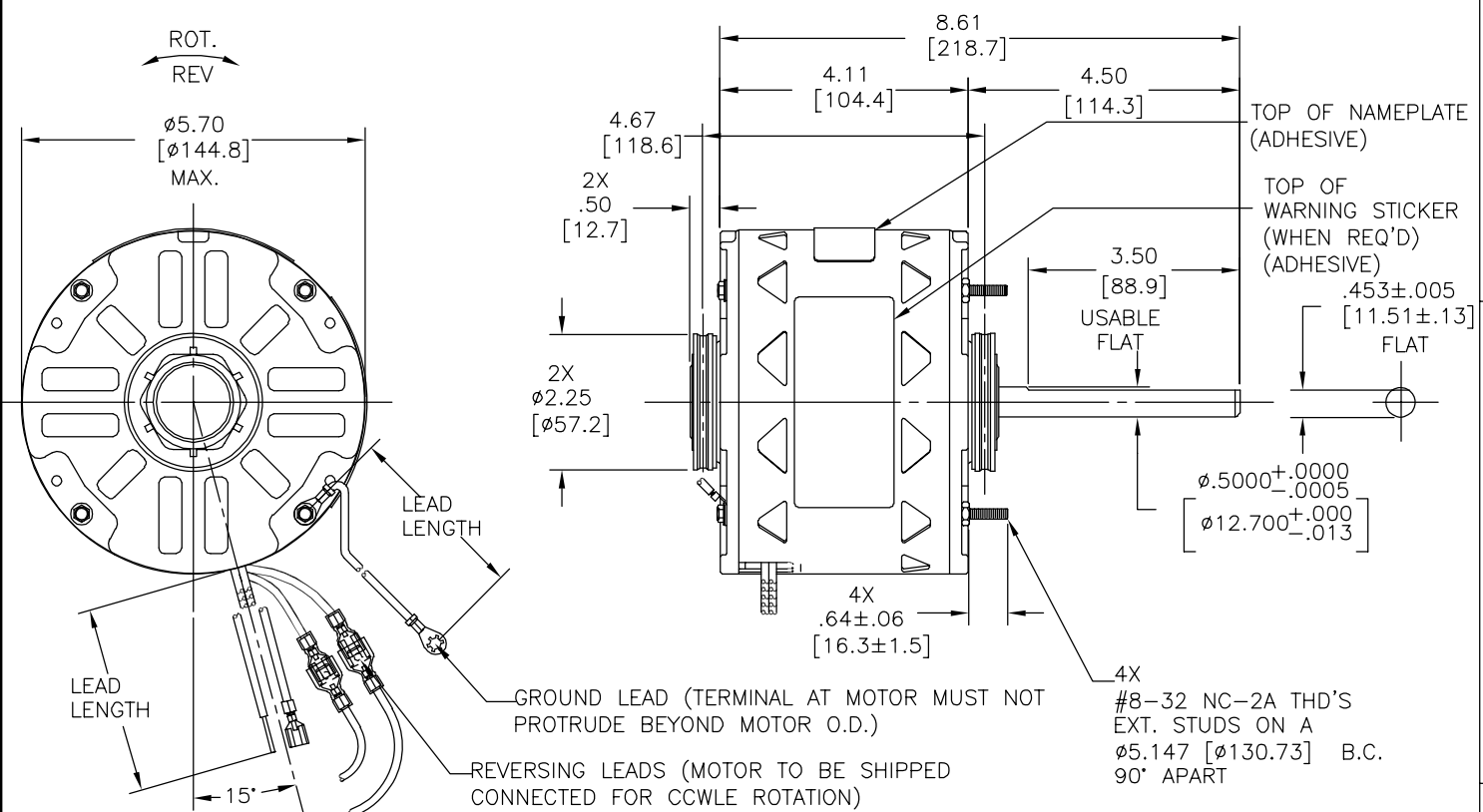
ELECTRICAL DATA:

OVERLOAD PROTECTOR: AUTOMATIC RESET (T.I. 7AM 036)

LINE LEADS: NO. 18 GA., .06 [1.5] THK., PVC 125°C INSUL.

REVERSING LEADS: NO. 18 GA., .03 [.8] THK., 125°C INSUL.

GROUND LEADS: NO. 18 GA., .03 [.8] THK., (GREEN)INSUL.



SEE NOTE 2

GREEN (GRD)	9.0/11.0 [229/279]	10# EYELET
WHITE (REV)	4.0/6.0 [102/152]	.25[6.4] PER-INSUL. FEMALE SPADE
PURPLE (REV)	4.0/6.0 [102/152]	.25[6.4] PER-INSUL. FEMALE SPADE
ORANGE (REV)	4.0/6.0 [102/152]	.25[6.4] PER-INSUL. FEMALE SPADE
BROWN (REV)	4.0/6.0 [102/152]	.25[6.4] PER-INSUL. FEMALE SPADE
BROWN	25.0/27.0 [635/686]	.25[6.4] FEMALE SPADE
BROWN/WHITE	25.0/27.0 [635/686]	.25[6.4] FEMALE SPADE
YELLOW	25.0/27.0 [635/686]	.60[15.2] SKIN
BLACK	25.0/27.0 [635/686]	.60[15.2] SKIN
RED	25.0/27.0 [635/686]	.60[15.2] SKIN
COLOR	LENGTH	TERMINAL OR STRIP LENGTH

- NOTES:
- SPLIT RING ADAPTOR 615035 4 REQUIRED TO BE PACKED WITH EACH MOTOR.
  - DISTRIBUTION PART NUMBER: D0002  
GRAINGER PART NUMBER: 4KA25

NAMEPLATE DATA:	EXTERNAL CONNECTION DIAGRAM
MODEL NO.: F48M96A01 CUST. P/N: [.....] HP: 1/4 ROT: REVERSIBLE RPM: 1075/2 SPD. TYPE: UF FRAME: 48Y VOLTS: 208-230 PH: 1 AMPS: 1.8 (2.2 MAX) HZ: 60 INS: B AMB: 40 °C DUTY: AIR OVER CAP.: 5 MFD/370V ENCL: OPEN CSA LOGO UL LOGO THERMALLY PROTECTED	
626112-001	

PERFORMANCE CURVE NO.	TORQUE @ 1075 RPM (25°C)	APPROVED SAMPLE	UL COMPONENT FILE #	CCN #	CSA FILE #	CLASS #
C31377	25.8 OZ.FT.	96AC229A	E46412	PRGY2	LR43341	4211-01

MAIN FRAME - OLE	OPEN
END FRAME - OLE	OPEN
MAIN FRAME - LE	OPEN
END FRAME - LE	OPEN

CUSTOMER	DISTRIBUTION SERVICES

GEOMETRIC CHARACTERISTICS & SYMBOLS  
 ▽ FLATNESS  
 - STRAIGHTNESS  
 ∠ ANGULARITY  
 ⊥ PERPENDICULARITY (SQUARENESS)  
 // PARALLELISM  
 ○ ROUNDNESS (CIRCULARITY)  
 ∅ CYLINDRICITY  
 △ PROFILE OF ANY SURFACE  
 ∩ PROFILE OF ANY LINE  
 ↑ RUNOUT  
 ⊕ TRUE POSITION  
 ⊙ CONCENTRICITY  
 = SYMMETRY  
 ASME Y14.5M 1994

REGAL-BELOIT CORPORATION (RBC) PROVIDES TECHNICAL ASSISTANCE TO OUR CUSTOMERS IN SEVERAL AREAS. SINCE RBC DOES NOT RECEIVE ALL DATA CONCERNING THE USE AND APPLICATION OF THE MOTOR, THE SUITABILITY OF THE MOTOR FOR THE APPLICATION MUST BE DETERMINED BY THE CUSTOMER.  
 DIMENSIONS WITHOUT TOLERANCES ARE FOR REFERENCE ONLY.

DR BY:	J RUPERT	03-23-1999
APPD:	J MURP	03-26-1999
THIRD ANGLE PROJECTION		EDS DATE 11-11-2011 FORMAT REV G
CONFIDENTIAL: THIS DRAWING AND ITS INFORMATION ARE THE EXCLUSIVE AND CONFIDENTIAL PROPERTY OF REGAL-BELOIT CORPORATION AND ARE NOT TO BE DISCLOSED, DUPLICATED, DISTRIBUTED OR OTHERWISE USED WITHOUT THE WRITTEN CONSENT OF REGAL-BELOIT CORPORATION. -ALL RIGHTS RESERVED.		

DESCRIPTION	
OUTLINE	
SIZE	C
DWG NO	11760-084
SCALE	NONE
SHEET	1

REVISION:	ECO	REVISADO POR:	FECHA:	APROBADO POR:	FECHA:
D	0025541	I. ORTIZ	04-24-2012	D. BALDERRAMA	04-24-2012

**INFORMACION GENERAL:**

OSCILACION DE FLECHA: .001 [.03] L.T.I. LONG. DE EXTENSION POR PULGADA

JUEGO AXIAL: .010 A .063 [.25 A 1.60]

BALEROS: MANGA

POSICION DEL MONTAJE: HORIZONTAL

**INFORMACION ELECTRICA:**

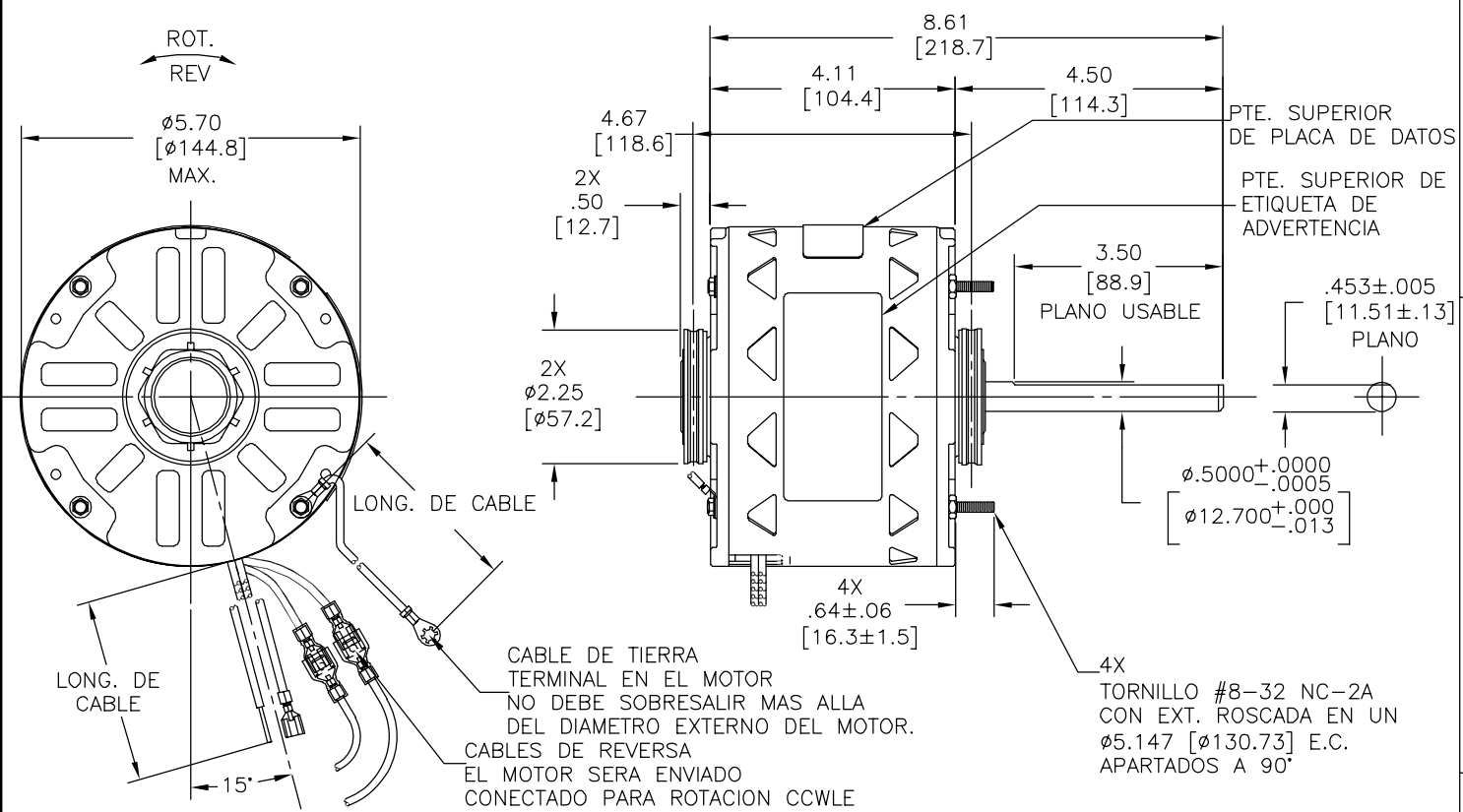
SOBRECARGA DEL PROTECTOR: REINICIO AUTOMATICO (T.I. 7AM 036)

LINEA DE CABLES: CAL. NO. 18, .06 [1.5] ESP. PVC 125°C AISLAM.

CABLES DE REVERSA: CAL. NO. 18, .03 [.8] ESP. PVC 125°C AISLAM.

CABLE DE TIERRA: CAL. NO. 18, .03 [.8] ESP. (VERDE) AISLAM.

VER NOTA 2



- NOTAS:
- ADAPTADOR DE ANILLO DE RANURA 615035 4 REQUERIDOS SERAN EMPACADOS CON CADA MOTOR.
  - NO. DE PARTE DE DISTRIBUCION: D0002  
NO. DE PARTE GRAINGER: 4KA25

VERDE (TIERRA)	9.0/11.0 [229/279]	10# OJAL
BLANCO(REV)	4.0/6.0 [102/152]	.25[6.4] PRE-AISL. TERMINAL TIPO ESPADA
MORADO(REV)	4.0/6.0 [102/152]	.25[6.4] PRE-AISL. TERMINAL TIPO ESPADA
NARANJA(REV)	4.0/6.0 [102/152]	.25[6.4] PRE-AISL. TERMINAL TIPO ESPADA
CAFE (REV)	4.0/6.0 [102/152]	.25[6.4] PRE-AISL. TERMINAL TIPO ESPADA
CAFE	25.0/27.0 [635/686]	.25[6.4] TERMINAL HEMBRA TIPO ESPADA
CAFE/BLANCO	25.0/27.0 [635/686]	.25[6.4] TERMINAL HEMBRA TIPO ESPADA
AMARILLO	25.0/27.0 [635/686]	.60[15.2] DESFORRE
NEGRO	25.0/27.0 [635/686]	.60[15.2] DESFORRE
ROJO	25.0/27.0 [635/686]	.60[15.2] DESFORRE
COLOR	LONGITUD	TERMINAL O LONGITUD DE DESFORRE

CARCASA - LOC	ABIERTO
TAPA - LOC	ABIERTO
CARCASA - LC	ABIERTO
TAPA - LC	ABIERTO

CLIENTE	DISTRIBUTION SERVICES
---------	-----------------------

INFORMACION DE PLACA DE DATOS	DIAGRAMA DE CONEXION EXTERNA
MODEL NO.: F48M96A01 CUST. P/N: [.....] HP: 1/4 ROT: REVERSIBLE RPM: 1075/2 SPD. TYPE: UF FRAME: 48Y VOLTS: 208-230 PH: 1 AMPS: 1.8 (2.2 MAX) HZ: 60 INS: B AMB: 40 °C DUTY: AIR OVER CAP.: 5 MFD/370V ENCL: OPEN CSA LOGO UL LOGO THERMALLY PROTECTED	
626112-001	

CURVAS DE FUNCIONAMIENTO	TORSION @ 1075 RPM (25°C)	MUESTRA APROBADA	COMPONENTE UL	CSA
C31377	25.8 OZ.FT.	96AC229A	#ARCHIVO PRGY2	CLASE # 4211-01

- CARACTERISTICAS DE GEOMETRIA Y SIMBOLOS
- PLANICIDAD
  - RECTITUD
  - ANGULARIDAD
  - PERPENDICULARIDAD (A ESCUADRA)
  - PARALELISMO
  - REDONDEZ (CIRCULARIDAD)
  - CILINDRICIDAD
  - PERFIL DE CUALQUIER SUPERFICIE
  - PERFIL DE CUALQUIER LINEA
  - VARIACION
  - POSICION REAL
  - CONCENTRICIDAD
  - SIMETRIA
- ASME Y14.5M 1994

REGAL-BELOIT CORPORATION (RBC) PROVEE ASISTENCIA TECNICA A NUESTROS CLIENTES EN VARIAS AREAS. DESDE QUE RBC NO RECIBE TODOS LOS DATOS EN RELACION AL USO Y A LA APLICACION DEL MOTOR, LA APLICACION ADECUADA DEL MOTOR DEBE SER DETERMINADA POR EL CLIENTE.

DIMENSIONES SIN TOLERANCIA SON DE REFERENCIA SOLAMENTE

DIBUJADO POR: J RUPERT 03-23-1999

APROBADO POR: J MURP 03-26-1999

TERCER ANGULO DE PROYECCION

FECHA EDS: 11-11-2011  
REV. FORMATO: G

CONFIDENCIAL: ESTE DIBUJO Y SU INFORMACION SON PROPIEDAD DE USO EXCLUSIVO Y CONFIDENCIAL DE REGAL-BELOIT CORPORATION. Y NO DEBERAN SER REVELADOS, DUPLICADOS, DISTRIBUIDOS O USARSE DE OTRA MANERA SIN EL CONSENTIMIENTO ESCRITO DE REGAL-BELOIT CORPORATION. -TODOS LOS DERECHOS RESERVADOS.

REGAL-BELOIT CORPORATION

DESCRIPCION: OUTLINE

TAMAÑO: C NUMERO DE DIBUJO: 11760-084

ESCALA: NONE HOJA: 1

4

3

2

1

总技术要求:

轴跳动: .001/1 [.03/25.4] (外伸轴)

端部窜动量: .010 - .063 [.25 - 1.60]

轴承: 含油轴承

安装位置: 水平

电气数据:

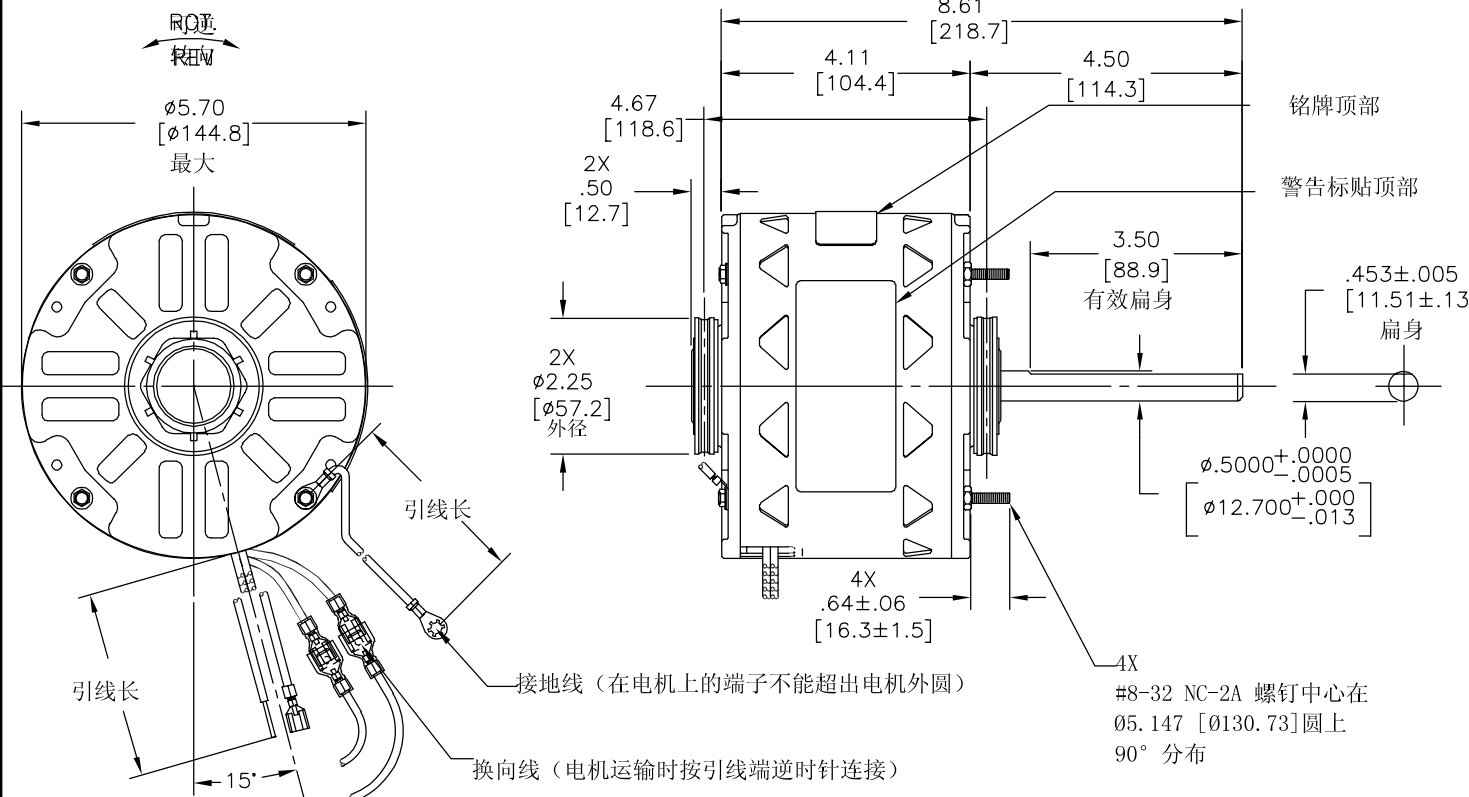
过载保护: 自动复位 (T. I. 7AM 036)

引线: 18 GA., .06[1.5] 厚. 125° C 绝缘

换向引线: 18 GA., .03[.8] 厚. 125° C 绝缘

接地线: 18 GA., .03 [.8] 厚. (绿色) 绝缘

版本	ECO	编制	日期	批准	日期
D	0025541	I. ORTIZ	04-24-2012	D. BALDERRAMA	04-24-2012



绿色 (接地)	9.0/11.0 [229/279]	10# 端子
白色 (换向)	4.0/6.0 [102/152]	.25 [6.4] 母铲形插带绝缘套
紫色 (换向)	4.0/6.0 [102/152]	.25 [6.4] 母铲形插带绝缘套
橙色 (换向)	4.0/6.0 [102/152]	.25 [6.4] 母铲形插带绝缘套
棕色 (换向)	4.0/6.0 [102/152]	.25 [6.4] 母铲形插带绝缘套
棕色	25.0/27.0 [635/686]	.25 [6.4] 母铲形插
棕色/白色	25.0/27.0 [635/686]	.25 [6.4] 母铲形插
黄色	25.0/27.0 [635/686]	.60 [15.2] 剥线长
黑色	25.0/27.0 [635/686]	.60 [15.2] 剥线长
红色	25.0/27.0 [635/686]	.60 [15.2] 剥线长
颜色	长度	端子或剥线长度

技术要求:  
每台电机包装时附带4个减振圈 (680198-001).

无引线端机壳	开放
无引线端端盖	开放
有引线端机壳	开放
有引线端端盖	开放

用户	DISTRIBUTION SERVICES
----	-----------------------

铭牌数据	外部连接详图
MODEL NO.: F48M96A01 CUST. P/N: [.....] HP: 1/4 ROT: REVERSIBLE RPM: 1075/2 SPD. TYPE: UF FRAME: 48Y VOLTS: 208-230 PH: 1 AMPS: 1.8 (2.2 MAX) HZ: 60 INS: B AMB: 40 °C DUTY: AIR OVER CAP.: 5 MFD/370V ENCL: OPEN CSA LOGO UL LOGO THERMALLY PROTECTED	
	626112-001

性能曲线编号	转矩在1075RPM (25° C)	批准样品	UL部件		CSA	
C31377	25.8 OZ.FT.	96AC229A	文件号	指南	文件号	指南
			E46412	PRGY2	LR43341	4211-01

- 形位公差
- 平面度
- 直线度
- 倾斜度
- 垂直度
- 平行度
- 圆度
- 圆柱度
- 面轮廓度
- 线轮廓度
- 圆跳动
- 位置度
- 同轴度
- 对称度

ASME Y14.5M 1994

REGAL-BELOIT CORPORATION (RBC) 在个别领域为客户提供技术支持。鉴于 RBC 未收到任何涉及电机使用和应用环境的数据, 电机的适用性由客户自己决定。

未注公差尺寸仅供参考。

绘图:	J RUPERT	03-23-1999
批准:	J MURP	03-26-1999
第三角投影		图纸格式发布日期 11-11-2011 图纸格式版本 G
机密: 本图纸及相关信息所有权归REGAL-BELOIT CORPORATION。未经REGAL-BELOIT CORPORATION书面授权, 不得泄露、复制、传播或作其他用途。--版权所有		

名称	OUTLINE
图幅	C
图号	11760-084
比例	NONE
页号	1

4

3

2

1