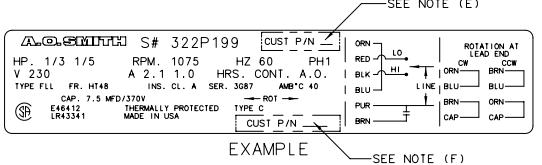
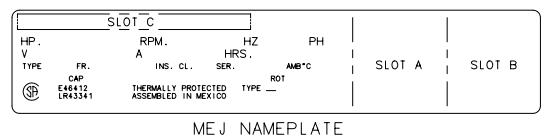
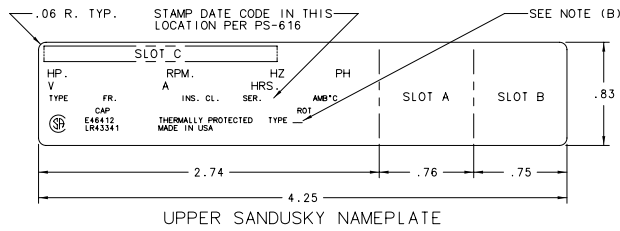


626112 SHT. #1



SPECIAL NOTES: (SEE CHART)

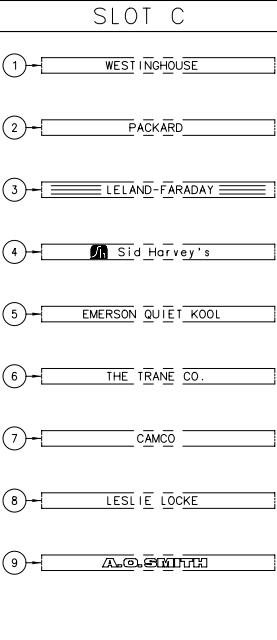
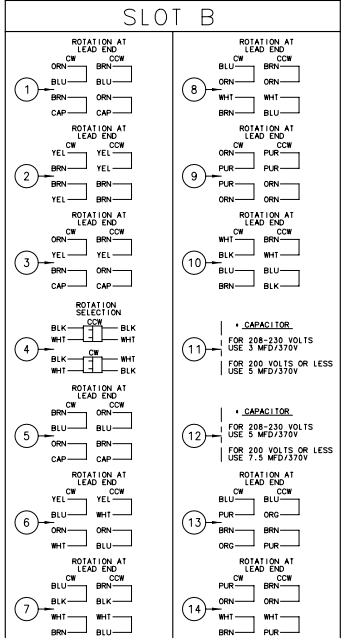
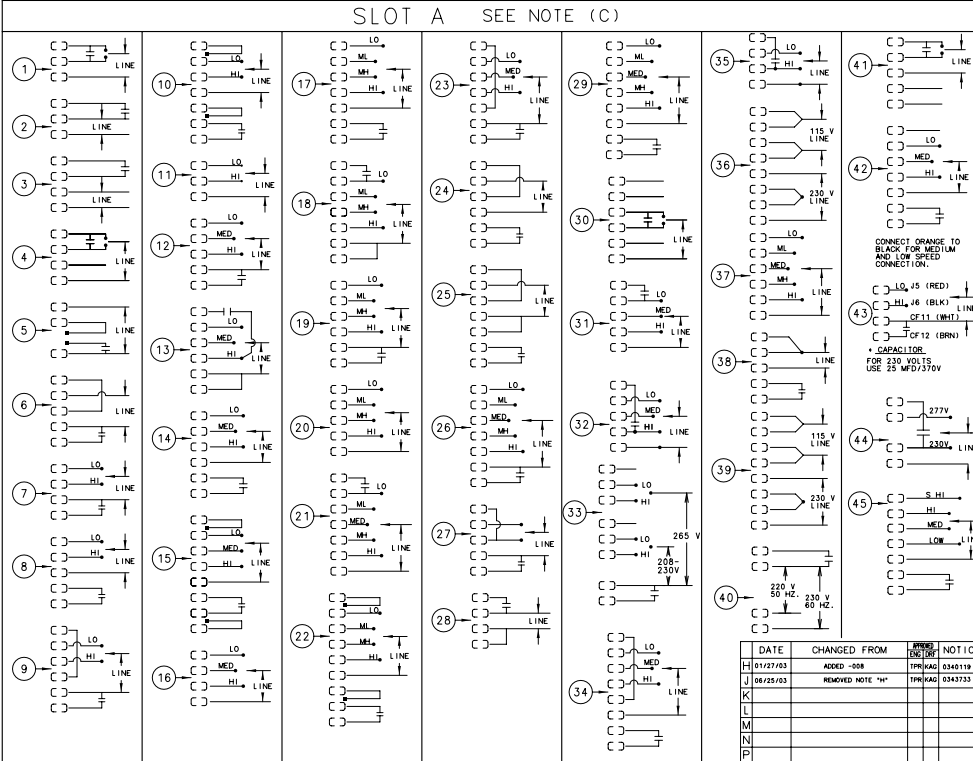
- (1) ARRANGE AND PRINT AS SHOWN USING BLACK LETTERING; THE PRINTING (MS-8080) TO BE COMPLETED USING THE NAMEPLATE INFORMATION FROM THE STYLE LIST SO THAT IT WILL BE SIMILAR TO THE EXAMPLE GIVEN.
- (2) OMIT CSA LOGO AND LR43341
- (3) ARRANGE AND PRINT AS SHOWN USING RED LETTERING; THE PRINTING (MS-8080) TO BE COMPLETED USING THE NAMEPLATE INFORMATION FROM THE STYLE LIST SO THAT IT WILL BE SIMILAR TO THE EXAMPLE GIVEN.
- (4) OMIT "MADE IN USA" OR "ASSEMBLED IN MEXICO".
- (5) WHEN STYLE LIST SPECIFIES "IMPEDANCE PROTECTED" USE "IMPEDANCE PROTECTED" IN PLACE OF "THERMALLY PROTECTED" AND OMIT TYPE C, CSA MONOGRAM AND LR43341.
- (6) FOR LELAND FARADAY OR EMERSON STYLES ONLY: PRINT CUSTOMER P/N AT TOP OF NAMEPLATE AND A.O.S. P/N "MFG. NO. [STYLE]" AT BOTTOM OF NAMEPLATE.

GENERAL NOTES:

- USE 8 PT. TYPE FOR THE TOP LINE AND 6 PT. TYPE FOR CUSTOMER PART NUMBER AND LINES 2 AND 3. USE 4 PT. TYPE FOR THE LAST FOUR LINES. USE STYLE 42 FOR ALL PRINTING.
- WHEN STYLE LIST SPECIFIES THERMO. TYPE C, USE: THERMALLY PROTECTED TYPE C. WHEN STYLE LIST SPECIFIES THERMO. TYPE T, USE: THERMALLY PROTECTED TYPE T. NOTE: LEAVE 3 SPACES BETWEEN "THERMALLY PROTECTED" AND "TYPE".
- REFER TO MLW DIAG. FOR THE LEAD COLORS TO INSERT INTO SLOT A.
- PRINT PER PS-83860JE.
- CUSTOMER PART NUMBERS WITH 9 OR LESS CHARACTERS WILL FIT IN THIS SLOT WITH 6 PT. TYPE.
- CUSTOMER PART NUMBERS WITH 10-27 CHARACTERS WILL FIT IN THIS SLOT WITH 4 PT. TYPE.
- SEE STYLE LIST FOR ROTATION ARROW.

PART NUMBER	SPECIAL NOTES	DESCRIPTION & MATERIAL	SLOT A	SLOT B	SLOT C
626112-001	1	WHITE	8	14	9
626112-002	1	WHITE	43	-	9
626112-003	1	WHITE	14	-	9
626112-004	3	WHITE	4	-	9
626112-005	1	WHITE	44	-	9
626112-006	1	WHITE	45	-	9
626112-006	1	WHITE	45	-	9
626112-007	1	WHITE	40	-	9
626112-008	1	WHITE	33	-	9

NAMEPLATE LABEL STOCK MS-8115



DATE	CHANGED FROM	REVISION	NOTICE	DATE	CHANGED FROM	REVISION	NOTICE
H 01/21/03	ADDED -008	TRW/KAG	0340119	A 04/05/01	ADDED -002	DM/JEM	0145597
J 06/25/03	REMOVED NOTE "H"	TRW/KAG	0343733	B 04/05/01	ADDED -005	DM/JEM	0145597
K				C 06/06/01	REVISED SYMBOLIC #43	JEM	0141113
L				D 06/18/01	ADDED -004	JEM/SM	0117026
M				E 08/23/01	ADDED SLOT "A" #44	ME/KAG	0142847
N				F 08/24/01	ADDED SLOT "A" #45	TRW/KAG	0148202
P				G 01/10/02	ADDED -007	TRW/KAG	0142923

<p>UNLESS OTHERWISE SPECIFIED DIMENSIONS ON TOLERANCES ARE AS SHOWN. USE UNLESS OTHERWISE SPECIFIED: 1. PERPENDICULARITY (SQUARENESS) 2. ROUNDNESS (CIRCULARITY) 3. CIRCULARITY 4. PROFILE OF ANY SURFACE 5. ROUNDNESS 6. POSITION 7. CONCENTRICITY 8. SYMMETRY</p>	<p>WATERMARK: SEE CHART</p> <p>PROCESS: SEE NOTES</p>	<p>DRAWN: J. RUPERT 03/23/99</p> <p>APPROVED: J. RUPERT 03/26/99</p> <p>REFERENCE: 1262D49</p> <p>APPLICATION: VARIOUS</p> <p>USER/FILE: PSCS/NAMEPL</p>	<p>DESCRIPTION: BLANK NAMEPLATE</p> <p>SIZE: D</p> <p>PART NUMBER: 626112</p> <p>SCALE: 2:1</p> <p>NOTICE: 99AND130</p> <p>SHEET: 1</p>
---	---	--	---