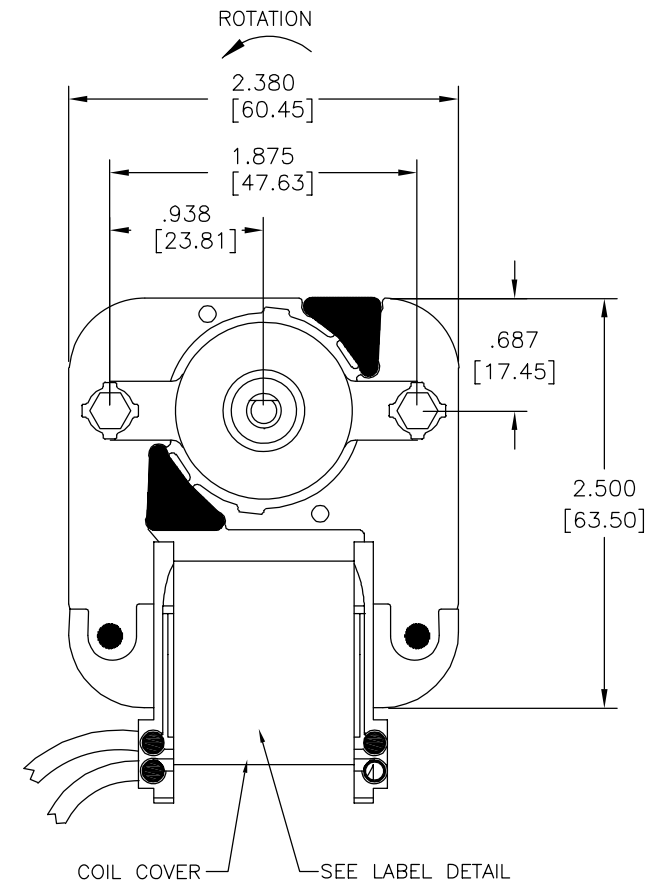
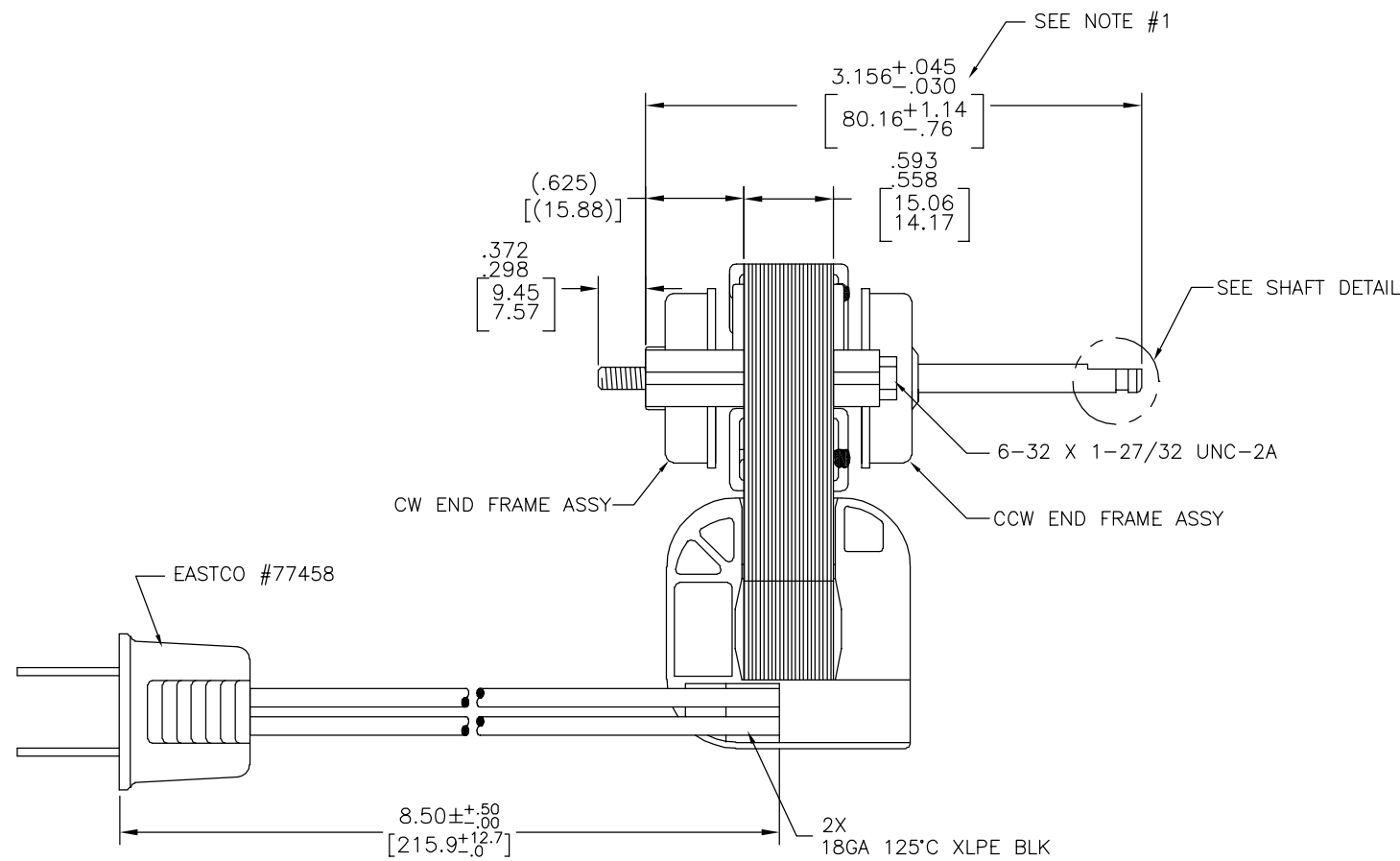
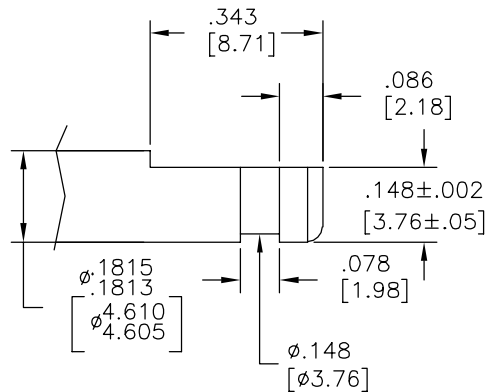


REV	ECO	REV BY	DATE	APPD	DATE
M	ECO-0046631	M.GU	03-05-2014	A.SUN	03-05-2014



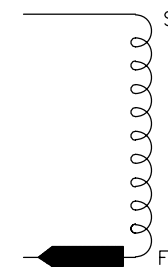
SHAFT DETAIL 2 X SIZE



NOTES:

1. MEASURED WITH ENDPLAY REMOVED.
2. SEE 570106 FOR PLACEMENT OF LABEL 2516815-011.
3. PLACE PAD 540052 ON TOP OF SKID, BOXES TO BE PLACED ON PAD, PLACE PAD BETWEEN EVERY TWO LAYERS

SCHEMATIC DIAGRAM



LABEL DETAIL

Century®
 MDL 57N2
 120V 60HZ .80A
 TPL CL "B"
 MDL 57PC TP
 CBR216

 MADE IN MEXICO
 UL507 COIL COVER

ROTATION:	CCWSE
END PLAY:	.060[1.52]MAX

GEOMETRIC CHARACTERISTICS & SYMBOLS

- FLATNESS
- STRAIGHTNESS
- ∠ ANGULARITY
- ⊥ PERPENDICULARITY (SQUARENESS)
- // PARALLELISM
- ROUNDNESS (CIRCULARITY)
- ⊘ CYLINDRICITY
- △ PROFILE OF ANY SURFACE
- ∩ PROFILE OF ANY LINE
- ↗ RUNOUT
- ⊕ TRUE POSITION
- ◎ CONCENTRICITY
- ≡ SYMMETRY

ASME Y14.5M 1994

UNLESS OTHERWISE SPECIFIED DIM. TOLERANCES ARE AS FOLLOWS:

INCH	±.1	±.02	±.005	±.0005
mm	±0.5	±0.13	±0.013	

ANG. ±.50 DEG
 REMOVE BURRS & BREAK SHARP EDGES:
 INCH .003-.015 mm 0.1-0.4
 CORNER FILLETS TO:
 INCH .020 mm 0.5
 MACHINE SURFACES:
 INCH 125 mm 3.2

METRIC DIMS. SHOWN IN [BRACKETS]

DR BY: CHERRY Z 07-12-2010

APPD: KG 07-12-2012

THIRD ANGLE PROJECTION

EDS DATE 11-11-2011
 FORMAT REV H

CONFIDENTIAL: THIS DRAWING AND ITS INFORMATION ARE THE EXCLUSIVE AND CONFIDENTIAL PROPERTY OF REGAL-BELOIT CORPORATION AND ARE NOT TO BE DISCLOSED, DUPLICATED, DISTRIBUTED OR OTHERWISE USED WITHOUT THE WRITTEN CONSENT OF REGAL-BELOIT CORPORATION. -ALL RIGHTS RESERVED.

REGAL REGAL-BELOIT CORPORATION

DESCRIPTION: MODEL-SFHP-C-FR OUTLINE

SIZE: C DWG NO: CBR216

SCALE: NONE SHEET: 1