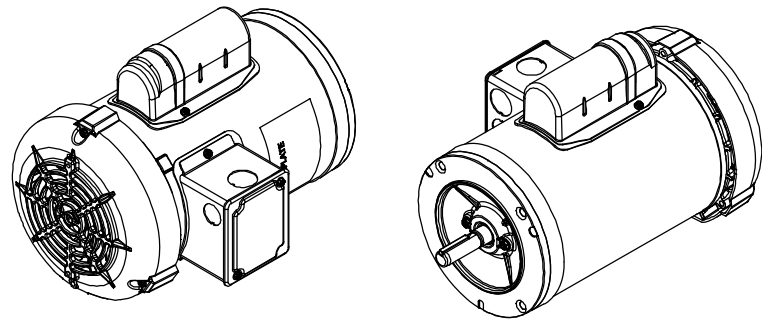


KEY TO SECURE TO NAMEPLATE WITH TAPE, AS SHOWN PRIOR TO SHIPPING



DRAWING REVISION B	REVISION BY A. SUPPANAVAR	DATE 05/09/2018	TOLERANCES UNLESS OTHERWISE SPECIFIED: DEC. INCH mm ANGLE .X ±0.1 [±2.5] ±0.5° .XX ±0.02 [±0.51] .XXX ±0.005 [±0.127] .XXXX ±0.0005 [±0.0127]	DRAWN BY A. SUPPANAVAR	Regal Beloit America, Inc.
ECO-0144723	APPROVED BY SM	DATE 05/09/2018	APPROVED BY SM	DATE 05/09/2018	
ECO DESCRIPTION ISOMETRIC VIEW CHANGE.			REMOVE BURRS & BREAK SHARP EDGES - .0031 [078/381] X 45° CORNER FILLETS - R.02 [51] MACHINED SURFACES: .125/ 3.2 INCH/ mmv	REFERENCE OLME180503	DESCRIPTION OUTLINE 56H FR, TEFC, C-FACE, ROUND
<small>COPYRIGHT REGAL BELOIT AMERICA, INC. ALL RIGHTS RESERVED. PROPRIETARY AND CONFIDENTIAL INFORMATION. THIS DOCUMENT IS THE PROPERTY OF REGAL BELOIT AMERICA, INC. FORMERLY AND CONTAINS OWNERS PROPRIETARY INFORMATION. ANY PERSON, CORPORATION OR OTHER FIRM RECEIVING IT IS DEEMED BY RECEIVING IT, TO AGREE THAT IT, AND/OR ANY PART OF IT, SHALL NOT BE DISCLOSED TO ANY PERSON, CORPORATION OR OTHER ENTITY, DUPLICATED, AND/OR USED, EXCEPT AS EXPRESSLY APPROVED IN WRITING IN ADVANCE BY OWNER. THIS DOCUMENT SHALL BE RETURNED TO OWNER UPON REQUEST. IT MAY BE SUBJECT TO CERTAIN RESTRICTIONS UNDER APPLICABLE EXPORT CONTROL LAWS AND REGULATIONS.</small>			THIRD ANGLE PROJECTION	MATERIAL	PROCESS/FINISH
			SIZE C	DRAWING NUMBER OL56100461-001	SHEET 1 OF 1