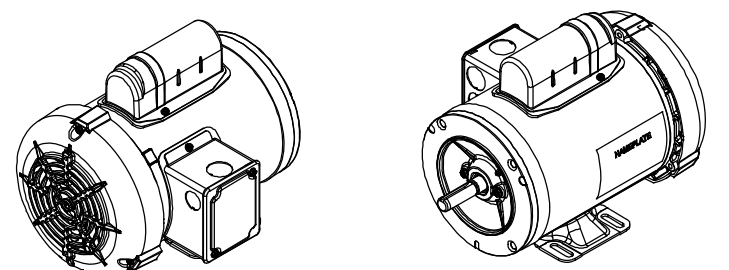
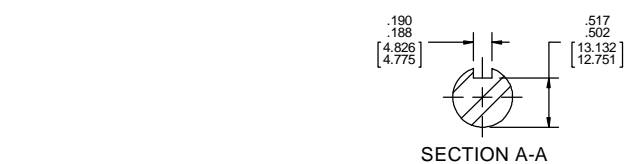
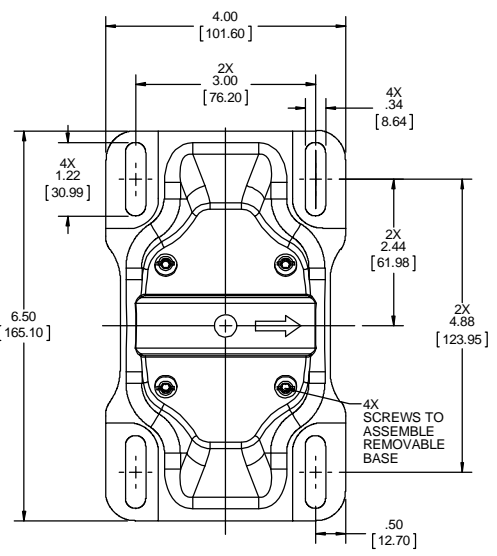


KEY TO BE SECURE TO NAMEPLATE WITH TAPE, AS SHOWN PRIOR TO SHIPPING

NAMEPLATE READ FROM TOP DOWN LOCATE AT 9:00 O'CLOCK.



DRAWING REVISION A		REVISION BY	DATE	TOLERANCES UNLESS OTHERWISE SPECIFIED:		DRAWN BY AS		Regal Beloit America, Inc.	
ECO-0141959		APPROVED BY	DATE	DEC.	INCH	mm	ANGLE		DATE 04/03/2018
ECO DESCRIPTION		NEW DRAWING		.X	±0.1	[±2.5]	±0.5°	APPROVED BY PVR	
COPYRIGHT REGAL BELOIT AMERICA, INC. ALL RIGHTS RESERVED. PROPRIETARY AND CONFIDENTIAL INFORMATION. THIS DOCUMENT IS THE PROPERTY OF REGAL BELOIT AMERICA, INC. FORMERLY AND CONTAINS OWNERS PROPRIETARY INFORMATION. ANY PERSON, CORPORATION OR OTHER FIRM RECEIVING IT IS DEEMED BY RECEIVING IT, TO AGREE THAT IT, AND/OR ANY PART OF IT, SHALL NOT BE DISCLOSED TO ANY PERSON, CORPORATION OR OTHER ENTITY, DUPLICATED, AND/OR USED, EXCEPT AS EXPRESSLY APPROVED IN WRITING IN ADVANCE BY OWNER. THIS DOCUMENT SHALL BE RETURNED TO OWNER UPON REQUEST. IT MAY BE SUBJECT TO CERTAIN RESTRICTIONS UNDER APPLICABLE EXPORT CONTROL LAWS AND REGULATIONS.				.XXX		±0.005	[±0.127]	DATE 04/03/2018	
				.XXXX		±0.0005	[±0.0127]	REFERENCE OLME174738-001	
				REMOVE BURRS & BREAK SHARP EDGES: .0031 [0.078] [381] X 45° CORNER FILLETS: R.02 [51]		MACHINED SURFACES: 125 / 3.2		THIRD ANGLE PROJECTION	DESCRIPTION 56FR, TEFC, C-FACE, 1-PHASE, RIGID-REMOVABLE
				mm SHOWN IN [BRACKETS]		INCH / mmv		MATERIAL OLME	
								SIZE DRAWING NUMBER OL56100325-001	
								PROCESS/FINISH	
								SHEET 1 OF 1	