

4 3 2 1

REV	ECO	REV BY	DATE	APPD	DATE
J	0025540	L. BERNAL	04-23-2012	D. BALDERRAMA	04-23-2012

GENERAL INFORMATION:

SHAFT RUNOUT: .001 [.03] T.I.R. PER INCH LENGTH OF EXTENSION

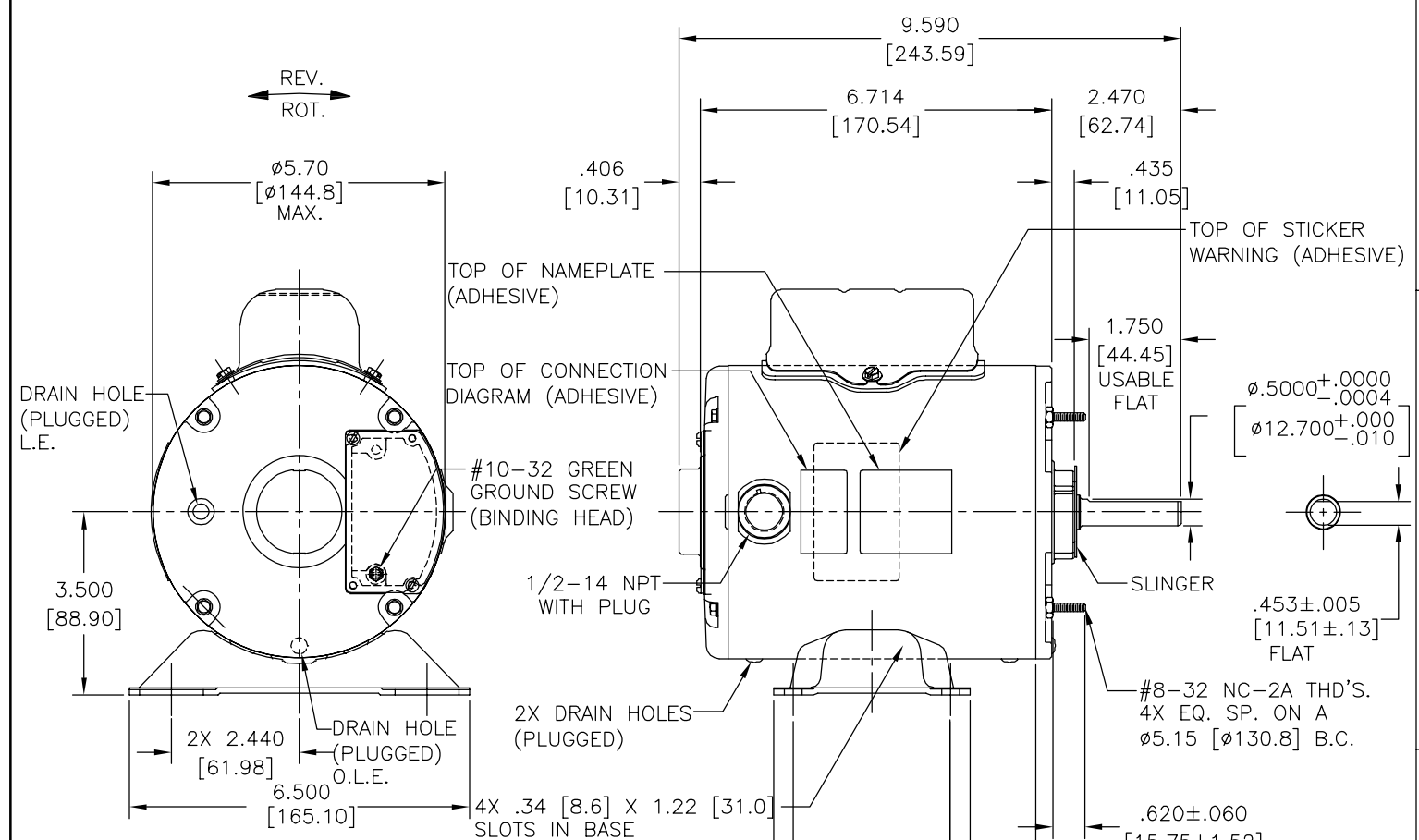
BEARINGS: BALL

MOUNTING POSITION: HORIZONTAL

ELECTRICAL DATA:

OVERLOAD PROTECTOR: AUTOMATIC RESET (T.I. 7AM 036)

LEADS: NO. 18 GA., .03 [.8] THK. XLP 125°C INSUL.



RED	CONNECTED TO CAPACITOR	.25 [6.4] FLAG
RED	CONNECTED TO CAPACITOR	.25 [6.4] FLAG
YELLOW	5.0/6.0 [127/152]	.25 [6.4] FLAG
BLACK	5.0/6.0 [127/152]	.25 [6.4] FLAG
ORANGE	5.0/6.0 [127/152]	.25 [6.4] FLAG
WHITE	5.0/6.0 [127/152]	.25 [6.4] FLAG
RED	5.0/6.0 [127/152]	.25 [6.4] FLAG
BROWN	5.0/6.0 [127/152]	.25 [6.4] FLAG
YELLOW/BLACK	5.0/6.0 [127/152]	.25 [6.4] FLAG
COLOR	LENGTH	TERMINAL OR STRIP LENGTH

NOTES:
1. MOTOR TO BE SHIPPED CONNECTED FOR CCWLE ROTATION AND 115 VOLTS.

MAIN FRAME - OLE	ENCLOSED
END FRAME - OLE	ENCLOSED
MAIN FRAME - LE	ENCLOSED
END FRAME - LE	ENCLOSED

CUSTOMER	DISTRIBUTION SERVICE
----------	----------------------

NAMEPLATE DATA:	EXTERNAL CONNECTION DIAGRAM
MODEL NO.: F48AA15A01 CUST. P/N: C723V1A HP: 1/3 ROT.: REVERSIBLE RPM: 1075/900 TYPE: UF FRAME: 48Y VOLTS: 115/200-230 PH: 1 AMPS: 6.4/3.6-3.1 HZ: 60/50 INS.: B AMB.: 65° C DUTY: AIR OVER CAP.: 6 MFD/440 V ENCL: ENCLOSED UL LOGO CSA LOGO THERMALLY PROTECTED	<p>614131-345</p>

PERFORMANCE CURVE NO.	TORQUE @ 1075 RPM (25°C)	APPROVED SAMPLE	UL COMPONENT FILE #	CCN #	CSA FILE #	CLASS #
C32774	36.3 OZ. FT.	0701181A	E46412	PRGY2	LR43341	4211-01

GEOMETRIC CHARACTERISTICS & SYMBOLS

- FLATNESS
- STRAIGHTNESS
- ∠ ANGULARITY
- ⊥ PERPENDICULARITY (SQUARENESS)
- ∥ PARALLELISM
- ROUNDNESS (CIRCULARITY)
- ⊘ CYLINDRICITY
- △ PROFILE OF ANY SURFACE
- ∩ PROFILE OF ANY LINE
- ↗ RUNOUT
- ⊕ TRUE POSITION
- ◎ CONCENTRICITY
- ≡ SYMMETRY

ASME Y14.5M 1994

REGAL-BELOIT CORPORATION (RBC) PROVIDES TECHNICAL ASSISTANCE TO OUR CUSTOMERS IN SEVERAL AREAS. SINCE RBC DOES NOT RECEIVE ALL DATA CONCERNING THE USE AND APPLICATION OF THE MOTOR, THE SUITABILITY OF THE MOTOR FOR THE APPLICATION MUST BE DETERMINED BY THE CUSTOMER.

DIMENSIONS WITHOUT TOLERANCES ARE FOR REFERENCE ONLY.

DR BY: ZHU HONG 11-20-2007

APPD: TR 02-25-2008

EDS DATE 11-11-2011

FORMAT REV G

THIRD ANGLE PROJECTION

CONFIDENTIAL: THIS DRAWING AND ITS INFORMATION ARE THE EXCLUSIVE AND CONFIDENTIAL PROPERTY OF REGAL-BELOIT CORPORATION AND ARE NOT TO BE DISCLOSED, DUPLICATED, DISTRIBUTED OR OTHERWISE USED WITHOUT THE WRITTEN CONSENT OF REGAL-BELOIT CORPORATION. -ALL RIGHTS RESERVED.

REGAL-BELOIT CORPORATION

DESCRIPTION: MODEL-RFHP-48FR OUTLINE

SIZE: C DWG NO: C723V1A

SCALE: NONE SHEET 1

4 3 2 1

4 3 2 1

REVISION:	ECO	REVISADO POR:	FECHA:	APROBADO POR:	FECHA:
J	0025540	L. BERNAL	04-23-2012	D. BALDERRAMA	04-23-2012

INFORMACION GENERAL:

OSCILACION DE FLECHA: .001 [.03] T.I.R. PER INCH LENGTH OF EXTENSION

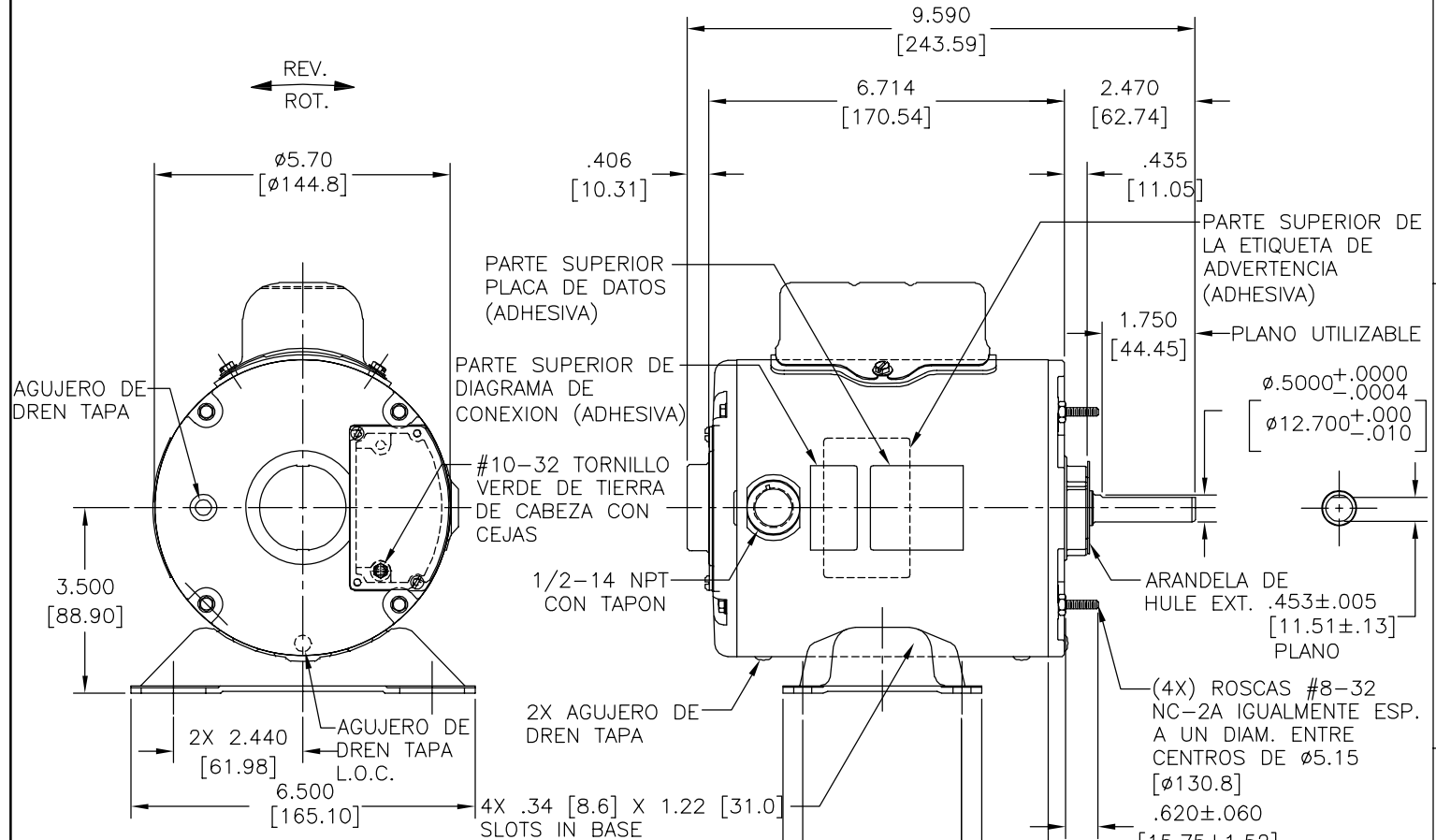
BALEROS: BALERO

POSICION DEL MONTAJE: HORIZONTAL

INFORMACION ELECTRICA:

PROTECTOR DE SOBRECARGA: REINICIO AUTOMATIC (T.I. 7AM 036)

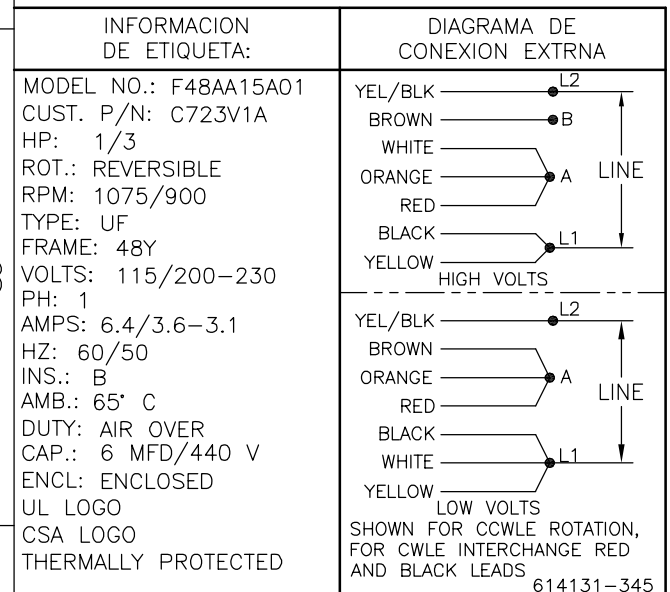
CABLES: NO. 18 GA., .03 [.8] THK. XLP 125°C AISLAM.



ROJO	CONECTADO AL CAPACITOR	.25 [6.4]	BANDERA
ROJO	CONECTADO AL CAPACITOR	.25 [6.4]	BANDERA
AMARILLO	5.0/6.0 [127/152]	.25 [6.4]	BANDERA
NEGRO	5.0/6.0 [127/152]	.25 [6.4]	BANDERA
NARANJA	5.0/6.0 [127/152]	.25 [6.4]	BANDERA
BLANCO	5.0/6.0 [127/152]	.25 [6.4]	BANDERA
ROJO	5.0/6.0 [127/152]	.25 [6.4]	BANDERA
CAFE	5.0/6.0 [127/152]	.25 [6.4]	BANDERA
AMARILLO/NEGRO	5.0/6.0 [127/152]	.25 [6.4]	BANDERA
COLOR	LONGITUD	TERMINAL O LONGITUD DE DESFORRE	

CARCASA - LOC	ENCERRADO
TAPA - LOC	ENCERRADO
CARCASA - LC	ENCERRADO
TAPA - LC	ENCERRADO

CLIENTE	DISTRIBUTION SERVICE
---------	----------------------



CURVAS DE FUNCIONAMIENTO	TORSION @ 1075 RPM (25°C)	MUESTRA APROBADA	COMPONENTE UL	CSA
C32774	36.3 OZ. FT.	0701181A	#ARCHIVO CCN #	#ARCHIVO CLASE #
			E46412 PRGY2	LR43341 4211-01

CARACTERISTICAS DE GEOMETRIA Y SIMBOLOS

- PLANICIDAD
- RECTITUD
- ∠ ANGULARIDAD
- ⊥ PERPENDICULARIDAD (A ESCUADRA)
- // PARALELISMO
- REDONDEZ (CIRCULARIDAD)
- ⊘ CILINDRICIDAD
- △ PERFIL DE CUALQUIER SUPERFICIE
- ▽ PERFIL DE CUALQUIER LINEA
- ∇ VARIACION
- ⊕ POSICION REAL
- ⊙ CONCENTRICIDAD
- ≡ SIMETRIA

ASME Y14.5M 1994

REGAL-BELOIT CORPORATION (RBC) PROVEE ASISTENCIA TECNICA A NUESTROS CLIENTES EN VARIAS AREAS DESDE QUE RBC NO RECIBE TODOS LOS DATOS EN RELACION AL USO Y A LA APLICACION DEL MOTOR, LA APLICACION ADECUADA DEL MOTOR DEBE SER DETERMINADA POR EL CLIENTE.

DIMENSIONES SIN TOLERANCIA SON DE REFERENCIA SOLAMENTE

DIBUJADO POR: ZHU HONG 11-20-2007

APROBADO POR: TR 02-25-2008

TERCER ANGULO DE PROYECCION

FECHA EDS: 11-11-2011

REV. FORMATO: G

CONFIDENCIAL: ESTE DIBUJO Y SU INFORMACION SON PROPIEDAD DE USO EXCLUSIVO Y CONFIDENCIAL DE REGAL-BELOIT CORPORATION. Y NO DEBERAN SER REVELADOS, DUPLICADOS, DISTRIBUIDOS O USARSE DE OTRA MANERA SIN EL CONSENTIMIENTO ESCRITO DE REGAL-BELOIT CORPORATION. -TODOS LOS DERECHOS RESERVADOS.

REGAL-BELOIT CORPORATION

DESCRIPCION: MODEL-RFHP-48FR OUTLINE

TAMAÑO: C NUMERO DE DIBUJO: C723V1A

ESCALA: NONE HOJA: 1

4 3 2 1

4 3 2 1

总技术要求:

轴跳动: .001[.03]/1[25.4]外伸轴

轴承: 球轴承

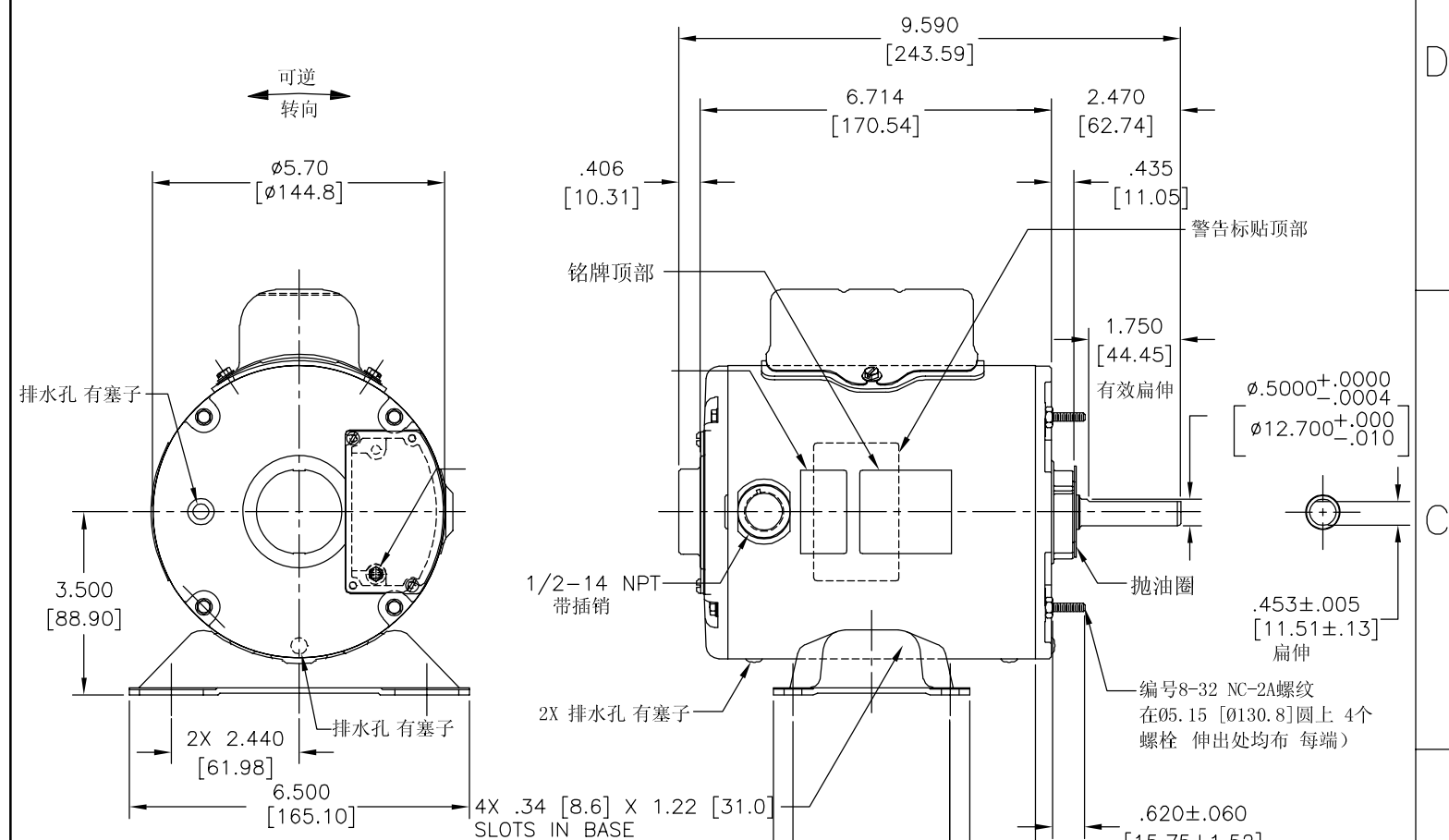
安装位置: 水平

电气数据:

过载保护: 自动复位 (T.I. 7AM 036)

引线: 18# (美制标准), 厚.03[.8] XLP 125° C 绝缘

版本	ECO	编制	日期	批准	日期
J	0025540	L. BERNAL	04-23-2012	D. BALDERRAMA	04-23-2012



红		.25 [6.4] 旗形插
红		.25 [6.4] 旗形插
蓝	5.0/6.0 [127/152]	.25 [6.4] 旗形插
黑	5.0/6.0 [127/152]	.25 [6.4] 旗形插
棕	5.0/6.0 [127/152]	.25 [6.4] 旗形插
白	5.0/6.0 [127/152]	.25 [6.4] 旗形插
红	5.0/6.0 [127/152]	.25 [6.4] 旗形插
棕	5.0/6.0 [127/152]	.25 [6.4] 旗形插
蓝/黑	5.0/6.0 [127/152]	.25 [6.4] 旗形插
颜色	长度	端子或剥线长度

无引线端机壳	密封
无引线端端盖	密封
有引线端机壳	密封
有引线端端盖	密封

用户	DISTRIBUTION SERVICE
----	----------------------

铭牌数据	外部数据线																														
MODEL NO.: F48AA15A01 CUST. P/N: C723V1A HP: 1/3 ROT.: REVERSIBLE RPM: 1075/900 TYPE: UF FRAME: 48Y VOLTS: 115/200-230 PH: 1 AMPS: 6.4/3.6-3.1 HZ: 60/50 INS.: B AMB.: 65° C DUTY: AIR OVER CAP.: 6 MFD/440 V ENCL: ENCLOSED UL LOGO CSA LOGO THERMALLY PROTECTED	<table border="0"> <tr> <td>YEL/BLK</td> <td>L2</td> <td rowspan="5">LINE</td> </tr> <tr> <td>BROWN</td> <td>B</td> </tr> <tr> <td>WHITE</td> <td>A</td> </tr> <tr> <td>ORANGE</td> <td>A</td> </tr> <tr> <td>RED</td> <td>A</td> </tr> <tr> <td colspan="3">HIGH VOLTS</td> </tr> <tr> <td>YEL/BLK</td> <td>L2</td> <td rowspan="5">LINE</td> </tr> <tr> <td>BROWN</td> <td>B</td> </tr> <tr> <td>ORANGE</td> <td>A</td> </tr> <tr> <td>RED</td> <td>A</td> </tr> <tr> <td>BLACK</td> <td>L1</td> </tr> <tr> <td>WHITE</td> <td>L1</td> </tr> <tr> <td>YELLOW</td> <td>L1</td> <td>LOW VOLTS</td> </tr> </table> <p>614131-345</p> <p>SHOWN FOR CCWLE ROTATION, FOR CWLE INTERCHANGE RED AND BLACK LEADS</p>	YEL/BLK	L2	LINE	BROWN	B	WHITE	A	ORANGE	A	RED	A	HIGH VOLTS			YEL/BLK	L2	LINE	BROWN	B	ORANGE	A	RED	A	BLACK	L1	WHITE	L1	YELLOW	L1	LOW VOLTS
YEL/BLK	L2	LINE																													
BROWN	B																														
WHITE	A																														
ORANGE	A																														
RED	A																														
HIGH VOLTS																															
YEL/BLK	L2	LINE																													
BROWN	B																														
ORANGE	A																														
RED	A																														
BLACK	L1																														
WHITE	L1																														
YELLOW	L1	LOW VOLTS																													

性能曲线编号	转矩在 @ 1075 RPM (25°C)	批准样品	UL部件		CSA	
C32774	36.3 OZ. FT.	0701181A	文件号	指南	文件号	指南
			E46412	PRGY2	LR43341	4211-01

- 形位公差
- 平面度
- 直线度
- ∠ 倾斜度
- ⊥ 垂直度
- ∥ 平行度
- 圆度
- ⊘ 圆柱度
- ⌒ 面轮廓度
- ⌒ 线轮廓度
- ⊙ 圆跳动
- ⊙ 位置度
- ⊙ 同轴度
- ≡ 对称度

REGAL-BELOIT CORPORATION (RBC) 在个别领域为客户提供技术支持。鉴于RBC未收到任何涉及电机使用和应用环境的数据, 电机的适用性由客户自己决定。

未注公差尺寸仅供参考。

ASME Y14.5M 1994

绘图: ZHU HONG 11-20-2007

批准: TR 02-25-2008

第三角投影

图纸格式发布日期 11-11-2011

图纸格式版本 G

机密: 本图纸及相关信息所有权归REGAL-BELOIT CORPORATION。未经REGAL-BELOIT CORPORATION书面授权, 不得泄露、复制、传播或作其他用途。一版权所有

名称: MODEL-RFHP-48FR OUTLINE

图幅: C 图号: C723V1A

比例: NONE 页号: 1

4 3 2 1