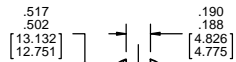
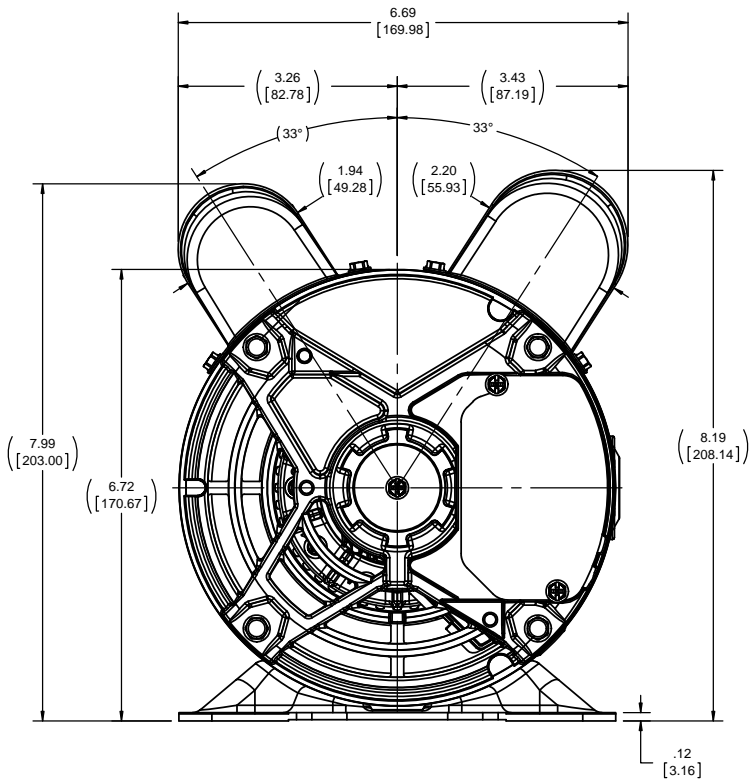
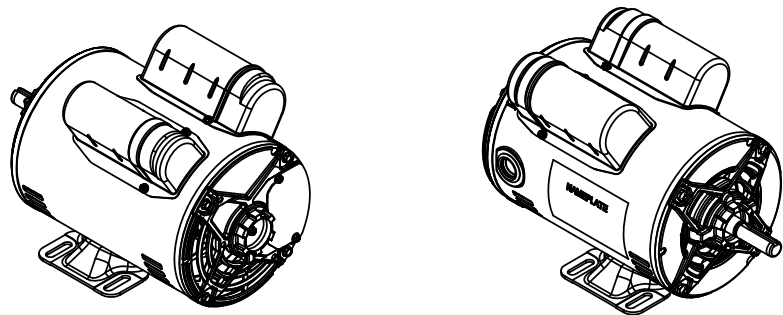


Uncontrolled Copy



SECTION A-A



THREADED HOLE
1/2-14 NPSM
PLUGGED

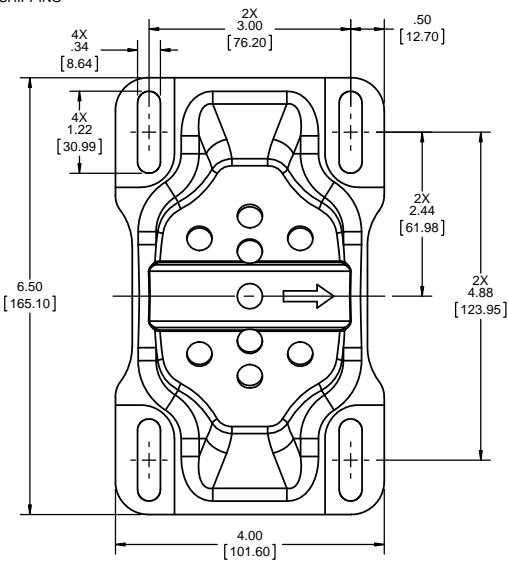
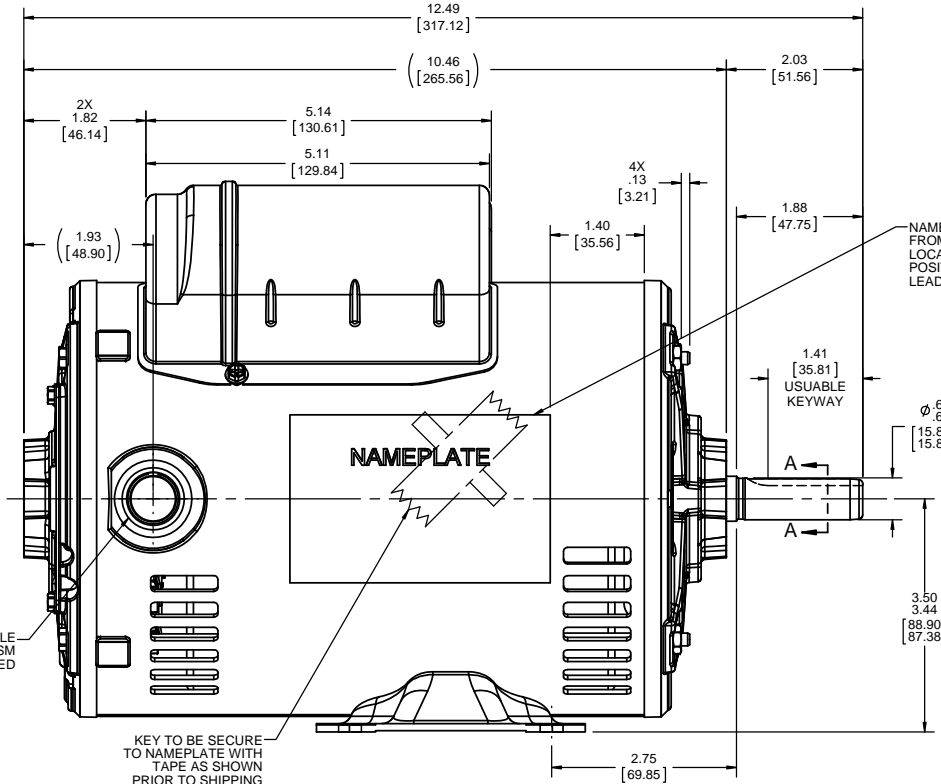
KEY TO BE SECURE
TO NAMEPLATE WITH
TAPE AS SHOWN
PRIOR TO SHIPPING

NAMEPLATE READ
FROM TOP DOWN
LOCATE AT 3:00 O'CLOCK
POSITION AT OPPOSITE
LEAD END

1.41
[35.81]
USUABLE
KEYWAY

Ø .6250
.6245
[15.8750]
[15.8623]

3.50
3.44
[88.90]
[87.38]



DRAWING REVISION A	REVISION BY D.VALENCIANO	DATE 10-27-2016	TOLERANCES UNLESS OTHERWISE SPECIFIED: DEC. INCH mm ANGLE X ±0.1 [±2.5] 30.5° XX ±0.03 [±0.76] XXX ±0.005 [±0.127] .XXXX ±0.0005 [±0.0127]	DRAWN BY D.VALENCIANO	Regal Beloit America, Inc.	
ECO ECO-0111711	APPROVED BY	DATE	DATE 10-27-2016	APPROVED BY J.ORTEGA		
NEW MODEL RELEASE			REMOVE BURRS & BREAK SHARP EDGES: .003/.015 [0.076/.381] X 45° CORNER FILLETS: R.02 [.51] MACHINED SURFACES: .125 /mm 3/2 mm SHOWN IN [BRACKETS]	DATE 10-27-2016	DESCRIPTION OUTLINE 56FR,ODP,1-PHASE,RIGID	
<small>COPYRIGHT REGAL BELOIT AMERICA, INC. ALL RIGHTS RESERVED. PROPRIETARY AND CONFIDENTIAL INFORMATION - THIS DOCUMENT IS THE PROPERTY OF REGAL BELOIT AMERICA, INC. FORMER AND CONTAINS OWNER'S PROPRIETARY INFORMATION. ANY PERSON, CORPORATION OR OTHER FIRM RECEIVING IT IS DEEMED, BY RECEIVING IT, TO AGREE THAT IT, AND/OR ANY PART OF IT, SHALL NOT BE DISCLOSED TO ANY PERSON, CORPORATION OR OTHER ENTITY, DUPLICATED, AND/OR USED, EXCEPT AS EXPRESSLY APPROVED IN WRITING IN ADVANCE BY OWNER. THIS DOCUMENT SHALL BE RETURNED TO OWNER UPON REQUEST. IT MAY BE SUBJECT TO CERTAIN RESTRICTIONS UNDER APPLICABLE EXPORT CONTROL LAWS AND REGULATIONS.</small>			REFERENCE	MATERIAL	PROCESS FINISH	
			THIRD ANGLE PROJECTION	SIZE C	DRAWING NUMBER OL56100174-001	SHEET 1 OF 1