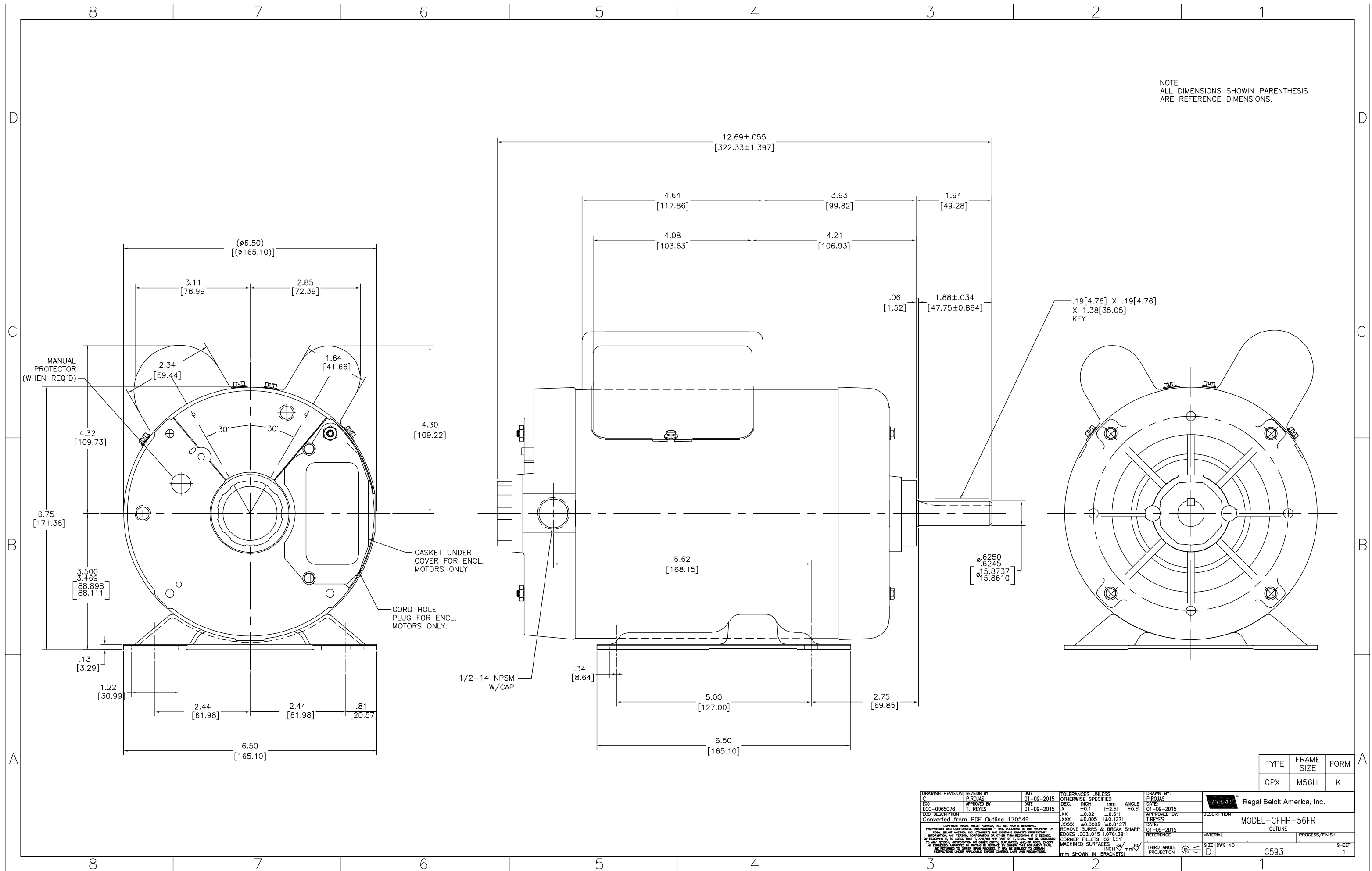


NOTE
ALL DIMENSIONS SHOWIN PARENTHESIS
ARE REFERENCE DIMENSIONS.



TYPE	FRAME SIZE	FORM
CPX	M56H	K

DRAWING REVISION C ECO-0065076 Converted from PDF Outline 170549	REVISION BY P. ROJAS T. REYES	DATE 01-09-2015 01-09-2015	TOLERANCES UNLESS OTHERWISE SPECIFIED DEC: INCH FORM ANGLE X ±0.1 (±2.5) ±0.5° .XX ±0.02 (±0.51) .XXX ±0.005 (±0.127) .XXXX ±0.0005 (±0.0127)	DRAWN BY: P. ROJAS DATE: 01-09-2015	Regal Beloit America, Inc. DESCRIPTION MODEL-CFHP-56FR OUTLINE
APPROVED BY: T. REYES DATE: 01-09-2015	APPROVED BY: T. REYES DATE: 01-09-2015	APPROVED BY: T. REYES DATE: 01-09-2015	APPROVED BY: T. REYES DATE: 01-09-2015	REFERENCE	
<small> COPYRIGHT REGAL BELOIT AMERICA, INC. ALL RIGHTS RESERVED. PROPRIETARY AND CONFIDENTIAL INFORMATION - THIS DOCUMENT IS THE PROPERTY OF REGAL BELOIT AMERICA, INC. (HEREIN) AND CONTAINS OWNERS' PROPRIETARY INFORMATION AND PERSONAL CONFIDENTIAL OR OTHER FIRM RECORDS. IT IS ISSUED BY REGAL BELOIT AMERICA, INC. AND/OR ANY PART OF IT. SHALL NOT BE DISCLOSED TO ANY PERSON, CORPORATION OR OTHER ENTITY, ORGANIZATION, AND/OR USER, EXCEPT AS EXPRESSLY APPROVED IN WRITING IN ADVANCE BY OWNER. THIS DOCUMENT SHALL BE RETURNED TO OWNER UPON REQUEST. IT MAY BE SUBJECT TO OTHER RESTRICTIONS UNDER APPLICABLE EXPORT CONTROL LAWS AND REGULATIONS. </small>			REMOVE BURRS & BREAK SHARP EDGES .003-.015 (.076-.381) CORNER FILLETS .02 (.51) MACHINED SURFACES .02 (.51) INCH/mm mm SHOWN IN BRACKETS!	THIRD ANGLE PROJECTION SIZE/DWG NO D/C593	SHEET 1