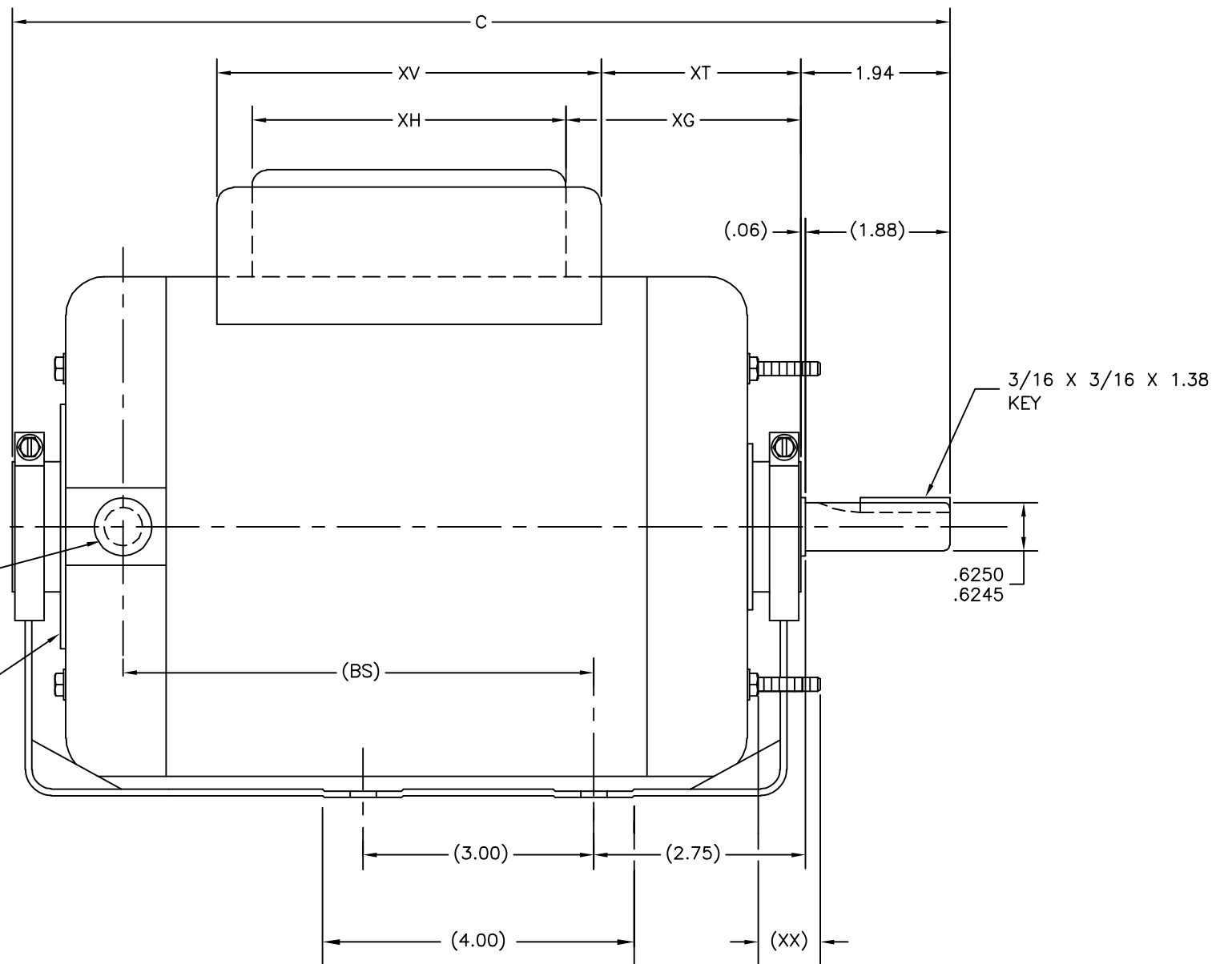
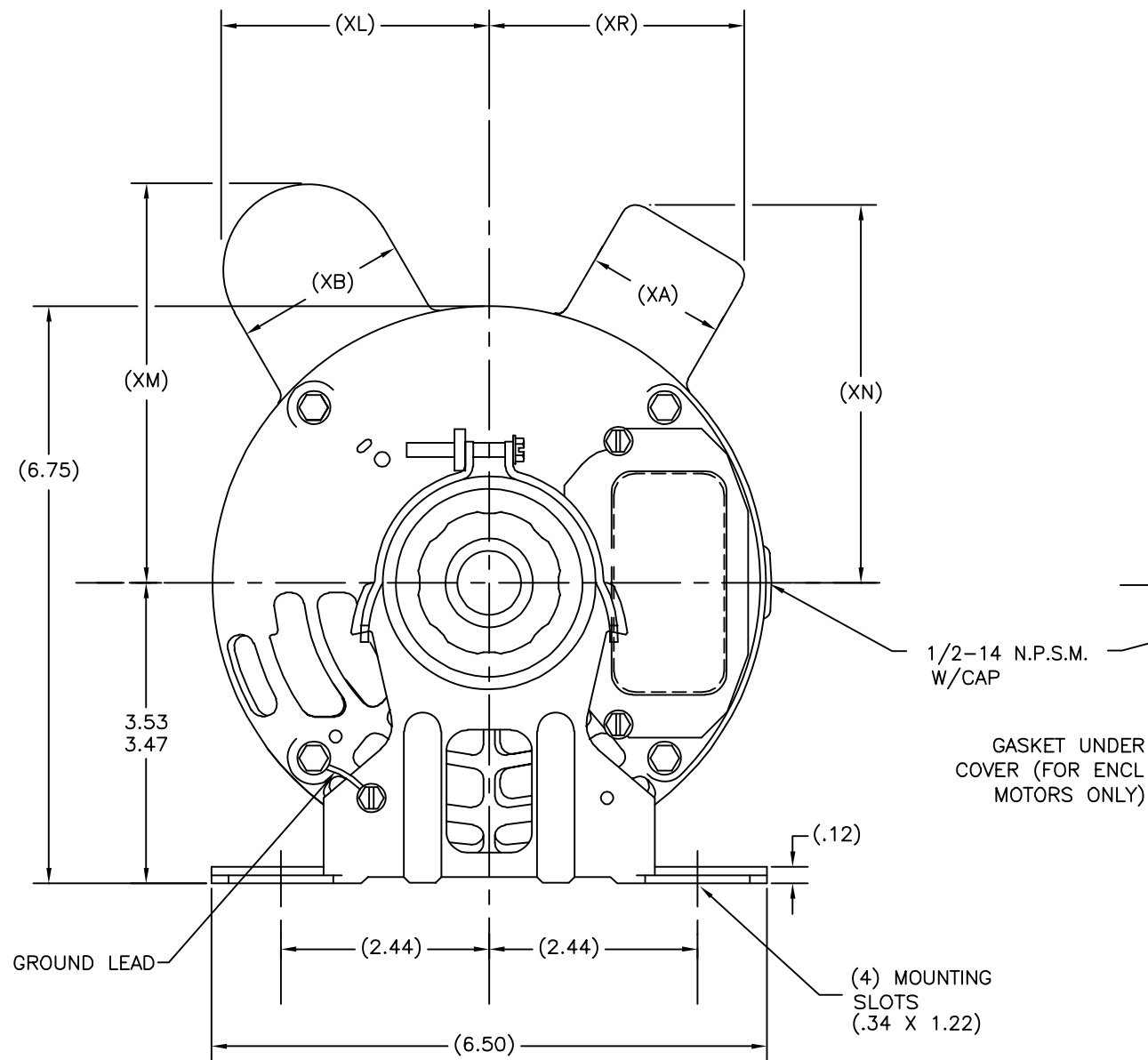


REV	ECO	REV BY	DATE	APPD	DATE
H	0025372	E.SINECIO	04-13-2012	R.RASCON	04-13-2012

GROUP	FRAME	"C"	(BS)	(XA)	(XB)	(XG)	(XH)	(XL)	(XM)	(XN)	(XR)	(XT)	(XV)	(XX)
-01	M56	12.69	6.63	2.34	1.64	3.46	4.08	2.80	4.40	4.38	3.30	2.29	5.28	.75
-02	K56	11.44	5.38	2.34	1.64	3.21	4.08	2.80	4.40	4.38	3.30	2.04	5.28	.75
-03	J56	11.07	5.00	2.34	1.64	2.84	4.08	2.80	4.40	4.38	3.30	1.64	5.28	.75

NOTES:

- 1 PILOT DIAMETER IS CONCENTRIC WITH SHAFT CENTERLINE WITHIN .004 T.I.R.
- 2 FACE OF MOUNTING FLANGE IS PERPENDICULAR TO SHAFT CENTERLINE WITHIN .004 T.I.R.
- 3 SHAFT RUNOUT NOT TO EXCEED .002 T.I.R.
- 4 END PLAY NOT TO EXCEED .010 MEASURED WITH NO THRUST
- 5 ALL DIMENSIONS SHOWN IN PARENTHESIS ARE REFERENCE DIMENSIONS. ALL OTHER DIMENSIONS ARE TOLERANCED PER THE FOLLOWING CHART UNLESS OTHERWISE SPECIFIED.  
 "C" DIM. = +/- .055  
 SHAFT EXT. = +/- .034  
 LEAD LENGTHS = +/- 1.00  
 EXTENDED THRU-BOLTS = +/- .050  
 ANGULAR DIMS. = +/- 2 DEGS.



1/2-14 N.P.S.M. W/CAP  
 GASKET UNDER COVER (FOR ENCL MOTORS ONLY)

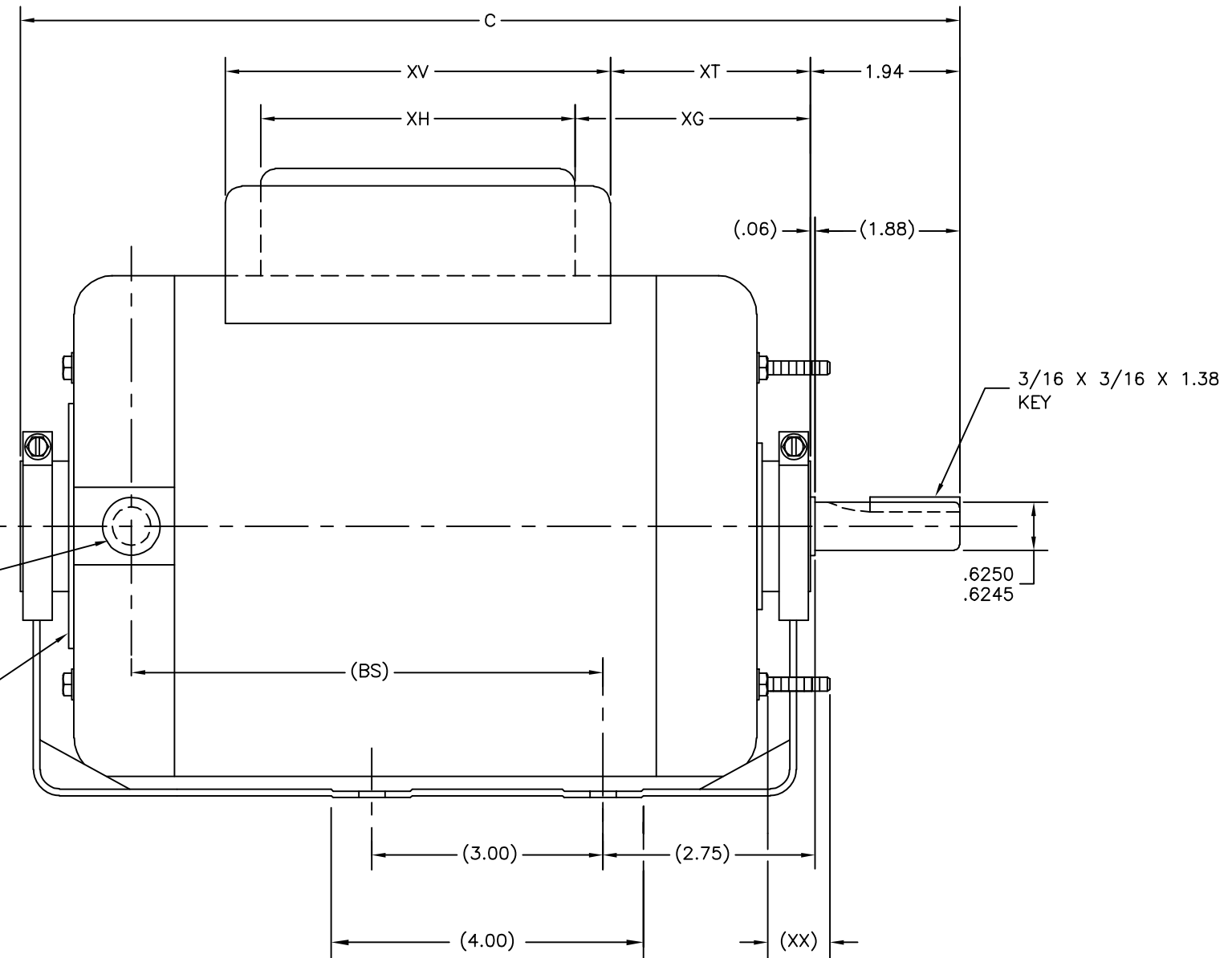
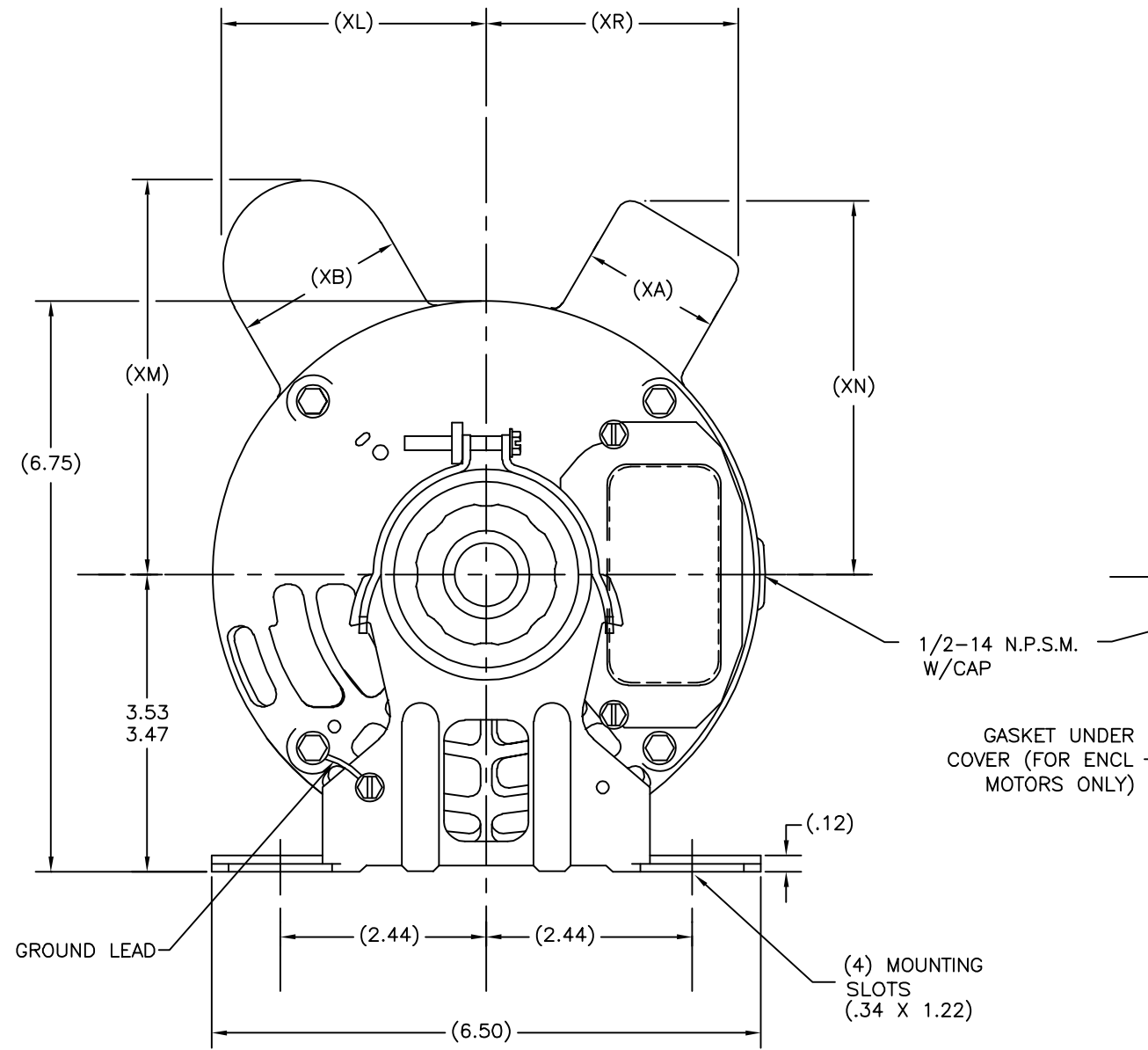
GEOMETRIC CHARACTERISTICS & SYMBOLS □ FLATNESS — STRAIGHTNESS ∠ ANGULARITY ⊥ PERPENDICULARITY (SQUARENESS) // PARALLELISM ○ ROUNDNESS (CIRCULARITY) ⌀ CYLINDRICITY ≡ PROFILE OF ANY SURFACE ⤴ PROFILE OF ANY LINE ⤵ RUNOUT ⊕ TRUE POSITION ⊙ CONCENTRICITY = SYMMETRY	UNLESS OTHERWISE SPECIFIED DIM. TOLERANCES ARE AS FOLLOWS: INCH .1 ±.02 ±.005 ±.0005 mm ±0.5 ±0.13 ±0.013 ANG. ±.50 DEG REMOVE BURRS & BREAK SHARP EDGES: INCH .003-.015 mm 0.1-0.4 CORNER FILLETS TO: INCH .020 mm 0.5 MACHINE SURFACES: INCH 125 mm 3.2 METRIC DIMS. SHOWN IN [BRACKETS]	DR BY:	REGAL-BELOIT CORPORATION MODEL-CFHP-56FR OUTLINE
		APPD: THIRD ANGLE PROJECTION EDS DATE 02-22-2008 FORMAT REV G	

REVISION: ECO	REVISADO POR: E.SINECIO	FECHA: 04-13-2012	APROBADO POR: R.RASCON	FECHA: 04-13-2012
H	0025372			

GROUP	FRAME	"C"	(BS)	(XA)	(XB)	(XG)	(XH)	(XL)	(XM)	(XN)	(XR)	(XT)	(XV)	(XX)
-01	M56	12.69	6.63	2.34	1.64	3.46	4.08	2.80	4.40	4.38	3.30	2.29	5.28	.75
-02	K56	11.44	5.38	2.34	1.64	3.21	4.08	2.80	4.40	4.38	3.30	2.04	5.28	.75
-03	J56	11.07	5.00	2.34	1.64	2.84	4.08	2.80	4.40	4.38	3.30	1.64	5.28	.75

NOTES:

- 1 PILOT DIAMETER IS CONCENTRIC WITH SHAFT CENTERLINE WITHIN .004 T.I.R.
- 2 FACE OF MOUNTING FLANGE IS PERPENDICULAR TO SHAFT CENTERLINE WITHIN .004 T.I.R.
- 3 SHAFT RUNOUT NOT TO EXCEED .002 T.I.R.
- 4 END PLAY NOT TO EXCEED .010 MEASURED WITH NO THRUST
- 5 ALL DIMENSIONS SHOWN IN PARENTHESIS ARE REFERENCE DIMENSIONS. ALL OTHER DIMENSIONS ARE TOLERANCED PER THE FOLLOWING CHART UNLESS OTHERWISE SPECIFIED.  
 "C" DIM. = +/- .055  
 SHAFT EXT. = +/- .034  
 LEAD LENGTHS = +/- 1.00  
 EXTENDED THRU-BOLTS = +/- .050  
 ANGULAR DIMS. = +/- 2 DEGS.



1/2-14 N.P.S.M. W/CAP  
 GASKET UNDER COVER (FOR ENCL MOTORS ONLY)

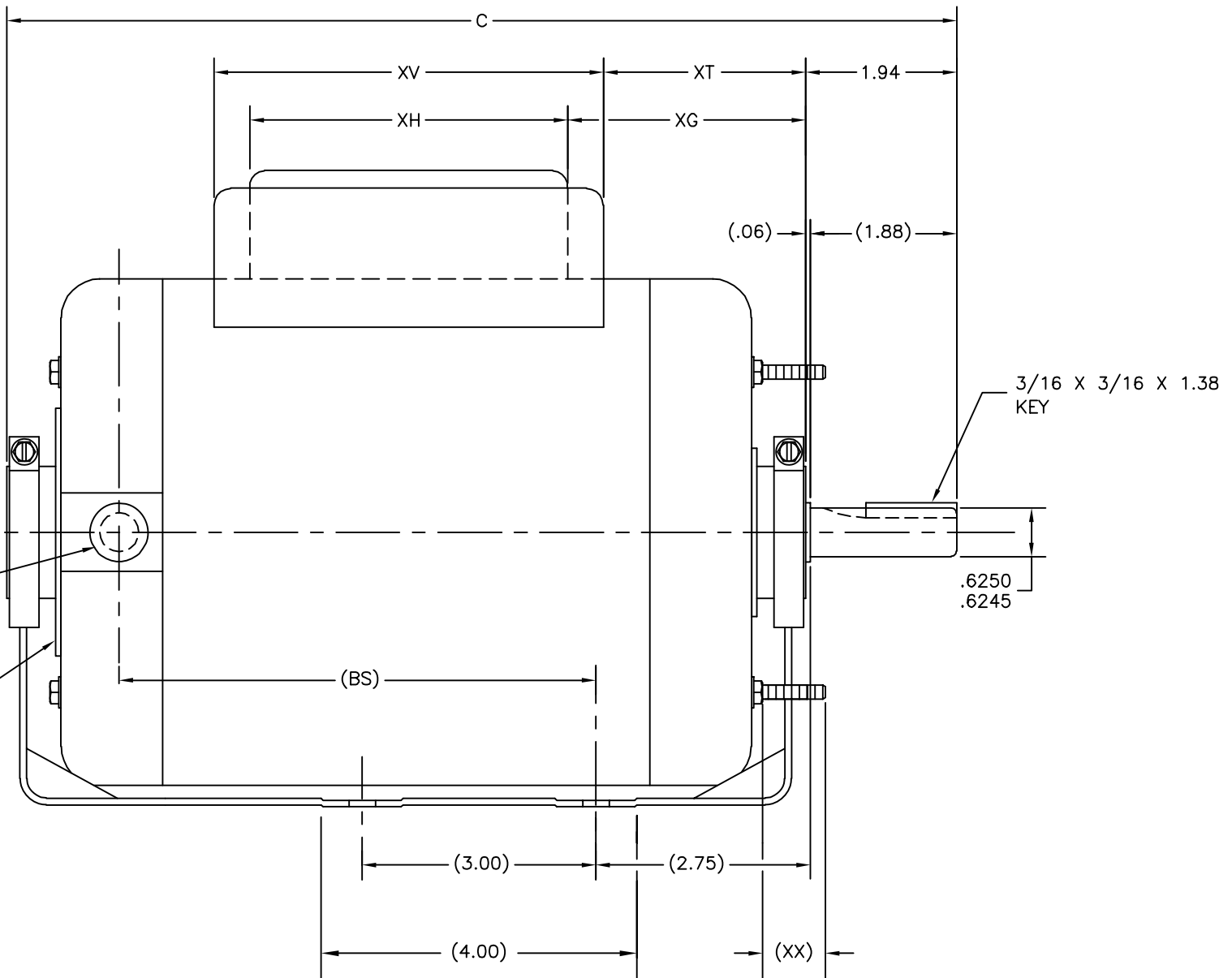
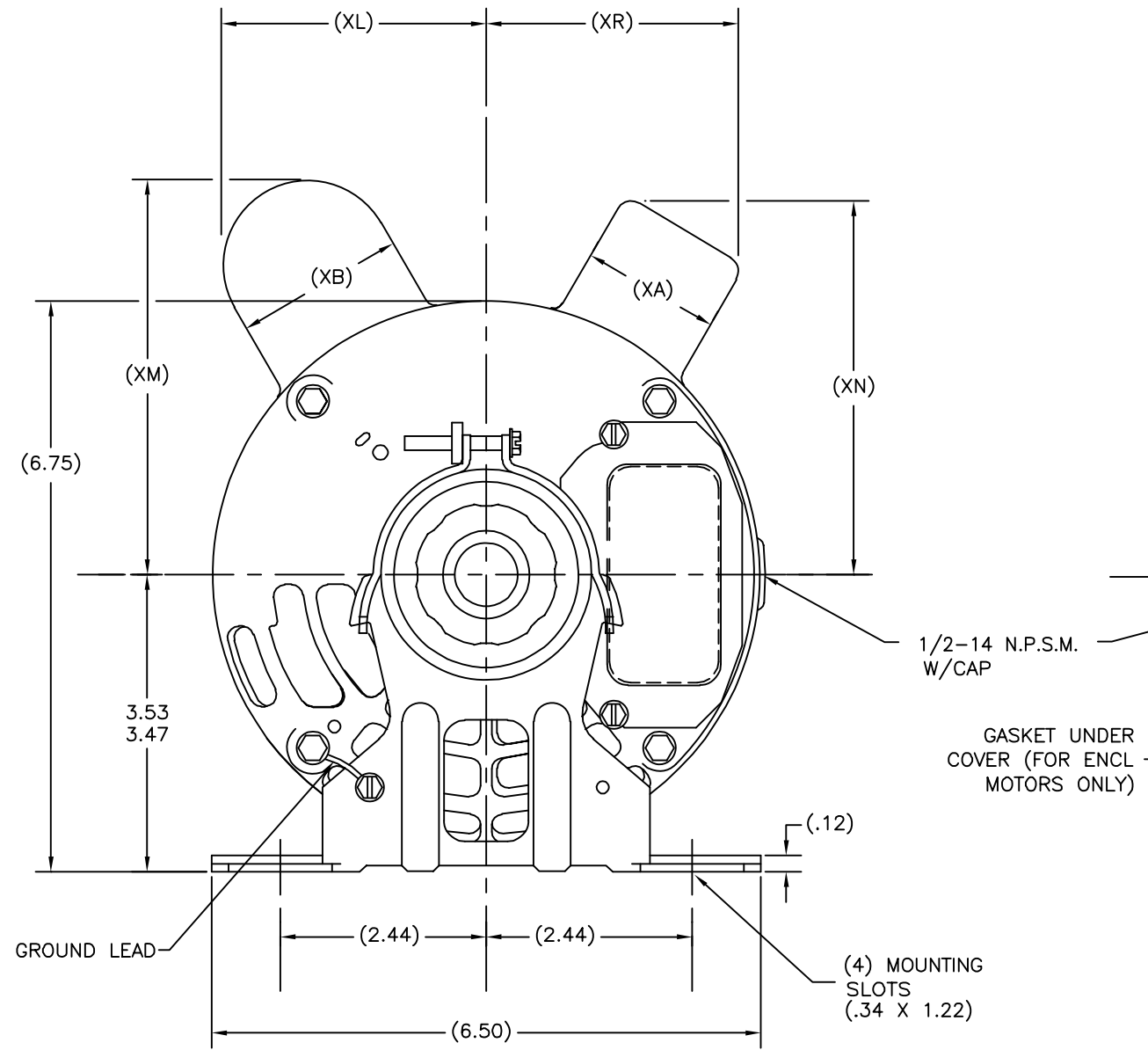
CARACTERISTICAS DE GEOMETRIA Y SIMBOLOS: □ PLANICIDAD — RECTITUD ∠ ANGULARIDAD ⊥ PERPENDICULARIDAD (A ESCUADRA) // PARALELISMO ○ REDONDEZ (CIRCULARIDAD) R CILINDRICIDAD ∞ PERFIL DE CUALQUIER SUPERFICIE ∩ PERFIL DE CUALQUIER LINEA ↑ VARIACION ⊕ POSICION REAL ⊙ CONCENTRICIDAD = SIMETRIA	A MENOS QUE SE ESPECIFIQUE DE OTRA MANERA, LAS TOLERANCIAS DE LAS DIMS, SON LAS SIGUIENTES: PULG ±.1 ±.02 ±.005 ±.0005 mm ±0.5 ±0.13 ±0.013 ANG ±.50 GRADOS ELIMINAR REBABAS Y ORILLAS FILOSAS DEL BORDE. PULG .003-.015 mm 0.1-0.4 FILETEAR ESQUINA: PULG .020 mm 0.5 MAQUINAR SUPERFICIES PULG 125 mm 3.2 DIMS METRICAS MOSTRADAS [PARENTESIS]	DIBUJADO POR:	REGAL-BELOIT CORPORATION DESCRIPCION: MODEL-CFHP-56FR OUTLINE TAMAÑO: D NUMERO DE DIBUJO: 162089 ESCALA: NONE HOJA: 1
		APROBADO POR: TERCER ANGULO DE PROYECCION:	

版本	ECO	编制	日期	批准	日期
H	0025372	E.SINECIO	04-13-2012	R.RASCON	04-13-2012

GROUP	FRAME	"C"	(BS)	(XA)	(XB)	(XG)	(XH)	(XL)	(XM)	(XN)	(XR)	(XT)	(XV)	(XX)
-01	M56	12.69	6.63	2.34	1.64	3.46	4.08	2.80	4.40	4.38	3.30	2.29	5.28	.75
-02	K56	11.44	5.38	2.34	1.64	3.21	4.08	2.80	4.40	4.38	3.30	2.04	5.28	.75
-03	J56	11.07	5.00	2.34	1.64	2.84	4.08	2.80	4.40	4.38	3.30	1.64	5.28	.75

NOTES:

- PILOT DIAMETER IS CONCENTRIC WITH SHAFT CENTERLINE WITHIN .004 T.I.R.
- FACE OF MOUNTING FLANGE IS PERPENDICULAR TO SHAFT CENTERLINE WITHIN .004 T.I.R.
- SHAFT RUNOUT NOT TO EXCEED .002 T.I.R.
- END PLAY NOT TO EXCEED .010 MEASURED WITH NO THRUST
- ALL DIMENSIONS SHOWN IN PARENTHESIS ARE REFERENCE DIMENSIONS. ALL OTHER DIMENSIONS ARE TOLERANCED PER THE FOLLOWING CHART UNLESS OTHERWISE SPECIFIED.  
 "C" DIM. = +/- .055  
 SHAFT EXT. = +/- .034  
 LEAD LENGTHS = +/- 1.00  
 EXTENDED THRU-BOLTS = +/- .050  
 ANGULAR DIMS. = +/- 2 DEGS.



形位公差 □ 平面度 ⊥ 垂直度 ∠ 倾斜度 // 平行度 R 圆度 φ 圆柱度 面轮廓度 线轮廓度 圆跳动 位置度 同轴度 对称度	除另有注明 尺寸公差如下: 英寸 X XX XXX XXXX ±.1 ±.02 ±.005 ±.0005 毫米 ±0.5 ±0.13 ±0.013 角度 ±.50 度 清理毛刺和尖棱 英寸 .003-.015 毫米 0.1-0.4 内圆角 英寸 .020 毫米 0.5 表面粗糙度 英制 125 米制 3.2 米制尺寸显示在 [ ]	绘图: 批准: 第三角投影	名称 图框格式发布日期 02-22-2008 图框格式版本 G
		机密: 本图纸及相关信息所有权归REGAL-BELOIT CORPORATION 未经REGAL-BELOIT CORPORATION书面授权, 不得泄露、 复制、传播或作其他用途。—版权所有	名称 MODEL-CFHP-56FR OUTLINE 图号 162089 比例 NONE 页号 1