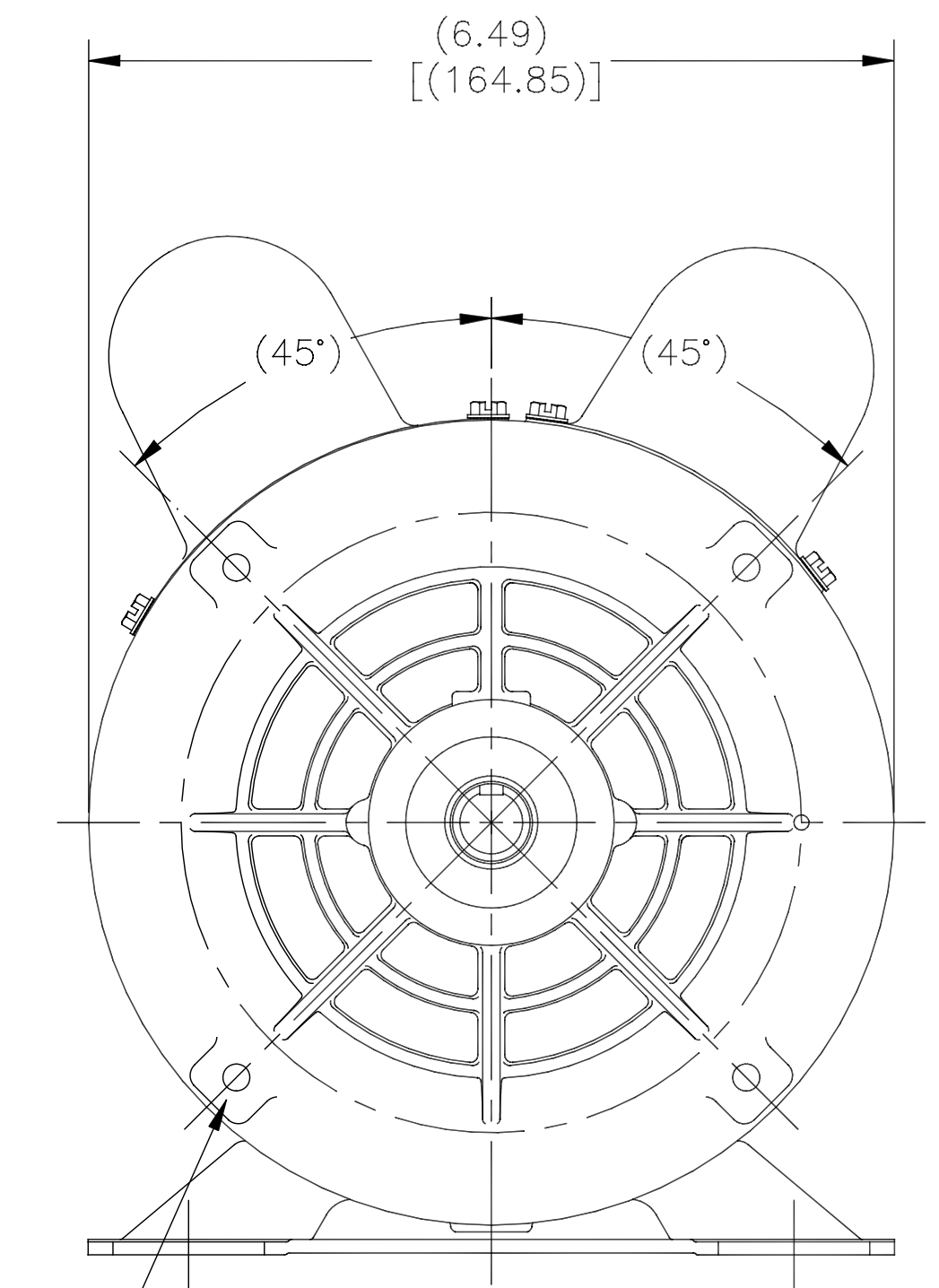
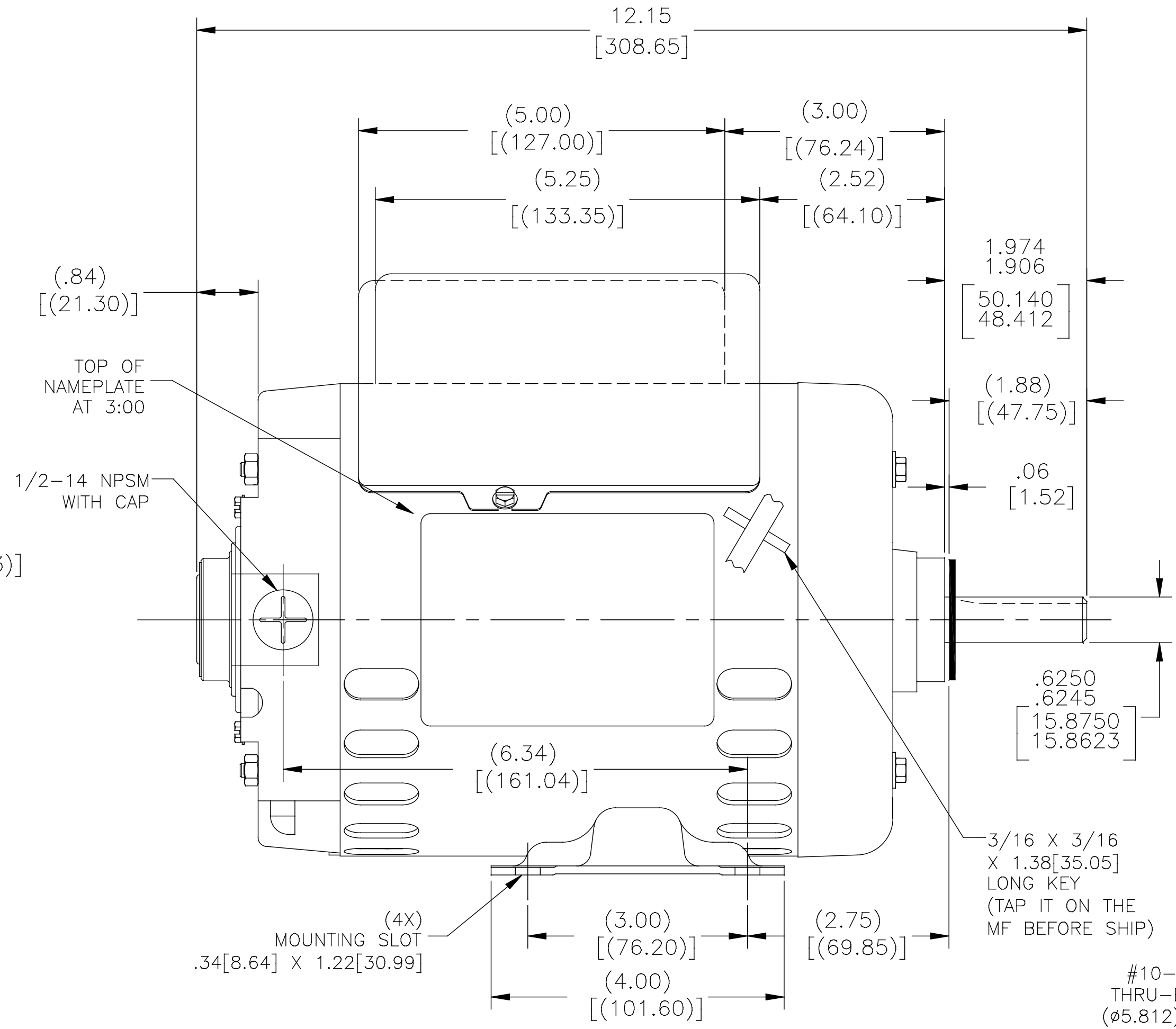
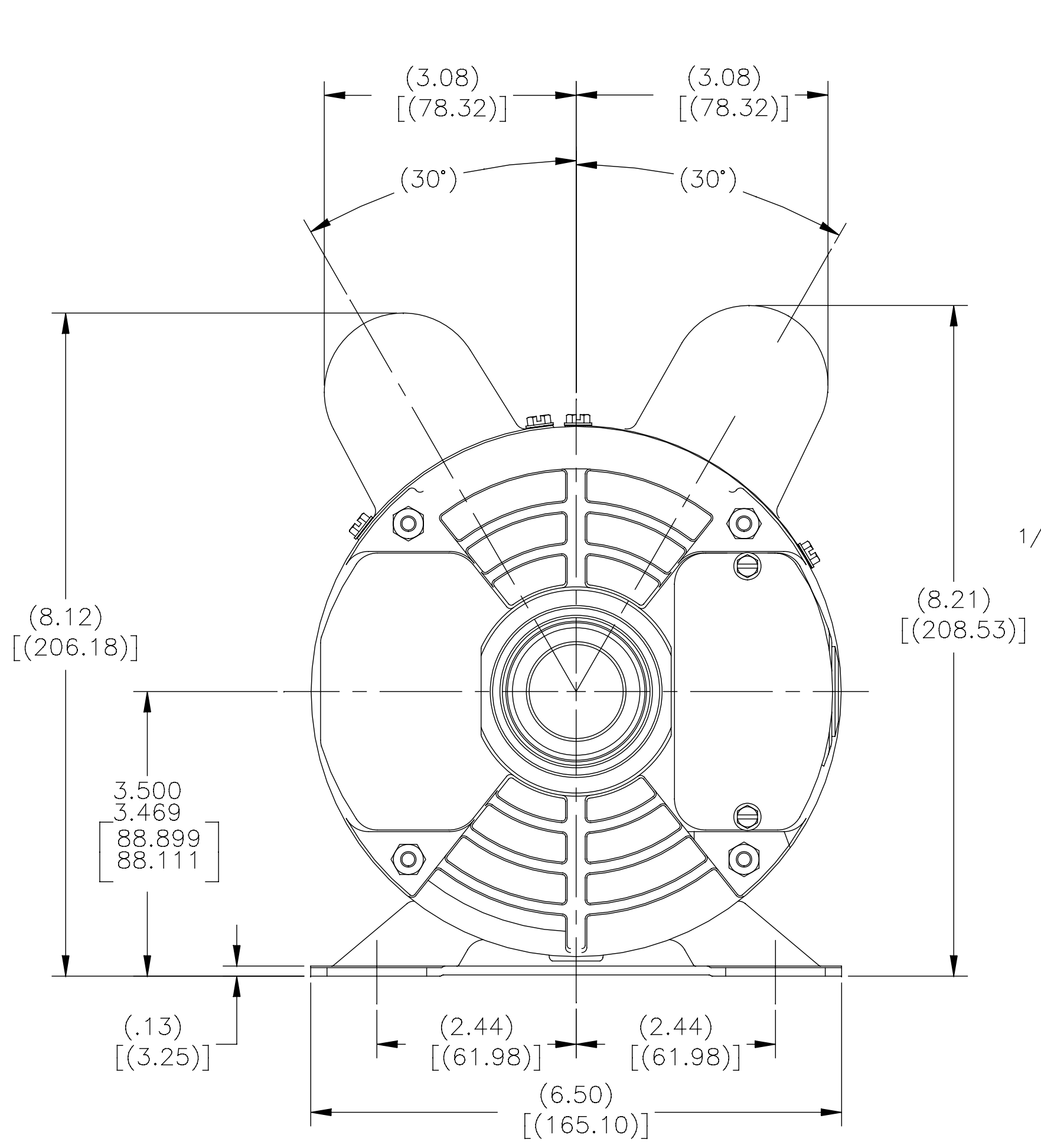


ALL DIMENSIONS SHOWN IN PARENTHESIS ARE REFERENCE DIMENSIONS. ALL OTHER DIMENSIONS ARE TOLERANCED PER THE FOLLOWING CHART UNLESS OTHERWISE SPECIFIED.

"OVERALL" DIMENSION	= ±.055[1.397]
SHAFT EXTENSION	= ±.034[.864]
LEAD LENGTHS	= ±1.00[25.40]
EXTENDED THRU-BOLTS	= ±.050[1.270]
ANGULAR DIMENSIONS	= ±2'



DRAWING REVISION B	REVISION BY J.YAO	DATE 06-25-2015	TOLERANCES UNLESS OTHERWISE SPECIFIED DEC INCH mm ANGLE	DRAWN BY J.YAO
ECD-0079651	APPROVED BY H.ZHANG	DATE 06-25-2015	.XX ±0.02 [±0.51] .XXX ±0.005 [±0.127] .XXXX ±0.0005 [±0.0127]	DATE 10-15-2014
ECO DESCRIPTION SPE ECD			REMOVE BURRS & BREAK SHARP EDGES .003/0.15 [0.076/3.81] CORNER FILLETS .02 [51] MACHINED SURFACES .125 [3.175] mm SHOWN IN [BRACKETS]	APPROVED BY D.ZHANG
<small>COPYRIGHT REGAL BELOIT AMERICA, INC. ALL RIGHTS RESERVED. REGAL BELOIT AMERICA, INC. (PARENT) AND CONTIGUOUS OWNERS' PROPRIETARY INFORMATION OR TRADE SECRETS ARE HEREBY PROTECTED. IT IS HEREBY AGREED THAT THE INFORMATION CONTAINED HEREIN IS THE PROPERTY OF REGAL BELOIT AMERICA, INC. AND/OR ANY PART OF IT, SHALL NOT BE DISCLOSED TO ANY PERSON, CORPORATION OR OTHER ENTITY, AND/OR USED, REPRODUCED OR IN ANY MANNER, WITHOUT THE WRITTEN PERMISSION OF REGAL BELOIT AMERICA, INC. AS EXPRESSLY APPROVED IN WRITING IN ADVANCE BY OWNER. THIS DOCUMENT SHALL BE RETURNED TO OWNER UPON REQUEST. IT MAY BE SUBJECT TO CERTAIN RESTRICTIONS UNDER APPLICABLE EXPORT CONTROL LAWS AND REGULATIONS.</small>			DATE 10-15-2014	DESCRIPTION MODEL-CFHP-56FR OUTLINE
			THIRD ANGLE PROJECTION	MATERIAL
			SIZE (DWG NO)	C420ES
			SHEET	1