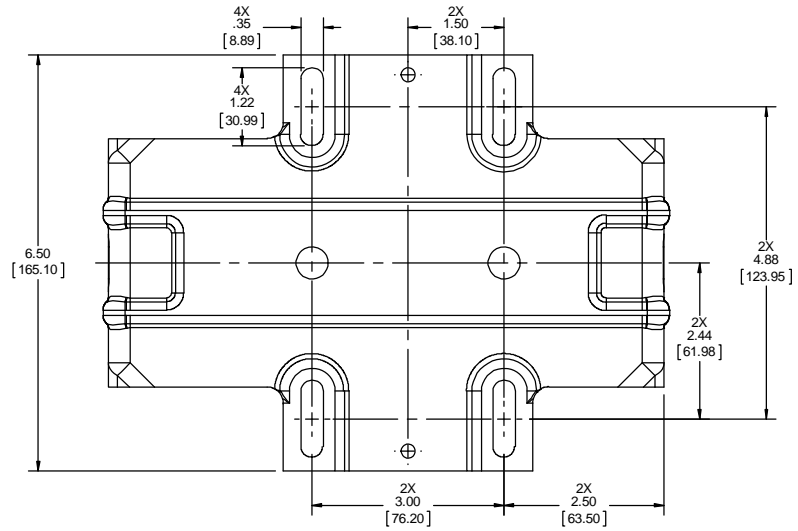
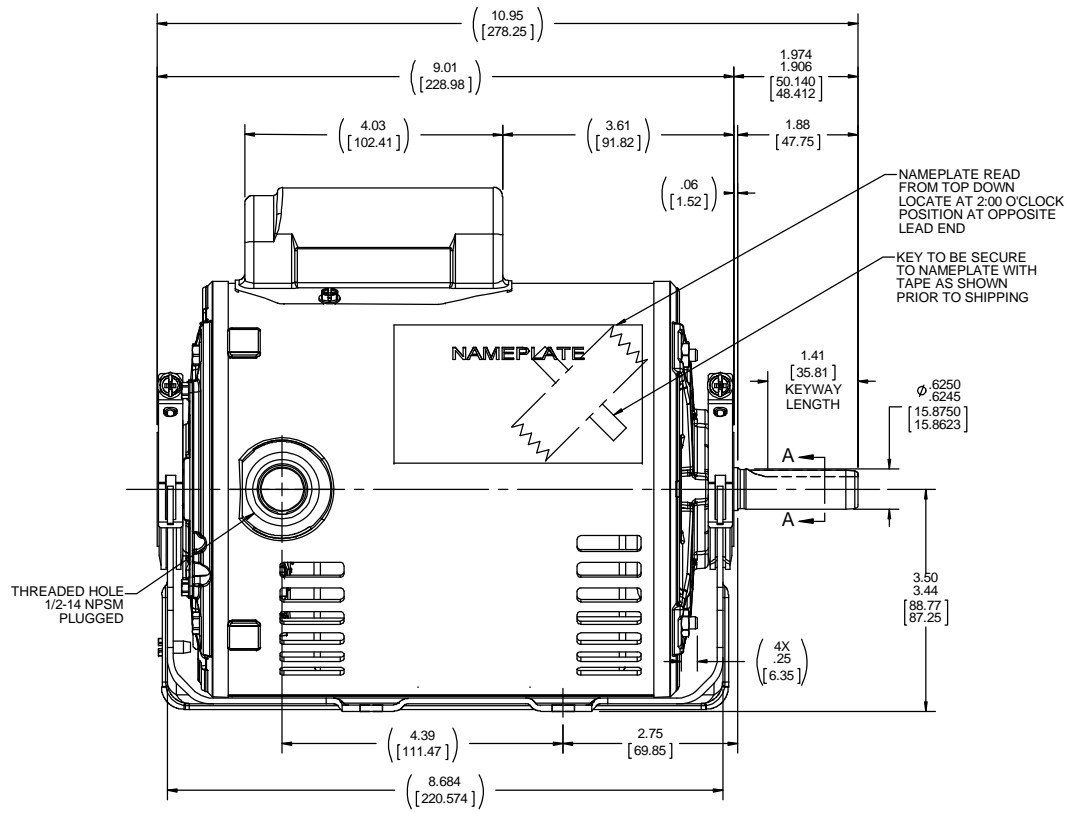


THREADED HOLE  
1/2-14 NPSM  
PLUGGED



DRAWING REVISION A	REVISION BY MARGUELLES	DATE 01-10-2018	TOLERANCES UNLESS OTHERWISE SPECIFIED: DEC. INCH mm ANGLE	DRAWN BY MARGUELLES	Regal Beloit America, Inc.
ECO ECO-0137049	APPROVED BY	DATE	.X ±0.1 [2.5] 30.5° .XX ±0.03 [0.76] .XXX ±0.005 [0.127] .XXXX ±0.0005 [0.0127]	DATE 01-10-2018	
NEW MODEL RELEASE			REMOVE BURRS & BREAK SHARP EDGES: .0031 [0.078] X 45° CORNER FILLETS: R.02 [.51]	APPROVED BY	DESCRIPTION <b>OUTLINE</b>
COPYRIGHT REGAL BELOIT AMERICA, INC. ALL RIGHTS RESERVED. PROPRIETARY AND CONFIDENTIAL INFORMATION. THIS DOCUMENT IS THE PROPERTY OF REGAL BELOIT AMERICA, INC. LOANED AND CONTAINS OWNERS PROPRIETARY INFORMATION. ANY PERSON, CORPORATION OR OTHER FIRM RECEIVING IT IS DEEMED BY RECEIVING IT, TO AGREE THAT IT, AND ANY PART OF IT, SHALL NOT BE DISCLOSED TO ANY PERSON, CORPORATION OR OTHER ENTITY, DUPLICATED, AND/OR USED, EXCEPT AS EXPRESSLY APPROVED IN WRITING IN ADVANCE BY OWNER. THIS DOCUMENT SHALL BE RETURNED TO OWNER UPON REQUEST. IT MAY BE SUBJECT TO CERTAIN RESTRICTIONS UNDER APPLICABLE EXPORT CONTROL LAWS AND REGULATIONS.			MACHINED SURFACES: .125 / 3.2 INCH/ mm SHOWN IN [BRACKETS]	DATE	MATERIAL 56FR,DP,1-PHASE,RESILIENT
			THIRD ANGLE PROJECTION	REFERENCE	PROCESS/FINISH
			SIZE C	DRAWING NUMBER OL56100458-001	SHEET 1 OF 1