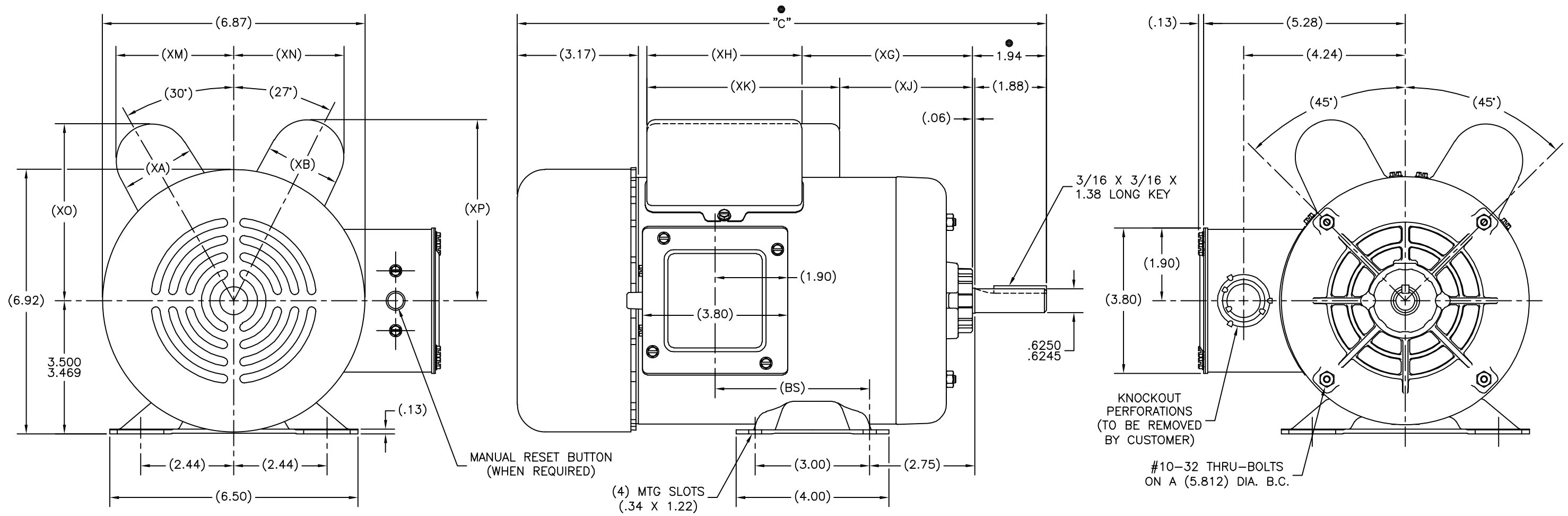


REV	ECO	REV BY	DATE	APPD	DATE
C	0025361	L. BERNAL	04-12-2012	D. BALDERRAMA	04-12-2012

ALL DIMENSIONS SHOWN IN PARENTHESIS ARE REFERENCE DIMENSIONS. ALL OTHER DIMENSIONS ARE TOLERANCED PER THE FOLLOWING CHART UNLESS OTHERWISE SPECIFIED.

"C" DIM. = +/- .055
 SHAFT EXT. = +/- .034
 LEAD LENGTHS = +/- 1.00
 EXTENDED THRU-BOLTS = +/- .050
 ANGULAR DIM. = +/- 2'



-03	CP	M56	13.86	4.05	2.01	2.01	3.47	5.06	3.47	5.06	3.09	2.89	4.63	4.74
-02	CSR	K56	12.61	2.80	2.01	2.01	3.22	4.06	3.22	4.06	3.09	2.89	4.63	4.74
-01	CSR	L56	13.36	3.55	2.01	2.01	3.97	4.06	3.97	4.06	3.09	2.89	4.63	4.74
GROUP	TYPE	FRAME	"C"	(BS)	(XA)	(XB)	(XG)	(XH)	(XJ)	(XK)	(XM)	(XN)	(XO)	(XP)

● = CRITICAL DIMENSION

GEOMETRIC CHARACTERISTICS & SYMBOLS
 □ FLATNESS
 ⊥ STRAIGHTNESS
 ∠ ANGULARITY
 ⊥ PERPENDICULARITY (SQUARENESS)
 // PARALLELISM
 ○ ROUNDNESS (CIRCULARITY)
 Ⓞ CYLINDRICITY
 ≡ PROFILE OF ANY SURFACE
 ≡ PROFILE OF ANY LINE
 Ⓢ RUNOUT
 ⊕ TRUE POSITION
 ⊙ CONCENTRICITY
 = SYMMETRY

UNLESS OTHERWISE SPECIFIED DIM. TOLERANCES ARE AS FOLLOWS:
 INCH ± .1 ± .02 ± .005 ± .0005
 mm ± 0.5 ± 0.13 ± 0.013
 ANG. ± 50 DEG
 REMOVE BURRS & BREAK SHARP EDGES:
 INCH .003-.015 mm 0.1-0.4
 CORNER FILLETS TO:
 INCH .020 mm 0.5
 MACHINE SURFACES:
 INCH 125 mm 3.2
 METRIC DIMS. SHOWN IN [BRACKETS]

DR BY: DAVHOL 12-14-1999
 APPD:
 THRD ANGLE PROJECTION
 EDS DATE 11-11-2011
 FORMAT REV G

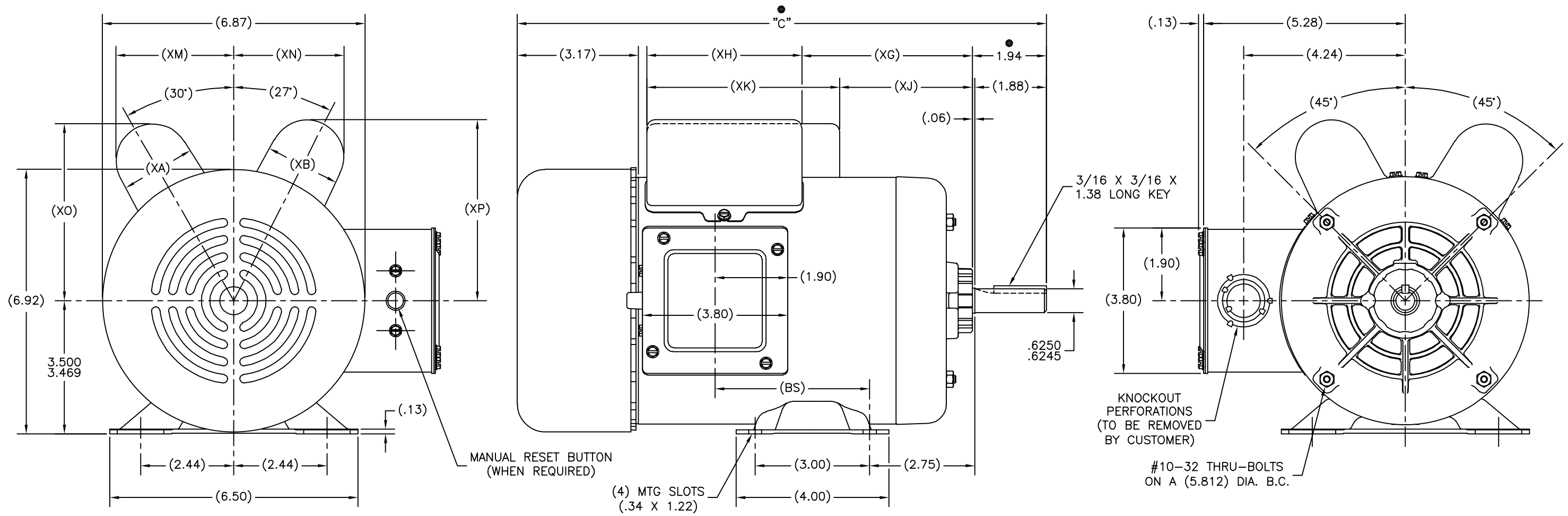
REGAL-BELOIT CORPORATION
 DESCRIPTION: 0056 DWG 0-LINE BB TEFC RIGID BASE
 SIZE D DWG NO 195077
 SCALE 1=1 SHEET 1

CONFIDENTIAL: THIS DRAWING AND ITS INFORMATION ARE THE EXCLUSIVE AND CONFIDENTIAL PROPERTY OF REGAL-BELOIT CORPORATION AND ARE NOT TO BE DISCLOSED, DUPLICATED, DISTRIBUTED OR OTHERWISE USED WITHOUT THE WRITTEN CONSENT OF REGAL-BELOIT CORPORATION. ALL RIGHTS RESERVED.

REVISION:	ECO	REVISADO POR:	L. BERNAL	FECHA:	04-12-2012	APROBADO POR:	D. BALDERRAMA	FECHA:	04-12-2012
C	0025361								

ALL DIMENSIONS SHOWN IN PARENTHESIS ARE REFERENCE DIMENSIONS. ALL OTHER DIMENSIONS ARE TOLERANCED PER THE FOLLOWING CHART UNLESS OTHERWISE SPECIFIED.

- "C" DIM. = +/- .055
- SHAFT EXT. = +/- .034
- LEAD LENGTHS = +/- 1.00
- EXTENDED THRU-BOLTS = +/- .050
- ANGULAR DIM. = +/- 2'



-03	CP	M56	13.86	4.05	2.01	2.01	3.47	5.06	3.47	5.06	3.09	2.89	4.63	4.74
-02	CSR	K56	12.61	2.80	2.01	2.01	3.22	4.06	3.22	4.06	3.09	2.89	4.63	4.74
-01	CSR	L56	13.36	3.55	2.01	2.01	3.97	4.06	3.97	4.06	3.09	2.89	4.63	4.74
GROUP	TYPE	FRAME	"C"	(BS)	(XA)	(XB)	(XG)	(XH)	(XJ)	(XK)	(XM)	(XN)	(XO)	(XP)

● = CRITICAL DIMENSION

CARACTERÍSTICAS DE GEOMETRÍA Y SIMBOLOS:
 □ PLANICIDAD
 ⊥ RECTITUD
 ∠ ANGULARIDAD
 ⊥ PERPENDICULARIDAD (A ESCUADRA)
 // PARALELISMO
 ○ REDONDEZ (CIRCULARIDAD)
 R CILINDRICIDAD
 ≡ PERFIL DE CUALQUIER SUPERFICIE
 ^ PERFIL DE CUALQUIER LINEA
 ∠ VARIACION
 ⊕ POSICION REAL
 ⊙ CONCENTRICIDAD
 = SIMETRIA

ASME Y14.5M 1994

A MENOS QUE SE ESPECIFIQUE DE OTRA MANERA, LAS TOLERANCIAS DE LAS DIMS; SON LAS SIGUIENTES:
 PULG ±.1 ±.02 ±.005 ±.0005
 mm ±0.5 ±0.13 ±0.013
 ANG ±.50 GRADOS
 ELIMINAR REBABAS Y ORILLAS FILOSAS DEL BORDE.
 FILETEAR ESQUINA: PULG .020 mm 0.5
 MAQUINAR SUPERFICIES
 PULG 125 mm 3.2

DIMS METRICAS MOSTRADAS [PARENTESIS]

DIBUJADO POR: DAVHÖL
 APROBADO POR:
 TERCER ANGULO DE PROYECCION:
 FECHA EDS: 11-11-2011
 REV. FORMATO: G

CONFIDENCIAL: ESTE DIBUJO Y SU INFORMACION SON PROPIEDAD DE USO EXCLUSIVO Y CONFIDENCIAL DE REGAL-BELOIT CORPORATION, Y NO DEBERAN SER REVELADOS, DUPLICADOS, DISTRIBUIDOS O USARSE DE OTRA MANERA SIN EL CONSENTIMIENTO ESCRITO DE REGAL-BELOIT CORPORATION. -TODOS LOS DERECHOS RESERVADOS.

REGAL-BELOIT CORPORATION

DESCRIPCION: 0056 DWG O-LINE BB TEFC RIGID BASE

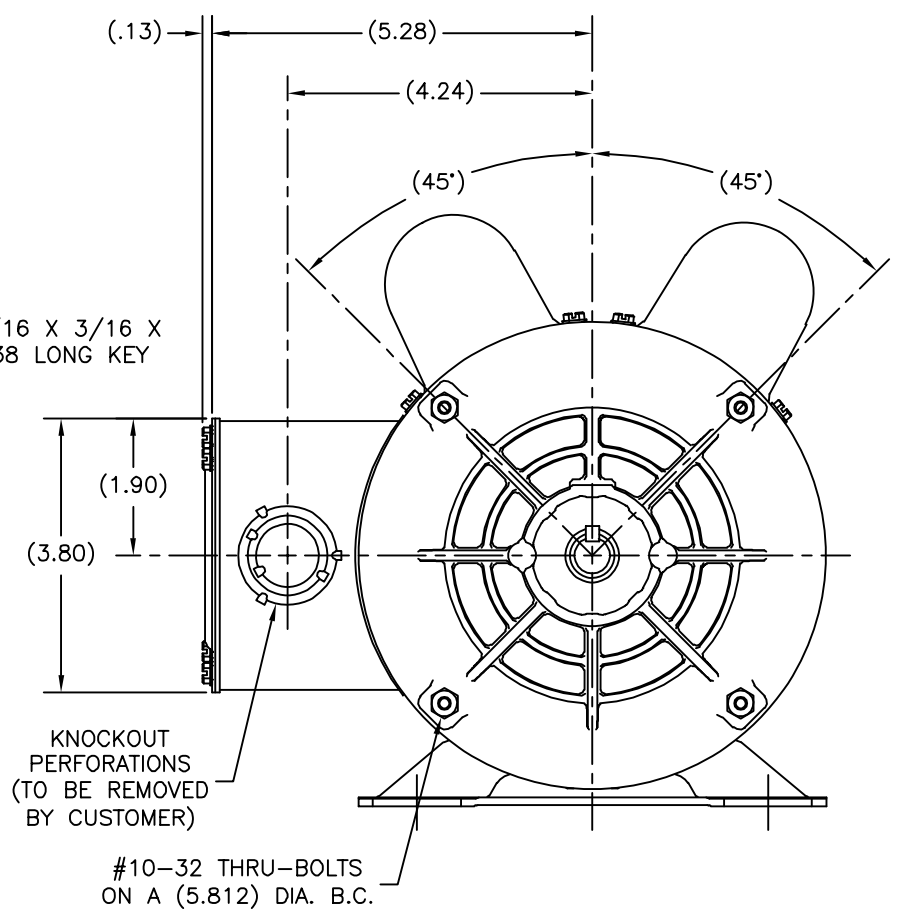
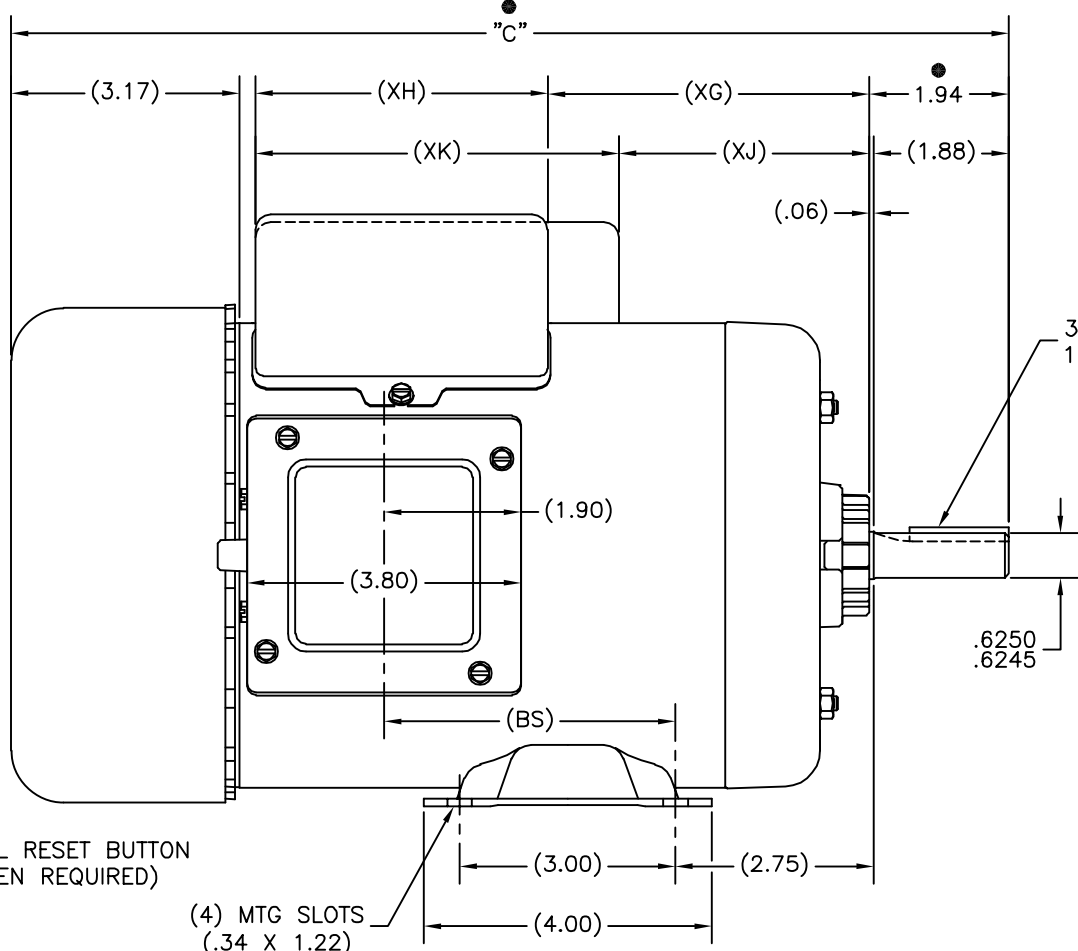
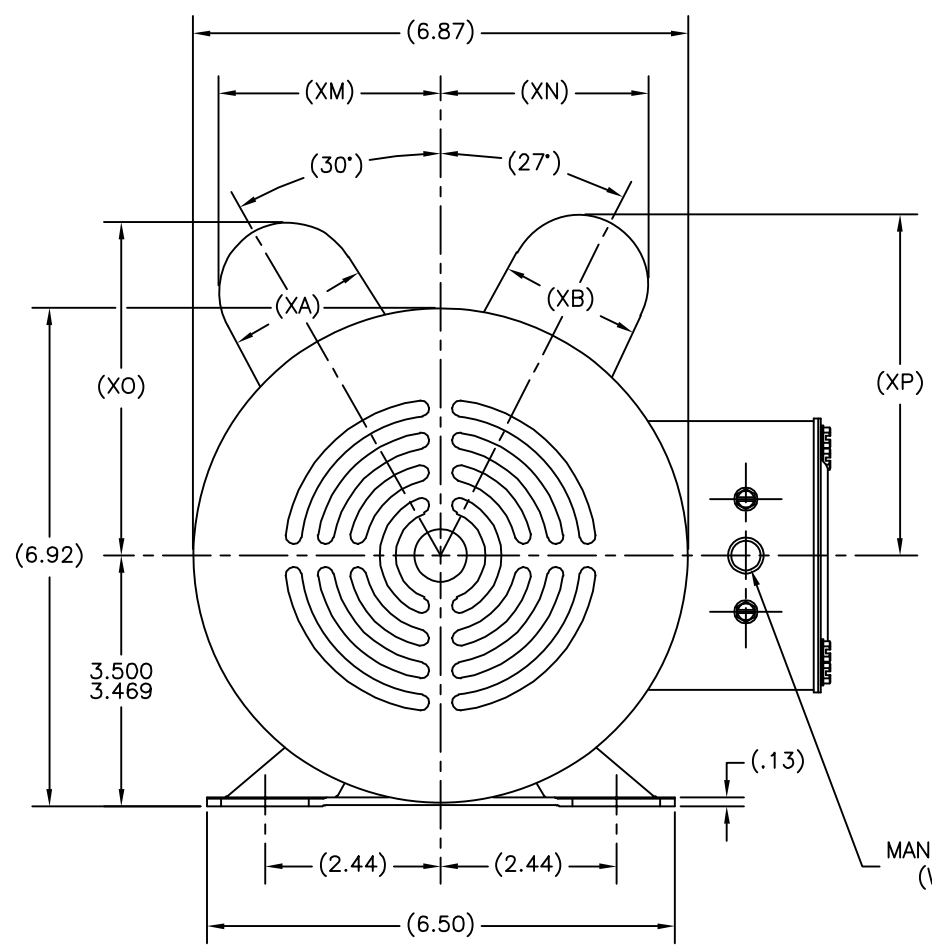
TAMAÑO: D NUMERO DE DIBUJO: 195077

ESCALA: 1=1 HOJA: 1

版本	ECO	编制	日期	批准	日期
C	0025361	L. BERNAL	04-12-2012	D. BALDERRAMA	04-12-2012

ALL DIMENSIONS SHOWN IN PARENTHESIS ARE REFERENCE DIMENSIONS. ALL OTHER DIMENSIONS ARE TOLERANCED PER THE FOLLOWING CHART UNLESS OTHERWISE SPECIFIED.

- "C" DIM. = +/- .055
- SHAFT EXT. = +/- .034
- LEAD LENGTHS = +/- 1.00
- EXTENDED THRU-BOLTS = +/- .050
- ANGULAR DIM. = +/- 2'



-03	CP	M56	13.86	4.05	2.01	2.01	3.47	5.06	3.47	5.06	3.09	2.89	4.63	4.74
-02	CSR	K56	12.61	2.80	2.01	2.01	3.22	4.06	3.22	4.06	3.09	2.89	4.63	4.74
-01	CSR	L56	13.36	3.55	2.01	2.01	3.97	4.06	3.97	4.06	3.09	2.89	4.63	4.74
GROUP	TYPE	FRAME	"C"	(BS)	(XA)	(XB)	(XG)	(XH)	(XJ)	(XK)	(XM)	(XN)	(XO)	(XP)

● = CRITICAL DIMENSION

形位公差	除另有注明
— 平面度	尺寸公差如下:
— 直线度	英寸 X XX XXX XXXX
— 倾斜度	英寸 ±.1 ±.02 ±.005 ±.0005
— 垂直度	毫米 ±0.5 ±0.13 ±0.013
— 平行度	清理毛刺和尖棱
— 圆度	英寸 .003-.015 毫米 0.1-0.4
— 圆柱度	内圆角
— 面轮廓度	英寸 .020 毫米 0.5
— 线轮廓度	表面粗糙度
— 圆跳动	英制 125 米制 3.2
— 位置度	米制尺寸显示在 []
— 同轴度	
— 对称度	

绘图: DAVHOL	12-14-1999
批准:	
第三角投影	图框格式发布日期 11-11-2011
	图框格式版本 G
机密: 本图纸及相关信息所有权归REGAL-BELOIT CORPORATION. 未经REGAL-BELOIT CORPORATION书面授权, 不得泄露、复制、传播或作其他用途。—版权所有	

名称	0056 DWG O-LINE BB TEFC RIGID BASE
图幅	D
图号	195077
比例	1=1
页号	1

REGAL-BELOIT CORPORATION