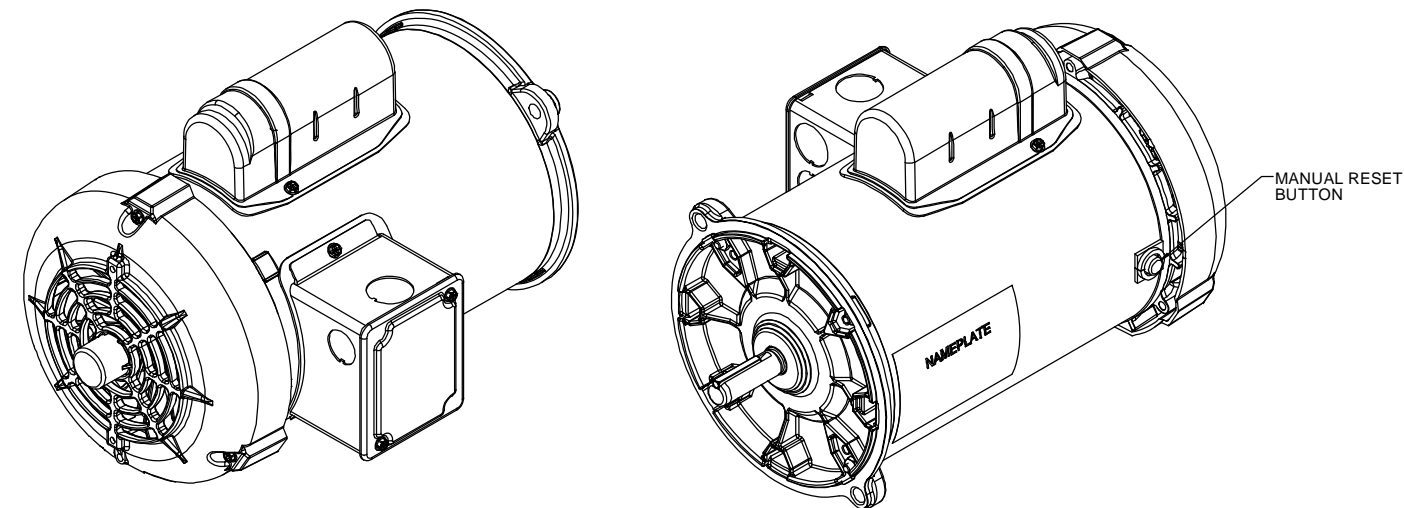
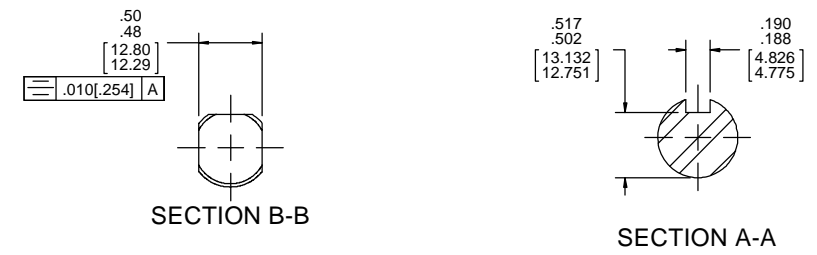


THESE HOLES FIT A GAGE HAVING A RABBIT OF A $\phi 6.3755[161.9377]$ AND 2 PINS OF A $\phi .3309[8.4049]$ LOCATED ON THE BASIC HOLE POSITIONS.



DRAWING REVISION C	REVISION BY R. ZAMARRON	DATE 06-07-2018	TOLERANCES UNLESS OTHERWISE SPECIFIED: DEC. INCH mm ANGLE .XX ±0.1 [±2.5] .XXX ±0.02 [±0.51] XXXX ±0.005 [±0.127]	DRAWN BY D. VALENCIANO	DATE 05-04-2016	DESCRIPTION OUTLINE
ECO-0146395	APPROVED BY	DATE	REMOVE BURRS & BREAK SHARP EDGES: 0.031 [0.78] X 45° CORNER FILLETS: R.02 [0.51]	APPROVED BY J. ORTEGA	DATE 05-04-2016	MATERIAL 56FR, TEFC, ROUND
ECO DESCRIPTION ADD SHAFT COVER			MACHINED SURFACES: 125 INCR/ m/m	REFERENCE C333	THIRD ANGLE PROJECTION	PROCESS/FINISH
<small> PROPRIETARY AND CONFIDENTIAL INFORMATION - THIS DOCUMENT IS THE PROPERTY OF REGAL BELOIT AMERICA, INC. CONSENT AND CONFIRMATION OF OWNERS PROPRIETARY INFORMATION, ANY PERSON, CORPORATION OR OTHER FIRM RECEIVING IT IS DEEMED, BY RECEIVING IT, TO AGREE THAT IT, AND/OR ANY PART OF IT, SHALL NOT BE DISCLOSED TO ANY PERSON, CORPORATION OR OTHER ENTITY, DUPLICATED, AND/OR USED, EXCEPT AS EXPRESSLY APPROVED IN WRITING IN ADVANCE BY OWNER. THIS DOCUMENT SHALL BE RETURNED TO OWNER UPON REQUEST. IT MAY BE SUBJECT TO CERTAIN RESTRICTIONS UNDER APPLICABLE EXPORT CONTROL LAWS AND REGULATIONS. </small>			<small> REGAL BELOIT AMERICA, INC. ALL RIGHTS RESERVED. </small>	SIZE D	DRAWING NUMBER OL56100075-001	SHEET 1 OF 1