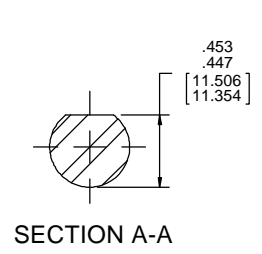
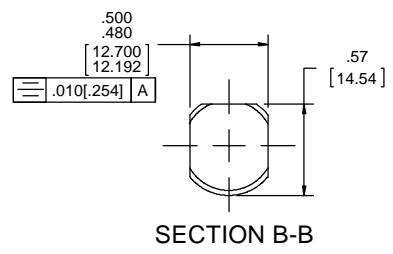
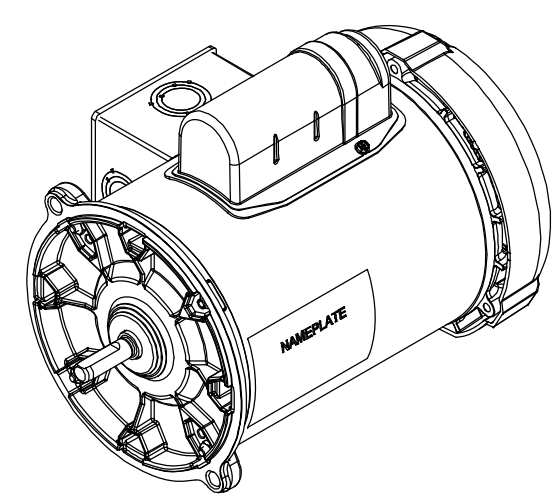
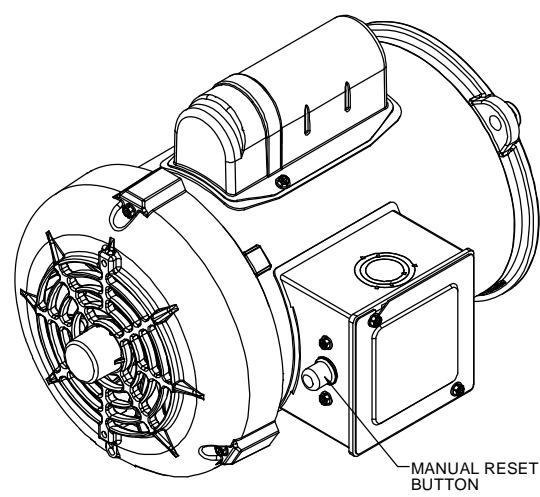


THESE HOLES FIT A GAGE HAVING A RABBIT OF A Ø6.3755[161.9377] AND 2 PINS OF A Ø.3309[8.4049] LOCATED ON THE BASIC HOLE POSITIONS.



- NOTES:
1. KNOCKOUT PERFORATIONS TO BE REMOVED BY CUSTOMER
 2. ▲=CRITICAL DIMENSION

DRAWING REVISION B	REVISION BY D.VALENCIANO	DATE 06-06-2018	TOLERANCES UNLESS OTHERWISE SPECIFIED: DEC. INCH mm ANGLE .X ±0.1 #2.5 .XX ±0.02 #0.51 .XXX ±0.005 #0.127 XXX ±0.0005 #0.0127	DRAWN BY MARGUELLES	DATE 01-04-2018	DESCRIPTION OUTLINE
ECO-0146396	APPROVED BY M RAMIREZ	DATE 06-06-2018	REMOVE BURRS & BREAK SHARP EDGES: .003/.015 [0.076/.381] X 45° CORNER FILLETS: R.02 [0.51] MACHINED SURFACES: 125/3.2/ INCR/ m/v mm SHOWN IN [BRACKETS]	APPROVED BY	DATE	MATERIAL 56FR,TEFC,ROUND,1-PHASE
<small>COPYRIGHT © REGAL BELT, INC. ALL RIGHTS RESERVED. PROPRIETARY AND CONFIDENTIAL INFORMATION - THIS DOCUMENT IS THE PROPERTY OF REGAL BELT, INC. RECEIVING IT IS DEEMED TO BE RECEIVED IN CONFIDENCE AND IT IS NOT TO BE DISCLOSED TO ANY PERSON, CORPORATION OR OTHER ENTITY, WITHOUT THE WRITTEN PERMISSION OF REGAL BELT, INC. THIS DOCUMENT SHALL BE RETURNED TO REGAL BELT, INC. UPON REQUEST. IT MAY BE SUBJECT TO CERTAIN RESTRICTIONS UNDER APPLICABLE EXPORT CONTROL LAWS AND REGULATIONS.</small>			<small>REGAL BELT, INC. ALL RIGHTS RESERVED.</small>	<small>REGAL BELT, INC. ALL RIGHTS RESERVED.</small>	<small>REGAL BELT, INC. ALL RIGHTS RESERVED.</small>	<small>REGAL BELT, INC. ALL RIGHTS RESERVED.</small>
WAS ADDED THE SHAFT GUARD			THIRD ANGLE PROJECTION	SIZE D	DRAWING NUMBER OL56100457-001	SHEET 1 OF 1