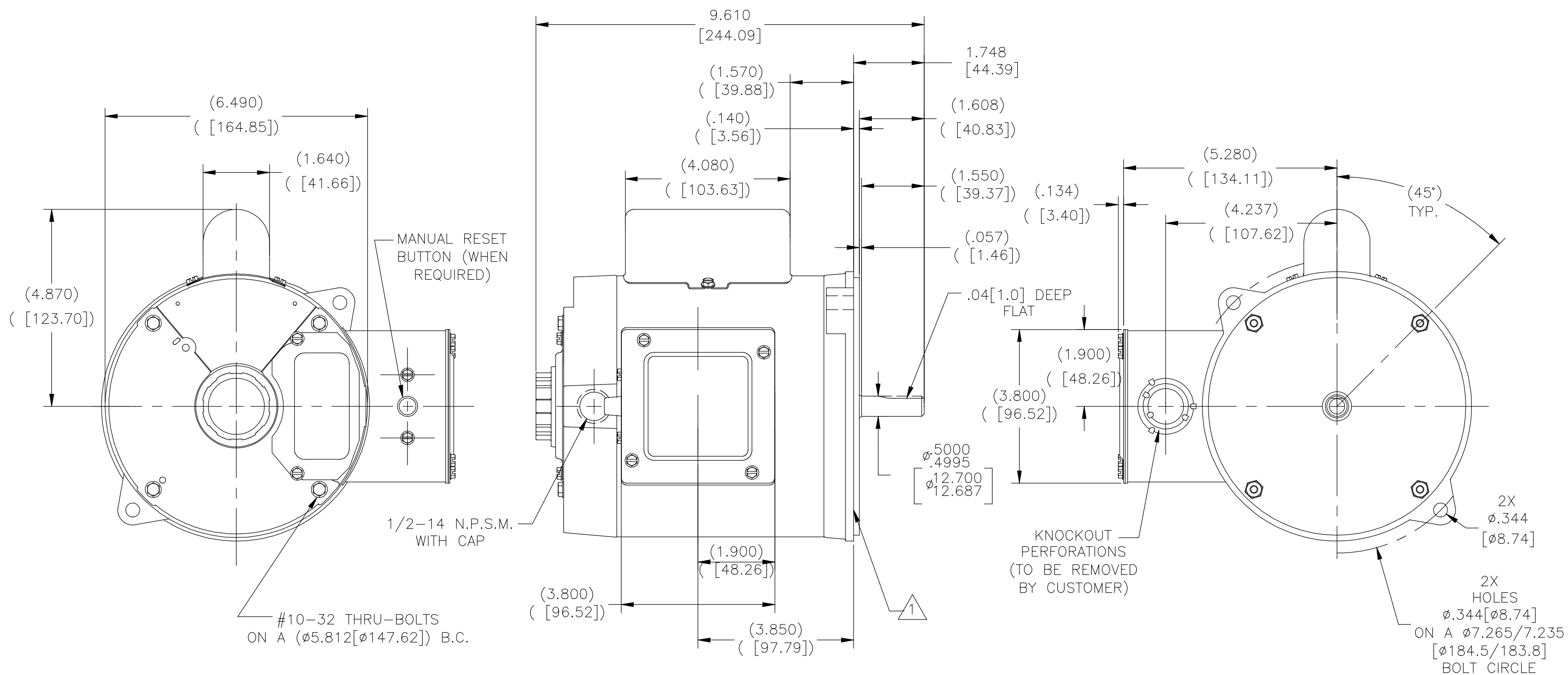


REV	ECO	REV BY	DATE	APPD	DATE
G	ECO-0169531	D.SURYAWANSHI	06/26/2019		



NOTES:

1 FACE OF MOUNTING FLANGE IS PERPENDICULAR TO SHAFT CENTERLINE WITHIN .004[.10] T.I.R.

2. SHAFT RUNOUT NOT TO EXCEED .002[.05] T.I.R.

ALL DIMENSIONS SHOWN IN PARENTHESIS ARE REFERENCE DIMENSIONS. ALL OTHER DIMENSIONS ARE TOLERANCED PER THE FOLLOWING CHART UNLESS OTHERWISE SPECIFIED.

	= +/- .055[1.40]
"C" DIM.	= +/- .034[.86]
SHAFT EXT.	= +/- 1.00[25.4]
LEAD LENGTHS	
EXTENDED THRU-BOLTS	= +/- .050[1.27]
ANGULAR DIMS.	= +/- 2 DEGS.

-01	CS	J56N
GROUP	TYPE	FRAME

GEOMETRIC CHARACTERISTICS & SYMBOLS

- FLATNESS
- STRAIGHTNESS
- ∠ ANGULARITY
- ⊥ PERPENDICULARITY (SQUARENESS)
- // PARALLELISM
- ROUNDNESS (CIRCULARITY)
- ⊘ CYLINDRICITY
- △ PROFILE OF ANY SURFACE
- ∩ PROFILE OF ANY LINE
- ↑ RUNOUT
- ⊕ TRUE POSITION
- ◎ CONCENTRICITY
- = SYMMETRY

ASME Y14.5M 1994

UNLESS OTHERWISE SPECIFIED DIM. TOLERANCES ARE AS FOLLOWS:

INCH	±.1	±.02	±.005	±.0005
mm	±0.5	±0.13	±0.13	

ANG. ±.50 DEG
REMOVE BURRS & BREAK SHARP EDGES:
INCH .003-.015 mm 0.1-0.4
CORNER FILLETS TO:
INCH .020 mm 0.5
MACHINE SURFACES:
INCH $\sqrt{3}$ mm $\sqrt{3}$

METRIC DIMS. SHOWN IN [BRACKETS]

DR BY:	SVR	04-26-1996
APPD:	SAS	04-30-1996
THIRD ANGLE PROJECTION	EDS DATE	11-11-2011
	FORMAT REV	G
CONFIDENTIAL: THIS DRAWING AND ITS INFORMATION ARE THE EXCLUSIVE AND CONFIDENTIAL PROPERTY OF REGAL-BELOIT CORPORATION AND ARE NOT TO BE DISCLOSED, DUPLICATED, DISTRIBUTED OR OTHERWISE USED WITHOUT THE WRITTEN CONSENT OF REGAL-BELOIT CORPORATION. -ALL RIGHTS RESERVED.		

DESCRIPTION		
OUTLINE		
SIZE	DWG NO	
C	188141	
SCALE	NONE	SHEET 1