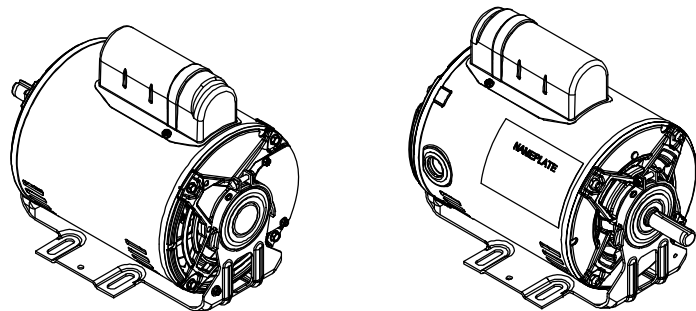
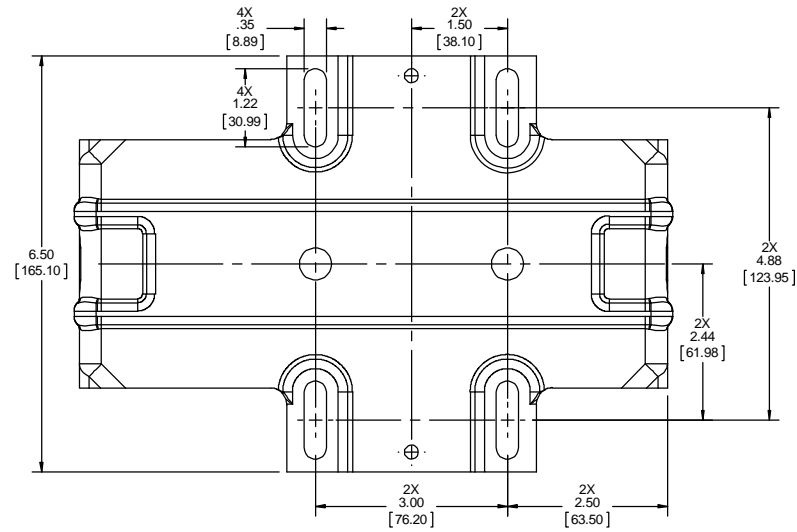
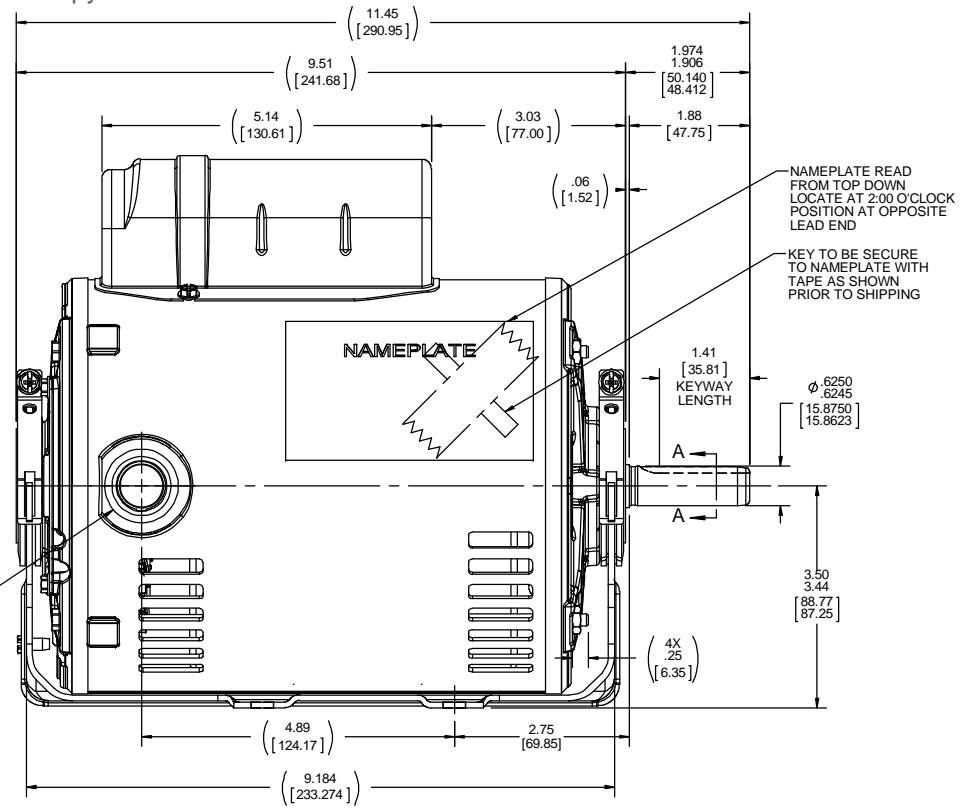


SECTION A-A



THREADED HOLE-
1/2-14 NPSM
PLUGGED



DRAWING REVISION A	REVISION BY	DATE	TOLERANCES UNLESS OTHERWISE SPECIFIED: DEC. INCH mm ANGLE .X ±0.1 [2.5] 30.5° .XX ±0.03 [0.76] .XXX ±0.005 [0.127] .XXXX ±0.0005 [0.0127]	DRAWN BY D.SURYAWANSHI	Regal Beloit America, Inc.
ECO-0142797	APPROVED BY	DATE	REMOVE BURRS & BREAK SHARP EDGES: .0031 [0.15] [0.76] / 38.11 X 45° CORNER FILLETS: 1. R. 02 [51]	DATE 06/04/2018	
ECO DESCRIPTION NEW DRAWING RELEASE COPYRIGHT REGAL BELOIT AMERICA, INC. ALL RIGHTS RESERVED. PROPRIETARY AND CONFIDENTIAL INFORMATION. THIS DOCUMENT IS THE PROPERTY OF REGAL BELOIT AMERICA, INC. FORMERLY AND CONTAINS OWNERS PROPRIETARY INFORMATION. ANY PERSON, CORPORATION OR OTHER FIRM RECEIVING IT IS DEEMED BY RECEIVING IT, TO AGREE THAT IT, AND/OR ANY PART OF IT, SHALL NOT BE DISCLOSED TO ANY PERSON, CORPORATION OR OTHER ENTITY, DUPLICATED, AND/OR USED, EXCEPT AS EXPRESSLY APPROVED IN WRITING IN ADVANCE BY OWNER. THIS DOCUMENT SHALL BE RETURNED TO OWNER UPON REQUEST. IT MAY BE SUBJECT TO CERTAIN RESTRICTIONS UNDER APPLICABLE EXPORT CONTROL LAWS AND REGULATIONS.			THIRD ANGLE PROJECTION 	APPROVED BY SN	DESCRIPTION OUTLINE 56FR, DP, 1-PHASE, RESILIENT
			MACHINED SURFACES: .125 / 3.2 INCH/ mm SHOWN IN [BRACKETS]	DATE 06/04/2018	MATERIAL OLME174739
				REFERENCE OLME174739	PROCESS FINISH
				SIZE C	DRAWING NUMBER OL56100480-001
				THIRD ANGLE PROJECTION 	SHEET 1 OF 1