

4

3

2

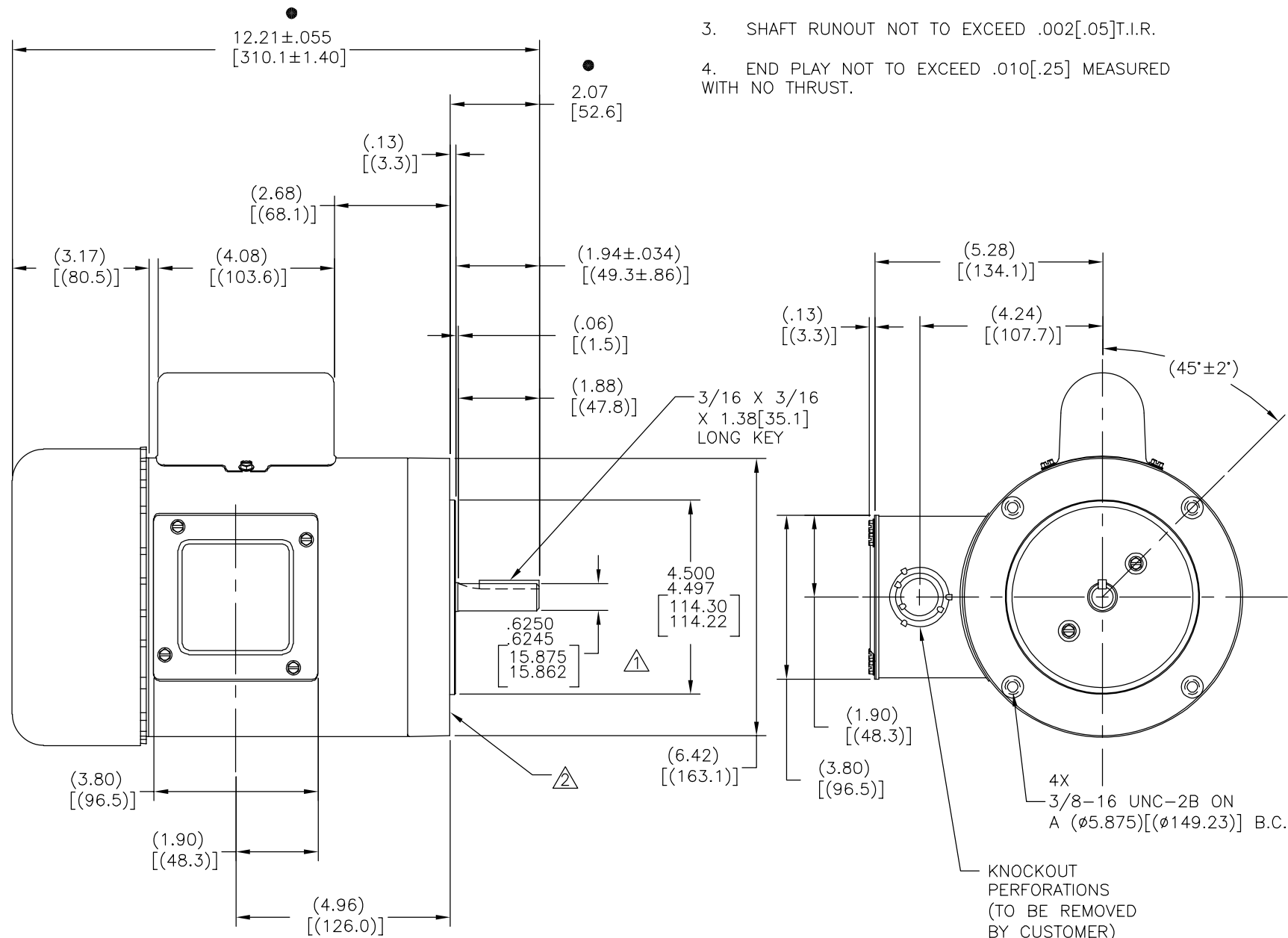
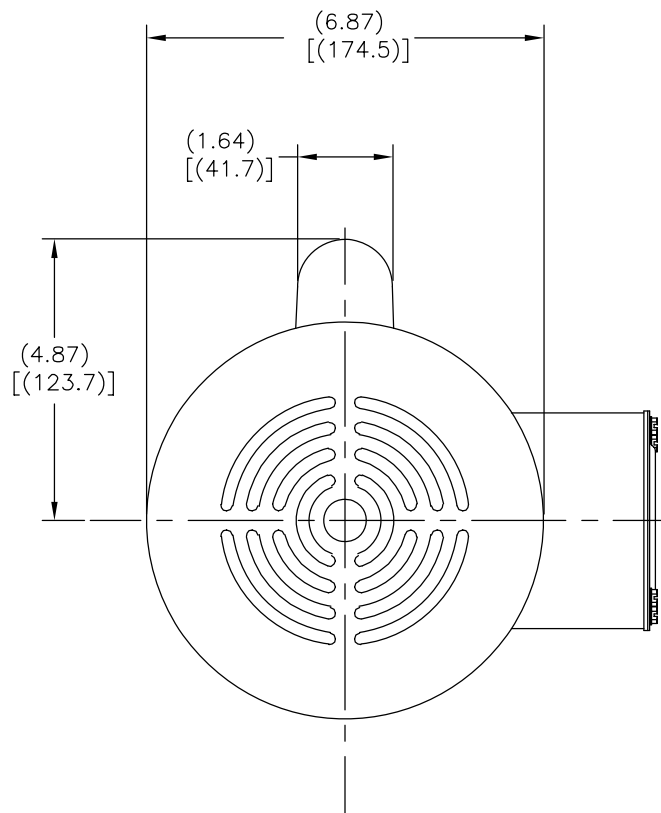
1

| | |
|------|-------|
| TYPE | FRAME |
| CS | G56C |

ALL DIMENSIONS SHOWN IN PARENTHESIS ARE REFERENCE DIMENSIONS. ALL OTHER DIMENSIONS ARE TOLERANCED PER CHART UNLESS OTHERWISE SPECIFIED

NOTES:

- 1. PILOT DIAMETER IS CONCENTRIC WITH SHAFT CENTERLINE WITHIN .004[.10]T.I.R.
- 2. FACE OF MOUNTING FLANGE IS PERPENDICULAR TO SHAFT CENTERLINE WITHIN .004[.10]T.I.R.
- 3. SHAFT RUNOUT NOT TO EXCEED .002[.05]T.I.R.
- 4. END PLAY NOT TO EXCEED .010[.25] MEASURED WITH NO THRUST.



● = CRITICAL DIMENSION

| | | | | | | |
|------------------------|---|--------------------|---|-----------------------------|----------------------------|---|
| DRAWING REVISION A | REVISION BY A. BAUGHMAN | DATE 05-27-2015 | TOLERANCES UNLESS OTHERWISE SPECIFIED DEC. INCH mm ANGLE .X ±0.1 [±2.5] ±0.5° .XX ±0.02 [±0.51] .XXX ±0.005 [±0.127] .XXXX ±0.0005 [±0.0127] | DRAWN BY: A. BAUGHMAN | Regal Beloit America, Inc. | |
| ECO ECO-0078578 | APPROVED BY A. BAUGHMAN | DATE 05-27-2015 | REMOVE BURRS & BREAK SHARP EDGES .003/.015 [0.076/.381] CORNER FILLETS .02 [0.51] MACHINED SURFACES .125 INCH / 3.2 mm SHOWN IN [BRACKETS] | DATE: 05-27-2015 | | DESCRIPTION MODEL-CFHP-56FR OUTLINE |
| ECO DESCRIPTION NEW | <small>COPYRIGHT REGAL BELOIT AMERICA, INC. ALL RIGHTS RESERVED. PROPRIETARY AND CONFIDENTIAL INFORMATION - THIS DOCUMENT IS THE PROPERTY OF REGAL BELOIT AMERICA, INC. (OWNER) AND CONTAINS OWNER'S PROPRIETARY INFORMATION. ANY PERSON, CORPORATION OR OTHER FIRM RECEIVING IT IS DEEMED, BY RECEIVING IT, TO AGREE THAT IT, AND/OR ANY PART OF IT, SHALL NOT BE DISCLOSED TO ANY PERSON, CORPORATION OR OTHER ENTITY, DUPLICATED, AND/OR USED, EXCEPT AS EXPRESSLY APPROVED IN WRITING IN ADVANCE BY OWNER. THIS DOCUMENT SHALL BE RETURNED TO OWNER UPON REQUEST. IT MAY BE SUBJECT TO CERTAIN RESTRICTIONS UNDER APPLICABLE EXPORT CONTROL LAWS AND REGULATIONS.</small> | | | APPROVED BY: A. BAUGHMAN | MATERIAL | PROCESS/FINISH |
| | | | | REFERENCE | | |
| | | | | THIRD ANGLE PROJECTION | SIZE DWG NO C 208V1 | SHEET 1 |

4

3

2

1