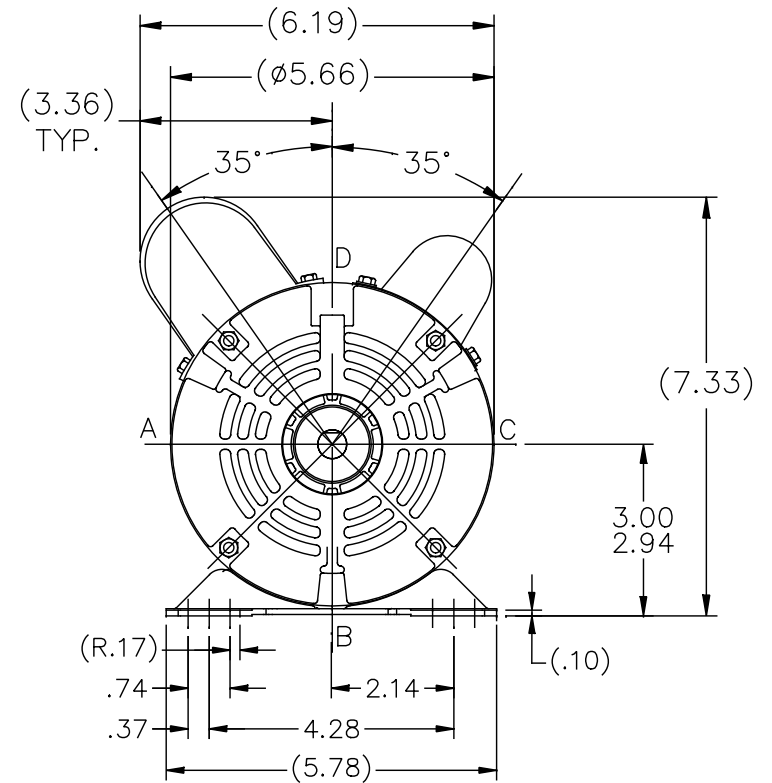
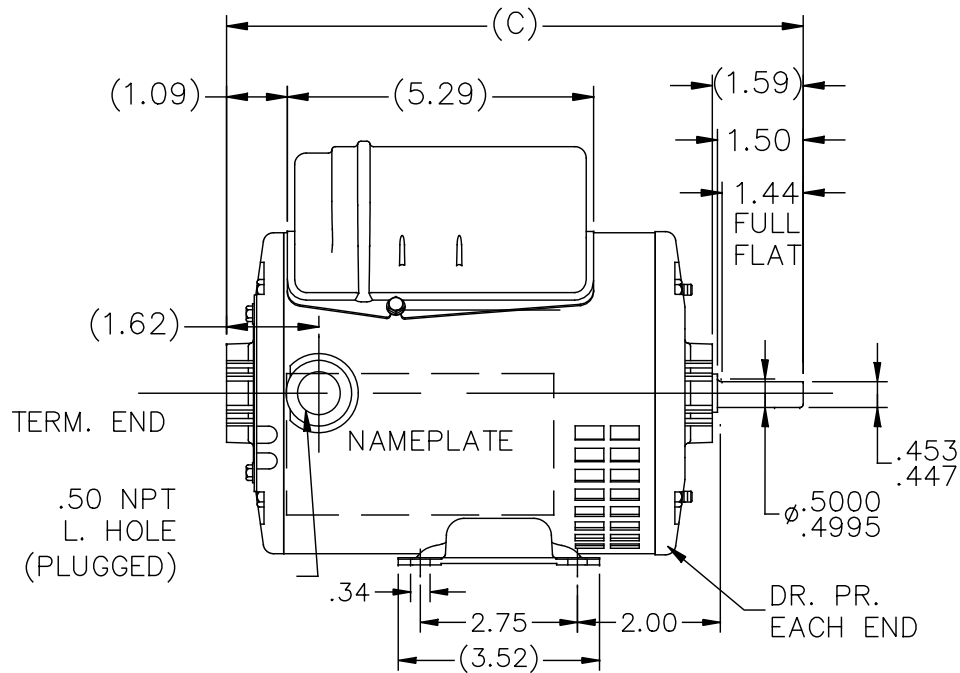


SS404232



DASH	FR	C	DASH	FR	C
625	48	9.84	725	48	10.84
650	48	10.09	750	48	11.09
675	48	10.34	775	48	11.34
700	48	10.59	800	48	11.59

		TOLERANCES UNLESS SPECIFIED		REGAL™ Regal Beloit America, Inc.		DRAWN AS 11/21/16	
		DEC.	INCHES	TITLE OUTLINE 48 FRAME		CHK PVR 11/21/16	
		.X	±.1			APPD	
		.XX	±.03			SCALE 1:1	
		.XXX	±.005			REF SS404128	
A	CREATED NEW DRAWING	AS	11/21/16	PVR	.XXXX	±.0005	MAT'L.
NO.	REVISION	BY & DATE	CHK	ANG	±7'30"	FINISH	PREV
THIS DRAWING IN DESIGN AND DETAIL IS OUR PROPERTY AND MUST NOT BE USED EXCEPT IN CONNECTION WITH OUR WORK ALL RIGHTS OF DESIGN AND INVENTION ARE RESERVED THIS IS AN ELECTRONICALLY GENERATED DOCUMENT - DO NOT SCALE THIS PRINT				RFP	CAD FILE SS404232		SIZE A
				DIST	WP	DRAWING NO. PAGE 1 OF 1	REV. A
						SS404232	