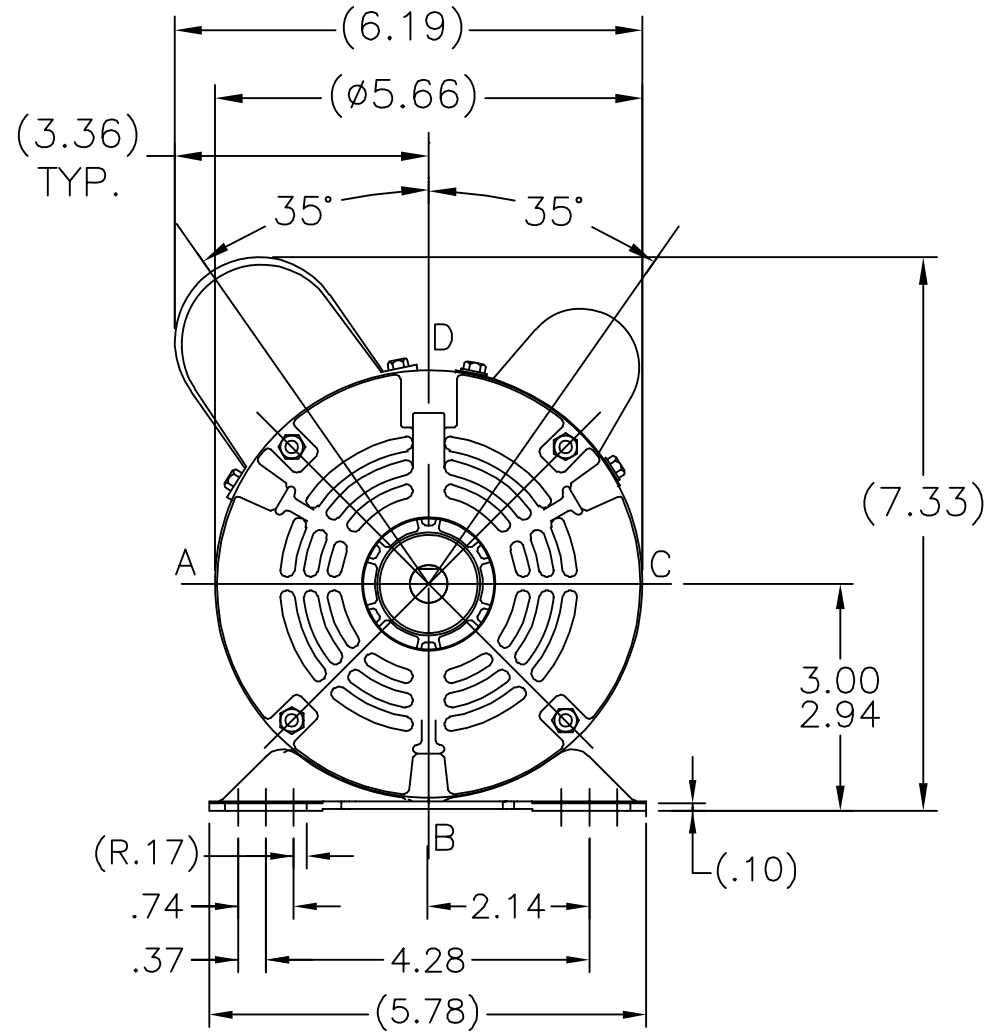
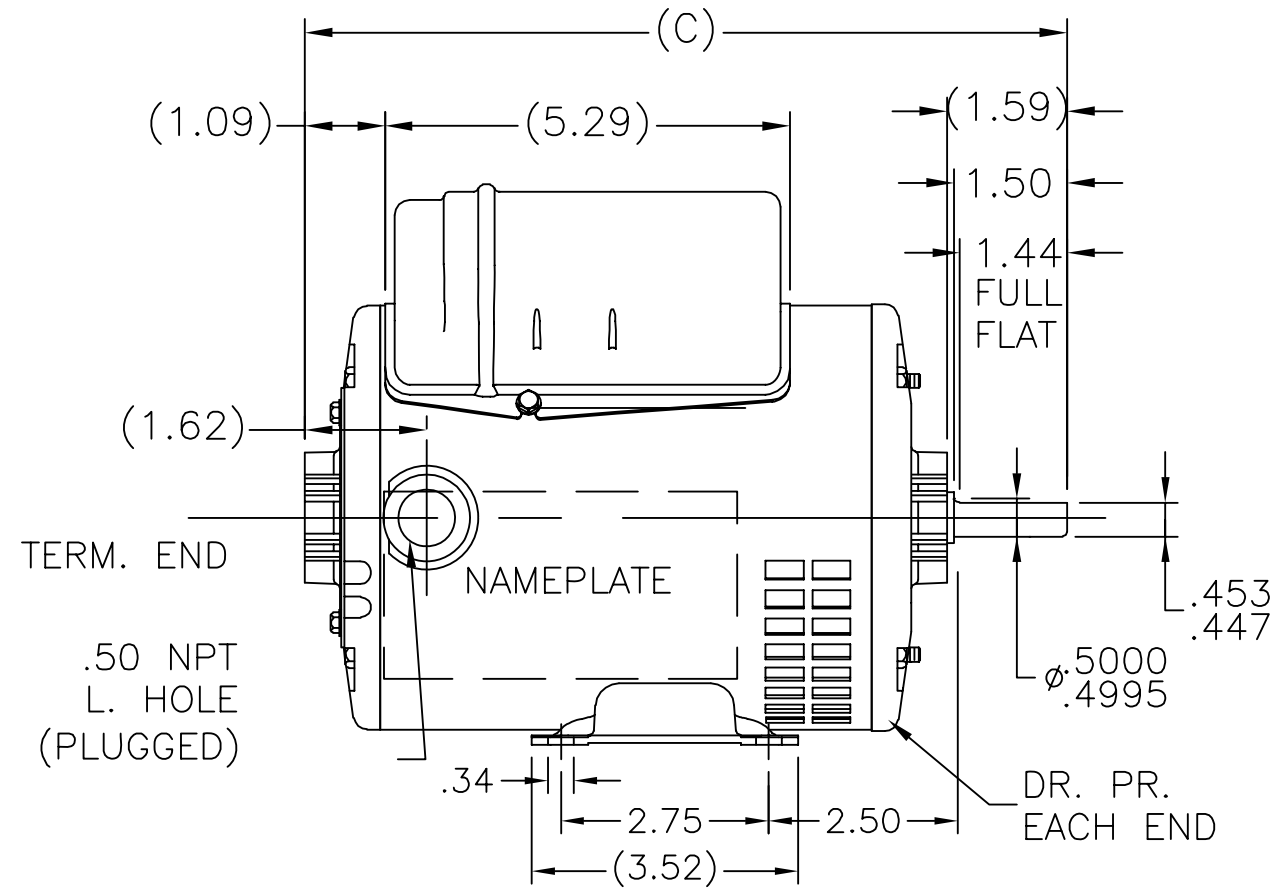



SS404128



DASH	FR	C	DASH	FR	C
625	48	9.84	725	48	10.84
650	48	10.09	750	48	11.09
675	48	10.34	775	48	11.34
700	48	10.59	800	48	11.59

		TOLERANCES UNLESS SPECIFIED		 REGAL-BELOIT CORPORATION		DRAWN PVR 12/22/14	
		DEC.	INCHES			CHK SM 12/22/2014	
		.X	±.1	TITLE OUTLINE 48 FRAME		APPD	
		.XX	±.03			SCALE 1:1	
		.XXX	±.005			REF SS404113	
A	CREATED NEW DRAWING	PVR 12/22/2014	VS	.XXXX	±.0005	MAT'L.	
NO.	REVISION	BY & DATE	CHK	ANG	±7'30"	FINISH	
THIS DRAWING IN DESIGN AND DETAIL IS OUR PROPERTY AND MUST NOT BE USED EXCEPT IN CONNECTION WITH OUR WORK ALL RIGHTS OF DESIGN AND INVENTION ARE RESERVED THIS IS AN ELECTRONICALLY GENERATED DOCUMENT - DO NOT SCALE THIS PRINT				RFP	CAD FILE SS404128	SIZE	DRAWING NO. PAGE 1 OF 1 REV.
				DIST	WP	A	SS404128 A