

GENERAL INFORMATION:

SHAFT RUNOUT: .001[.03] T.I.R. PER INCH LENGTH OF EXTENSION

BEARINGS: BALL

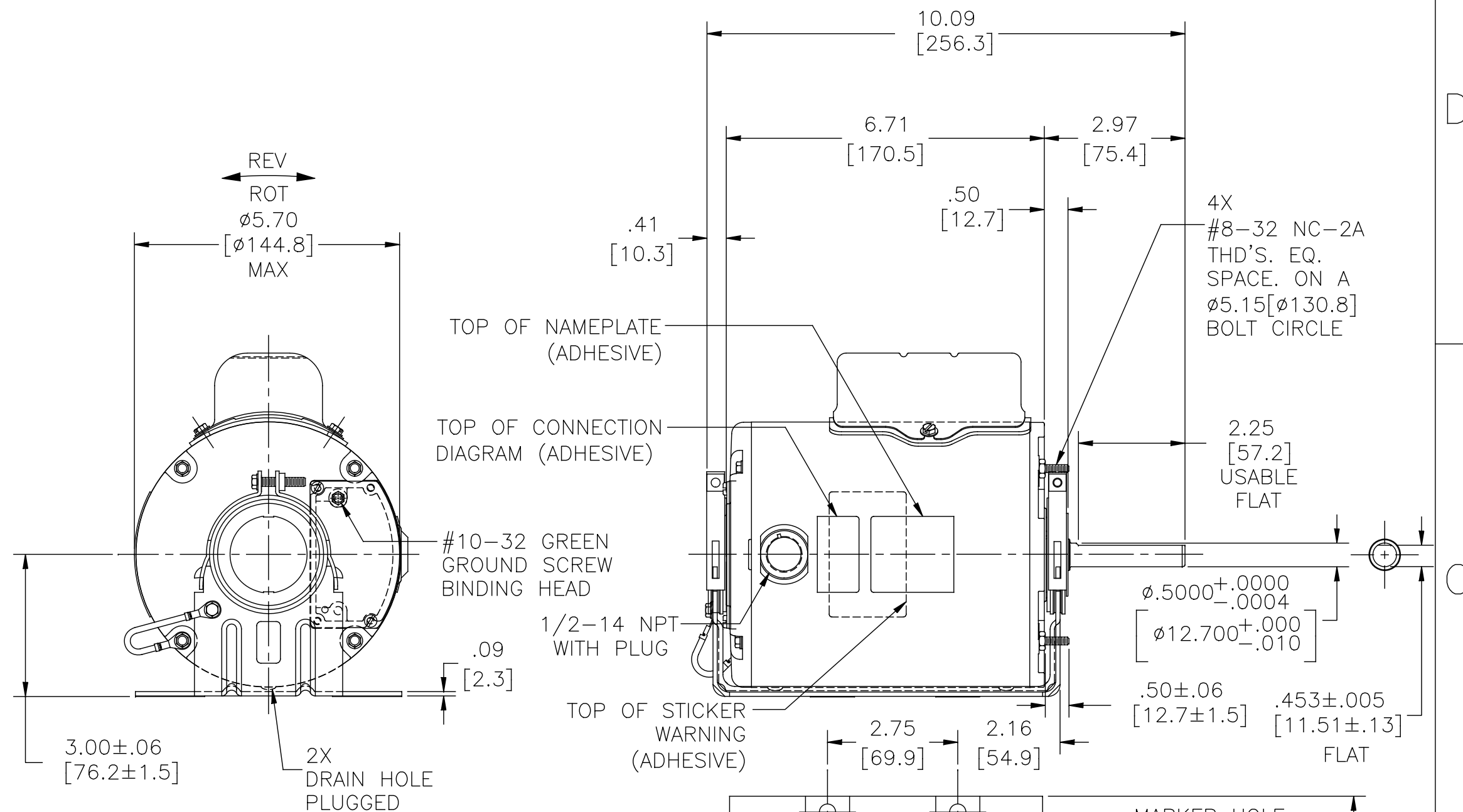
MOUNTING POSITION: HORIZONTAL

ELECTRICAL DATA:

OVERLOAD PROTECTOR: AUTOMATIC RESET (SENSATA 7AM 036)

LEADS: NO. 18 GA., .03[.8] THK. XLP 125°C INSUL.

GROUND LEAD: NO. 16 GA., .03[.8] THK., GREEN/YELLOW INSUL.



NOTES:

1. MOTOR TO BE SHIPPED CONNECTED FOR CCWLE ROTATION.

GREEN/YELLOW (GROUND)	CONNECTED TO BASE	#10 EYELET
YELLOW	CONNECTED TO CAPACITOR	.25[6.4] FLAG
PURPLE	CONNECTED TO CAPACITOR	.25[6.4] FLAG
WHITE	5.0/7.0 [127/178]	.25[6.4] FLAG
YELLOW	5.0/7.0 [127/178]	.25[6.4] FLAG
BROWN	5.0/7.0 [127/178]	.25[6.4] FLAG
BLUE	5.0/7.0 [127/178]	.25[6.4] FLAG
RED	5.0/7.0 [127/178]	.25[6.4] FLAG
COLOR	LENGTH	TERMINAL OR STRIP LENGTH

ENCLOSURE	DESCRIPTION
MAIN FRAME - OLE	ENCLOSED
END FRAME - OLE	ENCLOSED
MAIN FRAME - LE	ENCLOSED
END FRAME - LE	ENCLOSED

REGAL-BELOIT CORPORATION (RBC) PROVIDES TECHNICAL ASSISTANCE TO OUR CUSTOMERS IN SEVERAL AREAS. SINCE RBC DOES NOT RECEIVE ALL DATA CONCERNING THE USE AND APPLICATION OF THE MOTOR, THE SUITABILITY OF THE MOTOR FOR THE APPLICATION MUST BE DETERMINED BY THE CUSTOMER.

DIMENSIONS WITHOUT TOLERANCES ARE FOR REFERENCE ONLY.

CUSTOMER DISTRIBUTION SERVICE

NAMEPLATE DATA:	EXTERNAL CONNECTION DIAGRAM
MODEL NO.: F48AA62A01 CUST. P/N: C059A HP: 1/4 ROT.: REVERSIBLE RPM: 1100/2 SPD. TYPE: UF FRAME: 48Z VOLTS: 115 PH: 1 AMPS: 3.4 HZ: 60 INS.: B AMB.: 40° C DUTY: AIR OVER CAP.: 5 MFD/370 V ENCL: ENCLOSED UL LOGO CSA LOGO THERMALLY PROTECTED	<p>SHOWN FOR CCWLE ROTATION, FOR CWLE INTERCHANGE BROWN AND YELLOW LEADS</p>

614131-385

PERFORMANCE CURVE NO.	TORQUE @ 1100 RPM (25°C)	APPROVED SAMPLE	UL COMPONENT FILE #	CCN #	CSA FILE #	CLASS #
C32825	21.0 OZ. FT.	0701180D	E46412	PRGY2	LR43341	4211-01

DRAWING REVISION	REVISION BY	DATE
J	J. RUPERT	01-10-2017
ECO	APPROVED BY J. RUPERT	DATE 01-10-2017
ECO-0116161		
CORRECTED NAMEPLATE DATA		

COPYRIGHT REGAL BELOIT AMERICA, INC. ALL RIGHTS RESERVED. PROPRIETARY AND CONFIDENTIAL INFORMATION - THIS DOCUMENT IS THE PROPERTY OF REGAL BELOIT AMERICA, INC. (OWNER) AND CONTAINS OWNER'S PROPRIETARY INFORMATION. ANY PERSON, CORPORATION OR OTHER FIRM RECEIVING IT IS DEEMED, BY RECEIVING IT, TO AGREE THAT IT, AND/OR ANY PART OF IT, SHALL NOT BE DISCLOSED TO ANY PERSON, CORPORATION OR OTHER ENTITY, DUPLICATED, AND/OR USED, EXCEPT AS EXPRESSLY APPROVED IN WRITING IN ADVANCE BY OWNER. THIS DOCUMENT SHALL BE RETURNED TO OWNER UPON REQUEST. IT MAY BE SUBJECT TO CERTAIN RESTRICTIONS UNDER APPLICABLE EXPORT CONTROL LAWS AND REGULATIONS.

DRAWN BY:	DATE:
MH	02-01-2008
APPROVED BY:	DATE:
LX	06-26-2008
PROCESS/FINISH	DATE:

REGAL™	Regal Beloit America, Inc.
DESCRIPTION	
MODEL-RFHP-48FR OUTLINE	
MATERIAL	
THIRD ANGLE PROJECTION	SIZE DWG NO
C	C059A
SHEET	1