

GENERAL INFORMATION:

SHAFT RUNOUT: .001[.03] T.I.R. PER INCH LENGTH OF EXTENSION

BEARINGS: 203 BALL

MOUNTING POSITION: HORIZONTAL

ELECTRICAL DATA:

OVERLOAD PROTECTOR: AUTOMATIC RESET (SENSATA 7AM 036)

LEADS: NO. 18 GA., .03[.8] THK. 125°C XLP INSUL.

GROUND LEAD: NO. 18 GA., .03[.8] THK. GREEN/YELLOW INSUL.

NOTES:

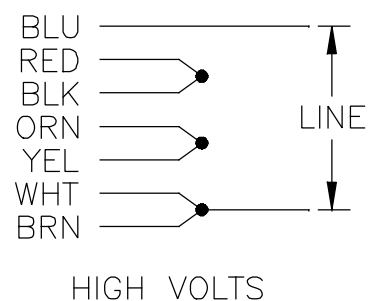
- SHIP SEPARATE 72T7140A-2
- DISTRIBUTION: CUST. P/N: C047A
GRAINGER: CUST. P/N: 2FGP9

SEE NOTE 2

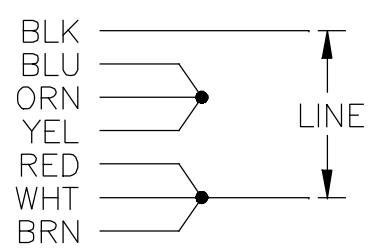
NAMEPLATE DATA:

MODEL NO.: F48Y33A01
 CUST. P/N: []
 HP: 1/2
 ROT.: REV
 RPM: 1100
 TYPE: UF
 FRAME: 48Z
 VOLTS: 115/230
 PH: 1
 AMPS: 6.5/3.25
 HZ: 60
 INS.: B
 AMB.: 40°C
 DUTY: AIR OVER
 CAP.: 10 MFD/370 V
 ENCL: ENCLOSED
 UL LOGO
 CSA LOGO
 THERMALLY PROTECTED

EXTERNAL CONNECTION DIAGRAM



HIGH VOLTS



LOW VOLTS

SHOWN FOR CCWLE ROTATION, FOR CWLE INTERCHANGE BROWN & YELLOW LEADS

D0000522-001

PERFORMANCE CURVE NO.	TORQUE @1100 RPM (25°C)	APPROVED SAMPLE	UL COMPONENT		CSA	
			FILE #	CCN #	FILE #	CLASS #
C32614	45.0 OZ. FT.	0600701A	E46412	PRGY2	LR43341	4211-01

COLOR	LENGTH	TERMINAL OR STRIP LENGTH
GREEN/YELLOW (GROUND)	3.0/5.0 [76/127]	#8 EYELET
BROWN	CONNECTED TO CAPACITOR	.25[6.4] FLAG
ORANGE	5.0/7.0 [127/178]	.50[12.8] STRIP
BLACK	5.0/7.0 [127/178]	.50[12.8] STRIP
YELLOW	5.0/7.0 [127/178]	.50[12.8] STRIP
WHITE	5.0/7.0 [127/178]	.50[12.8] STRIP
BROWN	5.0/7.0 [127/178]	.50[12.8] STRIP
BLUE	5.0/7.0 [127/178]	.50[12.8] STRIP
RED	5.0/7.0 [127/178]	.50[12.8] STRIP
BROWN	CONNECTED TO CAPACITOR	.25[6.4] FLAG

LEAD DATA

DRAWING REVISION	REVISION BY	DATE
P	JERRY, CHAI	10-10-2018
ECO	JERRY, CHAI	10-10-2018
ECO-0154221	JERRY, CHAI	10-10-2018
ECO DESCRIPTION	SEE ECO	

COPYRIGHT REGAL BELOIT AMERICA, INC. ALL RIGHTS RESERVED. PROPRIETARY AND CONFIDENTIAL INFORMATION - THIS DOCUMENT IS THE PROPERTY OF REGAL BELOIT AMERICA, INC. ("OWNER") AND CONTAINS OWNER'S PROPRIETARY INFORMATION. ANY PERSON, CORPORATION OR OTHER FIRM RECEIVING IT IS DEEMED, BY RECEIVING IT, TO AGREE THAT IT, AND/OR ANY PART OF IT, SHALL NOT BE DISCLOSED TO ANY PERSON, CORPORATION OR OTHER ENTITY, DUPLICATED, AND/OR USED, EXCEPT AS EXPRESSLY APPROVED IN WRITING IN ADVANCE BY OWNER. THIS DOCUMENT SHALL BE RETURNED TO OWNER UPON REQUEST. IT MAY BE SUBJECT TO CERTAIN RESTRICTIONS UNDER APPLICABLE EXPORT CONTROL LAWS AND REGULATIONS.

MAIN FRAME - OLE	ENCLOSED
END FRAME - OLE	ENCLOSED
MAIN FRAME - LE	ENCLOSED
END FRAME - LE	ENCLOSED

ENCLOSURE

DRAWN BY:	KKUGEL
DATE:	11-20-2006
APPROVED BY:	JPENG
DATE:	02-01-2007
PROCESS/FINISH	

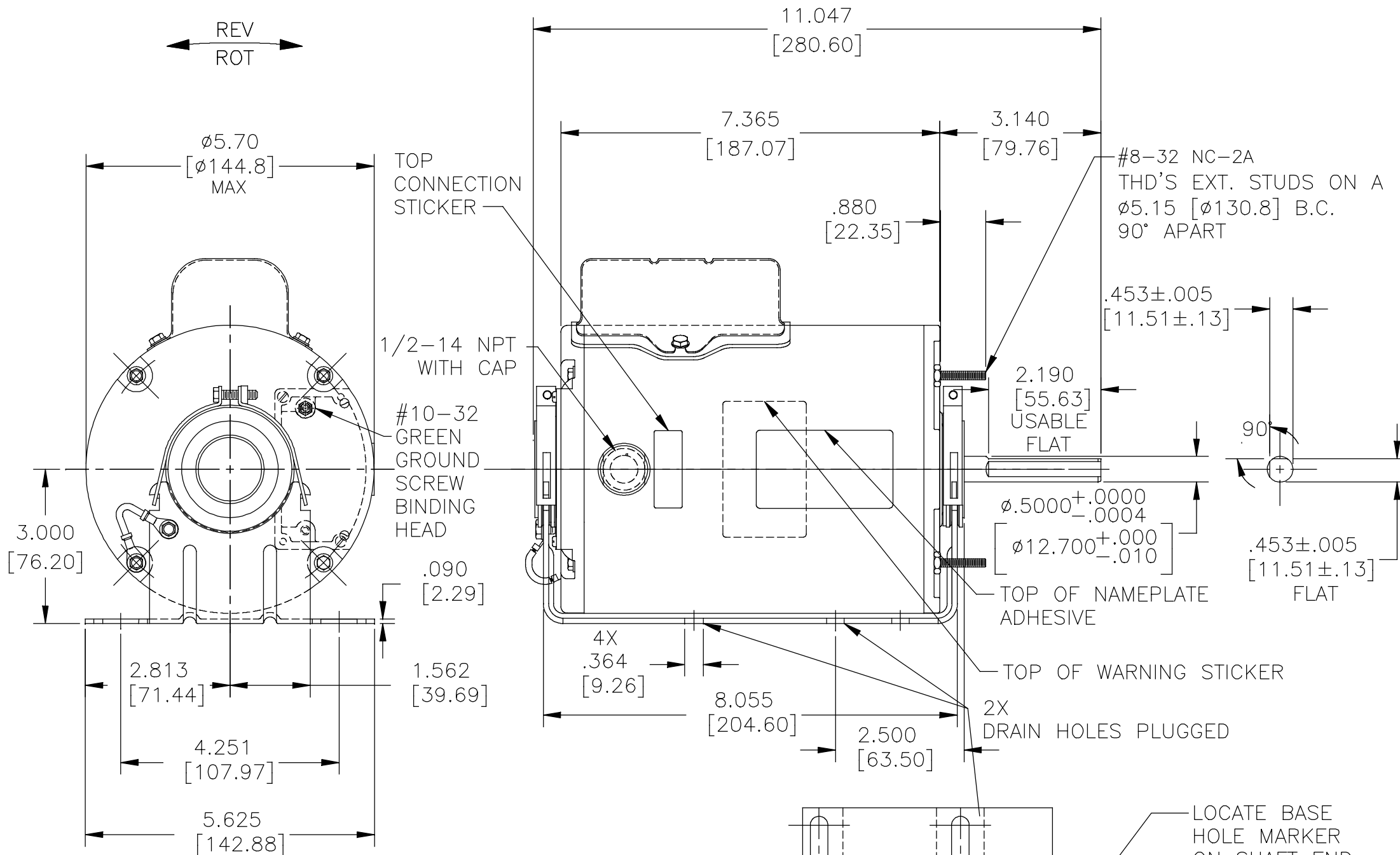
REGAL Regal Beloit America, Inc.

DESCRIPTION
MODEL-RFHP-48FR
OUTLINE

MATERIAL

SIZE DWG NO
C F48Y33A01

SHEET
1



REGAL-BELOIT CORPORATION (RBC) PROVIDES TECHNICAL ASSISTANCE TO OUR CUSTOMERS IN SEVERAL AREAS. SINCE RBC DOES NOT RECEIVE ALL DATA CONCERNING THE USE AND APPLICATION OF THE MOTOR, THE SUITABILITY OF THE MOTOR FOR THE APPLICATION MUST BE DETERMINED BY THE CUSTOMER.

DIMENSIONS WITHOUT TOLERANCES ARE FOR REFERENCE ONLY.

CUSTOMER DISTRIBUTION SERVICES