

GENERAL INFORMATION:

SHAFT RUNOUT: .001[.03] T.I.R. PER INCH LENGTH OF EXTENSION

BEARINGS: BALL

POSITION: ALL ANGLE
MOUNTING

ELECTRICAL DATA:

OVERLOAD PROTECTOR: AUTOMATIC RESET (SENSATA 7AM 034)

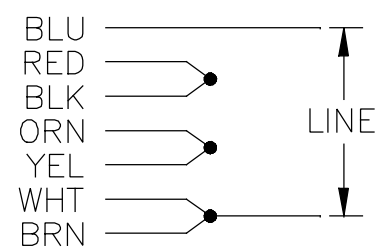
LEADS: NO. 18 GA., .03[.8] THK. XLP 125°C INSUL.

GROUND LEAD: NO. 18 GA., .03[.8] THK. GRN/YEL. INSUL.

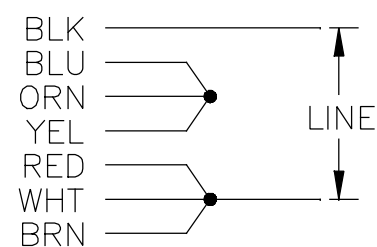
NAMEPLATE DATA:

MODEL NO.: F48Z22A01
CUST. P/N: SEE NOTE
HP: 1/4
ROT.: REV
RPM: 1100
TYPE: UF
FRAME: 48Z
VOLTS: 115/230
PH: 1
AMPS: 4.0/2.0
HZ: 60
INS.: B
AMB.: 40°C
DUTY: AIR OVER
CAP.: 6MFD/370 V
ENCL: ENCLOSED
UL LOGO
CSA LOGO
THERMALLY PROTECTED

EXTERNAL CONNECTION DIAGRAM



HIGH VOLTS

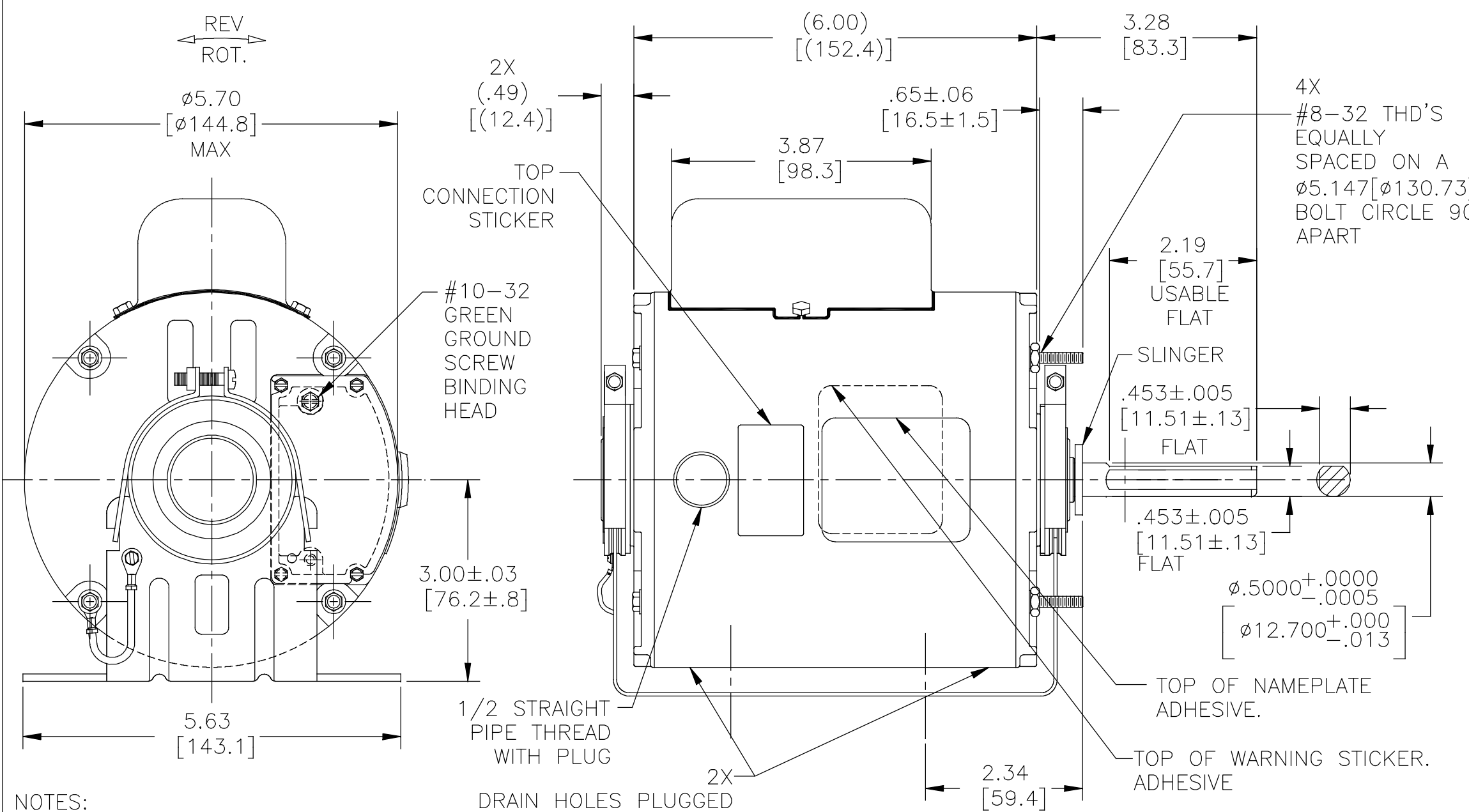


LOW VOLTS

SHOWN FOR CCWLE ROTATION, FOR CWLE INTERCHANGE BROWN & YELLOW LEADS

D0000522-001

PERFORMANCE CURVE NO.	TORQUE @1100 RPM (25°C)	APPROVED SAMPLE	UL COMPONENT FILE #	CCN #	CSA FILE #	CLASS #
C32687	25.8 OZ. FT.	0603096A	E46412	PRGY2	LR43341	4211-01



- NOTES:
1. SHIP SEPERATE 72T7176A-12
2. SHIP SEPERATE 72T7140A-2
3. DISTRIBUTION SERVICE CUST. P/N: C045A
GRAINGER CUST. P/N: 2FGR2

BROWN	5.0/7.0 [127/178]	.50[12.7] STRIP
GRN/YEL (GRD)	3.0/5.0 [76/127]	#10 EYELET
BLUE	5.0/7.0 [127/178]	.50[12.7] STRIP
RED	5.0/7.0 [127/178]	.50[12.7] STRIP
BLACK	5.0/7.0 [127/178]	.50[12.7] STRIP
ORANGE	5.0/7.0 [127/178]	.50[12.7] STRIP
YELLOW	5.0/7.0 [127/178]	.50[12.7] STRIP
WHITE	5.0/7.0 [127/178]	.50[12.7] STRIP
BROWN	CONNECTED TO CAPACITOR	.25[6.4] FLAG
BROWN	CONNECTED TO CAPACITOR	.25[6.4] FLAG
COLOR	LENGTH	TERMINAL OR STRIP LENGTH

MAIN FRAME - OLE	ENCL.
END FRAME - OLE	ENCL.
MAIN FRAME - LE	ENCL.
END FRAME - LE	ENCL.

REGAL-BELOIT CORPORATION (RBC) PROVIDES TECHNICAL ASSISTANCE TO OUR CUSTOMERS IN SEVERAL AREAS. SINCE RBC DOES NOT RECEIVE ALL DATA CONCERNING THE USE AND APPLICATION OF THE MOTOR, THE SUITABILITY OF THE MOTOR FOR THE APPLICATION MUST BE DETERMINED BY THE CUSTOMER.

DIMENSIONS WITHOUT TOLERANCES ARE FOR REFERENCE ONLY.

CUSTOMER DIST. SERVICES

DRAWING REVISION	REVISION BY	DATE
C	JERRY CHAI	10-10-2018
ECO	JERRY CHAI	10-10-2018
ECO-0154221	JERRY CHAI	10-10-2018

ECO DESCRIPTION
SEE ECO

COPYRIGHT REGAL BELOIT AMERICA, INC. ALL RIGHTS RESERVED. PROPRIETARY AND CONFIDENTIAL INFORMATION - THIS DOCUMENT IS THE PROPERTY OF REGAL BELOIT AMERICA, INC. (OWNER) AND CONTAINS OWNER'S PROPRIETARY INFORMATION. ANY PERSON, CORPORATION OR OTHER FIRM RECEIVING IT IS DEEMED, BY RECEIVING IT, TO AGREE THAT IT, AND/OR ANY PART OF IT, SHALL NOT BE DISCLOSED TO ANY PERSON, CORPORATION OR OTHER ENTITY, DUPLICATED, AND/OR USED, EXCEPT AS EXPRESSLY APPROVED IN WRITING IN ADVANCE BY OWNER. THIS DOCUMENT SHALL BE RETURNED TO OWNER UPON REQUEST. IT MAY BE SUBJECT TO CERTAIN RESTRICTIONS UNDER APPLICABLE EXPORT CONTROL LAWS AND REGULATIONS.

ENCLOSURE

DRAWN BY:	J.M. RAMIREZ
DATE:	01-14-2013
APPROVED BY:	E.BAEZA
DATE:	01-14-2013
PROCESS/FINISH	
THIRD ANGLE PROJECTION	

REGAL ™	Regal Beloit America, Inc.
DESCRIPTION	MODEL-RFHP-48FR OUTLINE
MATERIAL	
SIZE	DWG NO C045A
SHEET	1