

GENERAL INFORMATION:

SHAFT RUNOUT: .001[.025] T.I.R. PER INCH LENGTH OF EXTENSION

BEARINGS: 203 BALL

MOUNTING POSITION: ALL ANGLE

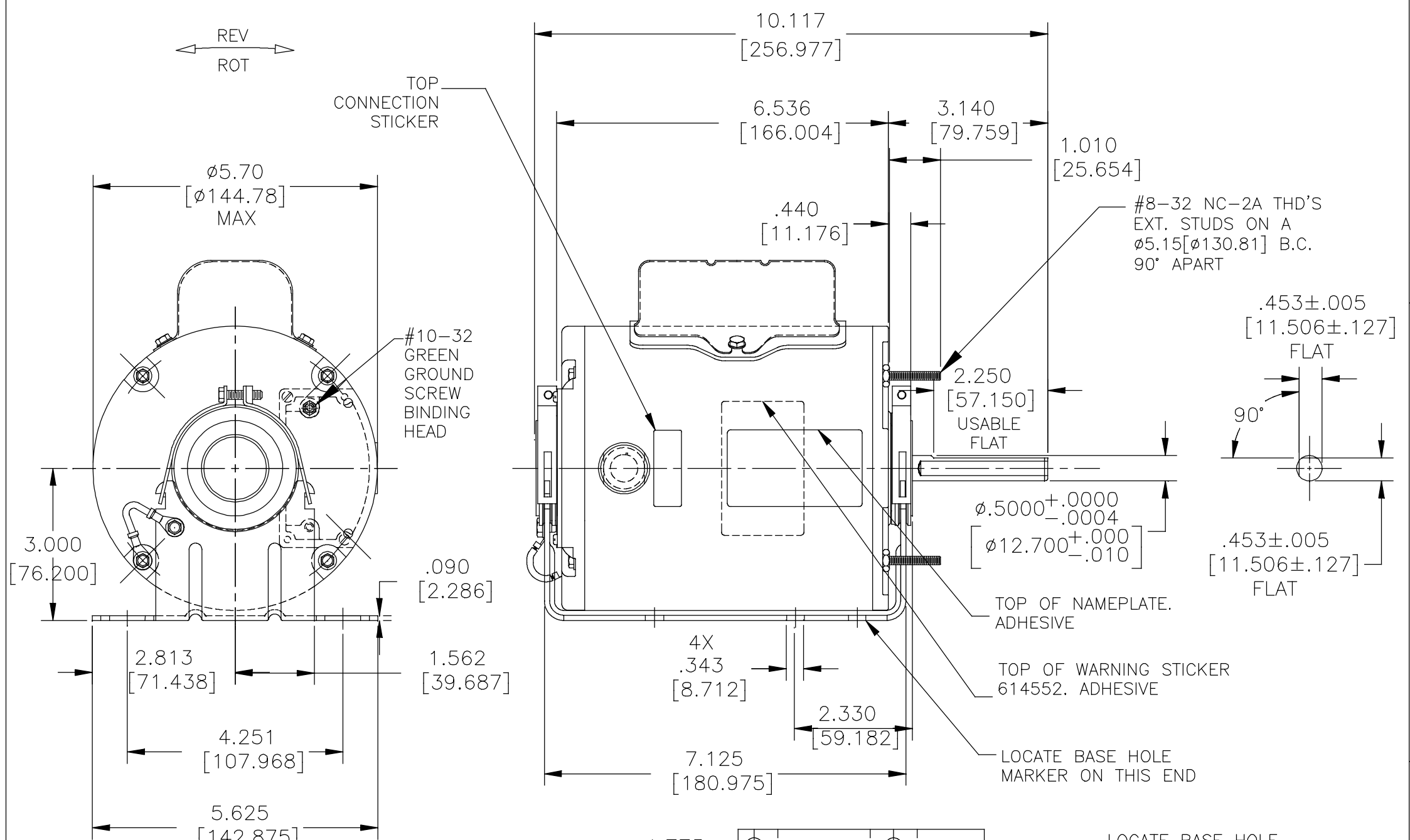
ELECTRICAL DATA:

OVERLOAD PROTECTOR: AUTOMATIC RESET (SENSATA 7AM 036)

LEADS: NO. 18 GA., .03[.76] THK. 125°C XLP INSUL.

GROUND LEAD: NO. 18 GA., .03[.76] THK. GRN/YEL. INSUL.

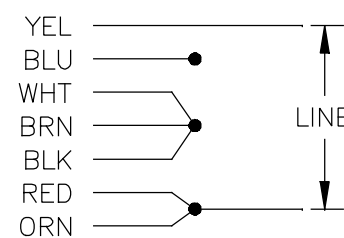
NOTES:
1. SHIP SEPARATE 72T7140A-2



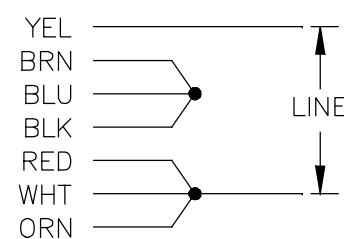
NAMEPLATE DATA:

MODEL NO.: F48Y36A01
CUST. P/N: C042A
HP: 1/4
ROT.: REV
RPM: 1700
TYPE: UF
FRAME: 48Z
VOLTS: 115/230
PH: 1
AMPS: 3.4/1.7
HZ: 60
INS.: B
AMB.: 40°C
DUTY: AIR OVER
CAP.: 7.5 MFD/370 V
ENCL: ENCLOSED
UL LOGO
CSA LOGO
THERMALLY PROTECTED

EXTERNAL CONNECTION DIAGRAM



HIGH VOLTS

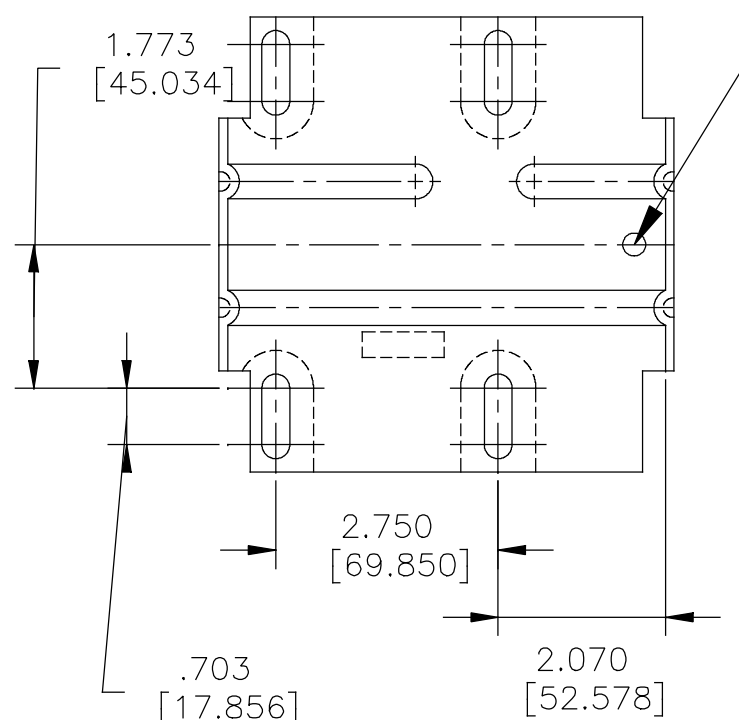


LOW VOLTS

SHOWN FOR CCWLE ROTATION, FOR CWLE INTERCHANGE BROWN & YELLOW LEADS

614131-342

GRN/YEL (GRD)	3.0/5.0 [76.0/127.0]	#10 EYELET
ORANGE	5.0/6.0 [127.0/152.0]	.50[12.70] STRIP
RED	5.0/6.0 [127.0/152.0]	.50[12.70] STRIP
BROWN	5.0/6.0 [127.0/152.0]	.50[12.70] STRIP
WHITE	5.0/6.0 [127.0/152.0]	.50[12.70] STRIP
BLACK	5.0/6.0 [127.0/152.0]	.50[12.70] STRIP
BLUE	5.0/6.0 [127.0/152.0]	.50[12.70] STRIP
YELLOW	5.0/6.0 [127.0/152.0]	.50[12.70] STRIP
BLACK	CONNECTED TO CAPACITOR	.25[6.35] FLAG
BLACK	CONNECTED TO CAPACITOR	.25[6.35] FLAG
COLOR	LENGTH	TERMINAL OR STRIP LENGTH



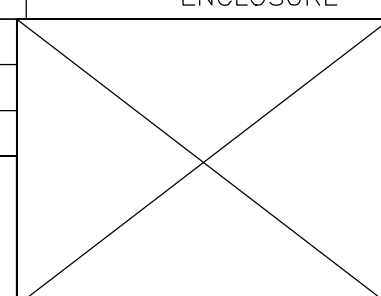
ENCLOSURE	
MAIN FRAME - OLE	ENCL.
END FRAME - OLE	ENCL.
MAIN FRAME - LE	ENCL.
END FRAME - LE	ENCL.

REGAL-BELOIT CORPORATION (RBC) PROVIDES TECHNICAL ASSISTANCE TO OUR CUSTOMERS IN SEVERAL AREAS. SINCE RBC DOES NOT RECEIVE ALL DATA CONCERNING THE USE AND APPLICATION OF THE MOTOR, THE SUITABILITY OF THE MOTOR FOR THE APPLICATION MUST BE DETERMINED BY THE CUSTOMER.

DIMENSIONS WITHOUT TOLERANCES ARE FOR REFERENCE ONLY.

PERFORMANCE CURVE NO.	TORQUE @1700 RPM (25°C)	APPROVED SAMPLE	UL COMPONENT		CSA	
			FILE #	CCN #	FILE #	CLASS #
C32618	18.9 OZ. FT.	0601686A	E46412	PRGY2	LR43341	4211-01

LEAD DATA		
DRAWING REVISION B	REVISION BY J. CHAI	DATE 10-10-2018
ECO 0154221	APPROVED BY J. CHAI	DATE 10-10-2018
ECO DESCRIPTION SEE ECO		



DRAWN BY: SRECKERS	REGAL™ Regal Beloit America, Inc.	
DATE: 11-16-2006	DESCRIPTION: MODEL-RFHP-48FR OUTLINE	
APPROVED BY: TR	MATERIAL:	
DATE: 11-14-2006	PROCESS/FINISH:	
THIRD ANGLE PROJECTION	SIZE DWG NO: C	SHEET 1