

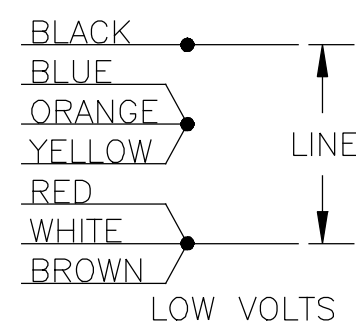
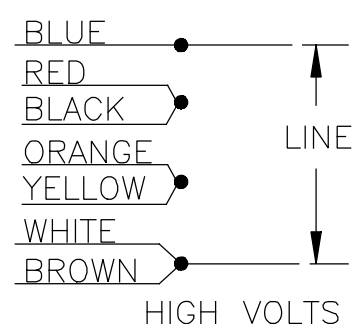
GENERAL INFORMATION:

SHAFT RUNOUT: .001[.03] T.I.R. PER INCH LENGTH OF EXTENSION
 BEARINGS: BALL
 MOUNTING POSITION: HORIZONTAL
ELECTRICAL DATA:
 OVERLOAD PROTECTOR: AUTOMATIC RESET (SENSATA 7AM036)
 LEADS: NO. 18 GA., .03[.8] THK. XLP 125°C INSUL.
 GROUND LEAD: NO. 18 GA., .03[.8] THK. (GRN/YEL) INSUL.

NAMEPLATE DATA:

MODEL NO.: F48Z92A01
 CUST. P/N: C039A
 HP: 1/2
 ROT.: REV.
 RPM: 825
 TYPE: UF
 FRAME: 48Z
 VOLTS: 115/230
 PH: 1
 AMPS: 7.1/3.6
 HZ: 60
 INS.: B
 AMB.: 40 °C
 DUTY: AIR OVER
 CAP.: 30 MFD/370V
 ENCL: ENCLOSED
 UL LOGO
 CSA LOGO
 THERMALLY PROTECTED

EXTERNAL CONNECTION DIAGRAM



SHOWN FOR CWLE ROTATION, FOR CWLE INTERCHANGE BROWN & YELLOW LEADS
 D0000522-001

PERFORMANCE CURVE NO.	TORQUE @825 RPM (25°C)	APPROVED SAMPLE	UL COMPONENT FILE #	CCN #	CSA FILE # CLASS #	
C32754	61.0 OZ.FT.	0604337B	E46412	PRGY2	LR43341	4211-01

COLOR	LENGTH	TERMINAL OR STRIP LENGTH
GREEN/YELLOW (GRD)	3.0/5.0 [76/127]	#10 EYELET
BROWN	CONNECTED TO CAP.	.25[6.4] FLAG
BROWN	CONNECTED TO CAP.	.25[6.4] FLAG
BROWN	5.0/7.0 [127/178]	.50[12.7] SKIN
BLACK	5.0/7.0 [127/178]	.50[12.7] SKIN
BLUE	5.0/7.0 [127/178]	.50[12.7] SKIN
YELLOW	5.0/7.0 [127/178]	.50[12.7] SKIN
ORANGE	5.0/7.0 [127/178]	.50[12.7] SKIN
WHITE	5.0/7.0 [127/178]	.50[12.7] SKIN
RED	5.0/7.0 [127/178]	.50[12.7] SKIN

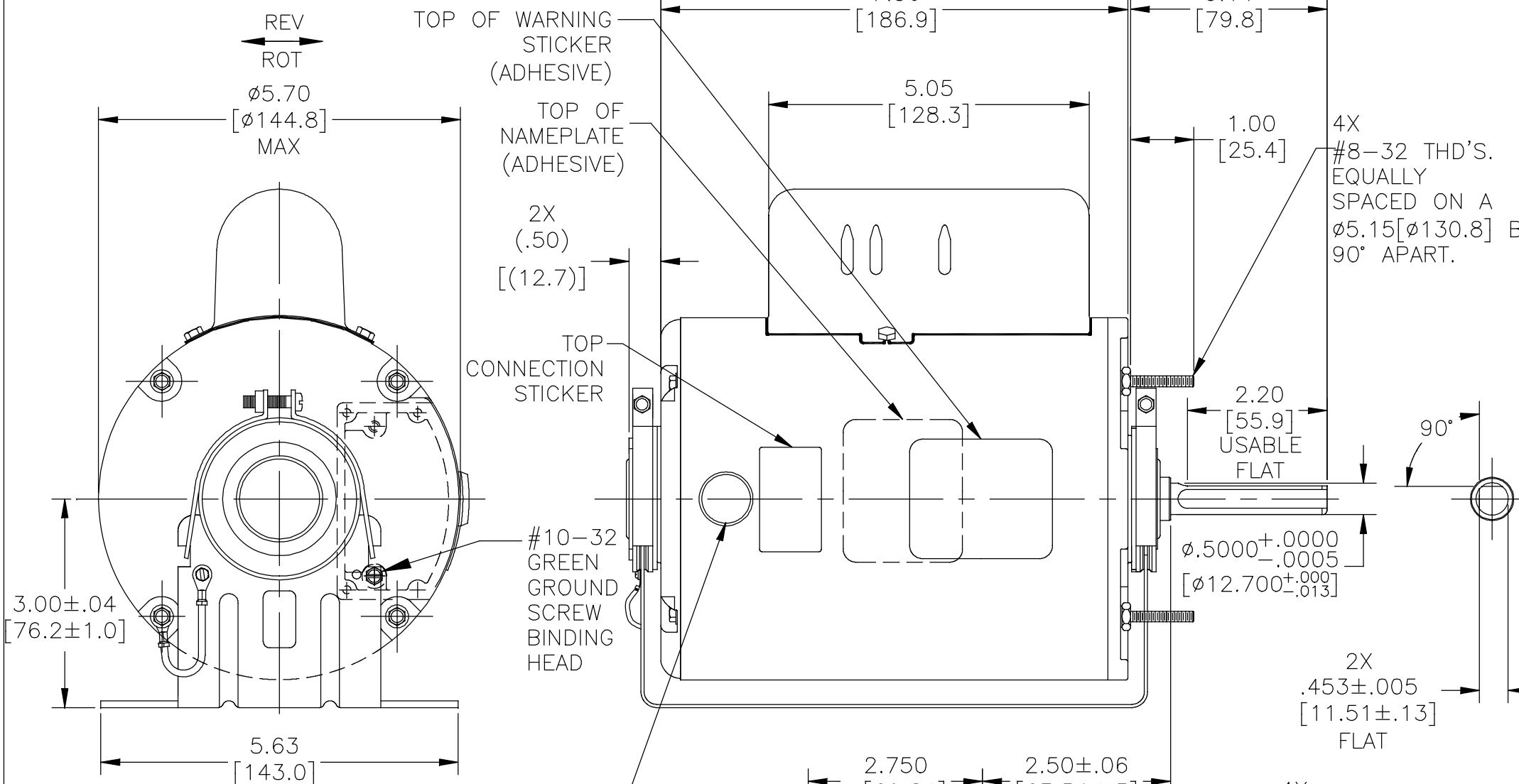
LEAD DATA

MAIN FRAME - OLE	ENCLOSED
END FRAME - OLE	ENCLOSED
MAIN FRAME - LE	ENCLOSED
END FRAME - LE	ENCLOSED

ENCLOSURE

DRAWN BY: MEIYU HE
 DATE: 08-16-2007
 APPROVED BY: TR
 DATE: 02-25-2008
 REFERENCE: .
 THIRD ANGLE PROJECTION

REGAL Regal Beloit America, Inc.
 DESCRIPTION: MODEL-RFHP-48FR OUTLINE
 MATERIAL: .
 PROCESS/FINISH: .
 SIZE DWG NO: F48Z92A01
 SHEET 1



- NOTE:
 1. (1) SPACER 17P90-1;(2) NUTS 22PH8-D4;(2) WASHER 34P315-1;(1) KEY 35P8-4 TO BE PUT IN POLY BAG AND SHIPPED SEPARATE IN EACH CARTON WITH MOTOR.
 2. MOTOR TO BE SHIPPED CONNECTER FOR CWLE ROTATION AND 115V.

REGAL-BELOIT CORPORATION (RBC) PROVIDES TECHNICAL ASSISTANCE TO OUR CUSTOMERS IN SEVERAL AREAS. SINCE RBC DOES NOT RECEIVE ALL DATA CONCERNING THE USE AND APPLICATION OF THE MOTOR, THE SUITABILITY OF THE MOTOR FOR THE APPLICATION MUST BE DETERMINED BY THE CUSTOMER.

DIMENSIONS WITHOUT TOLERANCES ARE FOR REFERENCE ONLY.

DRAWING REVISION: G
 REVISION BY: JERRY CHAI
 DATE: 10-10-2018
 ECO: ECO-0154221
 APPROVED BY: JERRY CHAI
 DATE: 10-10-2018
 ECO DESCRIPTION: SEE ECO
 COPYRIGHT REGAL-BELOIT AMERICA, INC. ALL RIGHTS RESERVED. PROPRIETARY AND CONFIDENTIAL INFORMATION - THIS DOCUMENT IS THE PROPERTY OF REGAL-BELOIT AMERICA, INC. (OWNER) AND CONTAINS OWNER'S PROPRIETARY INFORMATION. ANY PERSON, CORPORATION OR OTHER FIRM RECEIVING IT IS DEEMED, BY RECEIVING IT, TO AGREE THAT IT, AND/OR ANY PART OF IT, SHALL NOT BE DISCLOSED TO ANY PERSON, CORPORATION OR OTHER ENTITY, DUPLICATED, AND/OR USED, EXCEPT AS EXPRESSLY APPROVED IN WRITING IN ADVANCE BY OWNER. THIS DOCUMENT SHALL BE RETURNED TO OWNER UPON REQUEST. IT MAY BE SUBJECT TO CERTAIN RESTRICTIONS UNDER APPLICABLE EXPORT CONTROL LAWS AND REGULATIONS.