

4

3

2

1

D

D

C

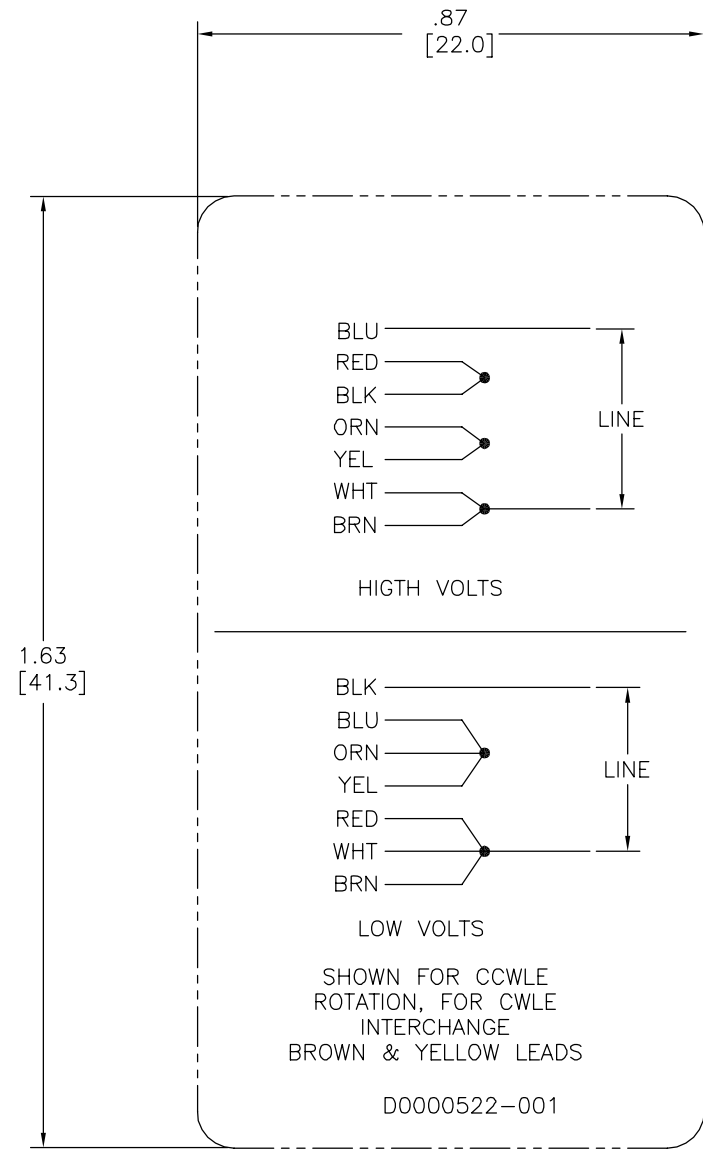
C

B

B

A

A



NOTES:

1. FOR USE WITH 614129 NAMEPLATE BLANK
2. ———— INDICATES DIMENSION LIMITS
3. DIE TO BE MADE FROM MASTER SUPPLIED BY A. O. SMITH CORPORATION
4. DIE MUST PRODUCE A LEGIBLE IMPRESSION.

DRAWING REVISION A		REVISION BY P.ROJAS	DATE 06-03-2014	TOLERANCES UNLESS OTHERWISE SPECIFIED		DRAWN BY: P.ROJAS		Regal Beloit America, Inc.
ECO ECO-0044559		APPROVED BY D.BALDERRAMA	DATE 06-03-2014	DEC.	INCH	mm	ANGLE	
ECO DESCRIPTION SEE ECO				.X	±0.1	[±2.5]	±0.5°	APPROVED BY: D.BALDERRAMA
COPYRIGHT REGAL BELOIT AMERICA, INC. ALL RIGHTS RESERVED. PROPRIETARY AND CONFIDENTIAL INFORMATION - THIS DOCUMENT IS THE PROPERTY OF REGAL BELOIT AMERICA, INC. (OWNER) AND CONTAINS OWNER'S PROPRIETARY INFORMATION. ANY PERSON, CORPORATION OR OTHER FIRM RECEIVING IT IS DEEMED, BY RECEIVING IT, TO AGREE THAT IT, AND/OR ANY PART OF IT, SHALL NOT BE DISCLOSED TO ANY PERSON, CORPORATION OR OTHER ENTITY, DUPLICATED, AND/OR USED, EXCEPT AS EXPRESSLY APPROVED IN WRITING IN ADVANCE BY OWNER. THIS DOCUMENT SHALL BE RETURNED TO OWNER UPON REQUEST. IT MAY BE SUBJECT TO CERTAIN RESTRICTIONS UNDER APPLICABLE EXPORT CONTROL LAWS AND REGULATIONS.				REMOVE BURRS & BREAK SHARP EDGES .003/.015 [0.076/.381]		DATE: 06-03-2014		DESCRIPTION CONNECTION DIAGRAM--(EXTERNAL)
				MACHINED SURFACES		THIRD ANGLE PROJECTION		MATERIAL
				.125 INCH / 3.2 mm		SIZE DWG NO		PROCESS/FINISH
				mm SHOWN IN [BRACKETS]		C		D0000522-001
						SHEET		1

4

3

2

1