

TYPE	FRAME
CX	J56Z

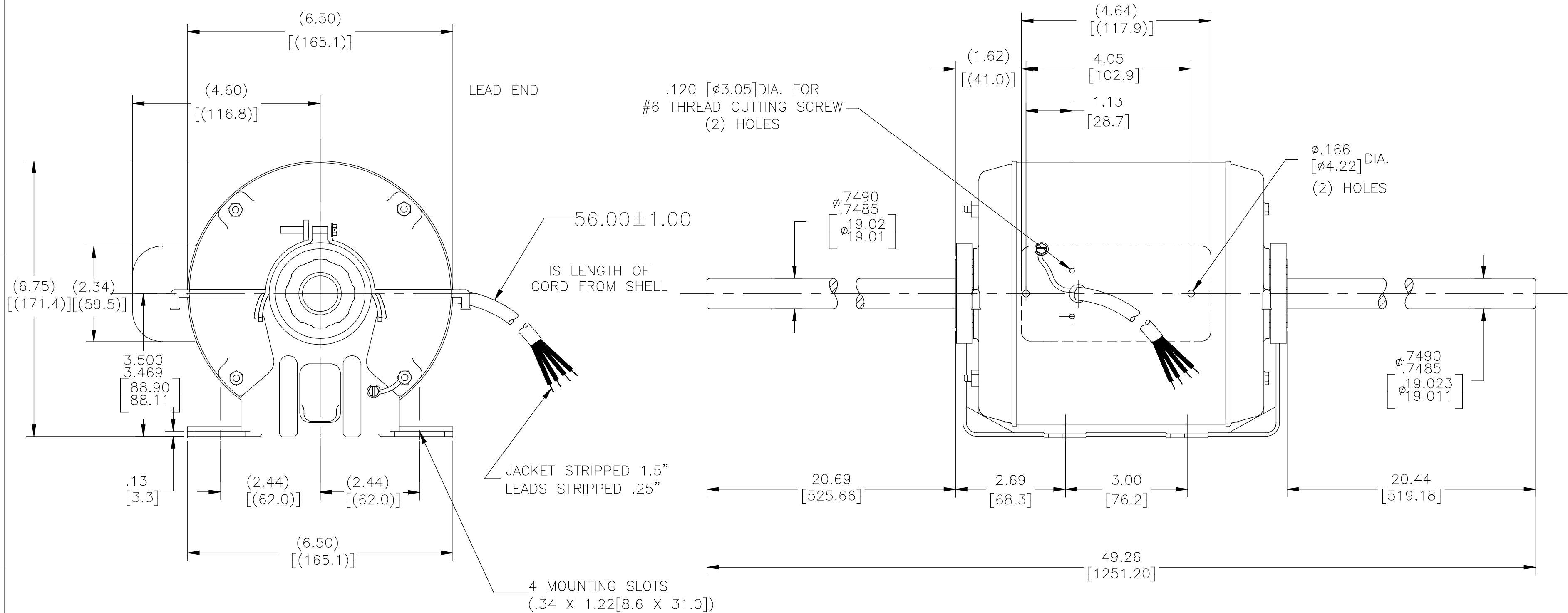
NOTES:

RUN OUT MUST NOT EXCEED .005 [.13] T.I.R.
WHEN MEASURED 1.0 [25] INCH FROM END OF SHAFT.

SHAFT AND BASE TO BE PARALLEL +/- .0625 [1.588]
WHEN MEASURED 1.0 [25] INCH FROM END OF SHAFT.

ALL DIMENSIONS SHOWN IN PARENTHSEIS
ARE REFERENCE DIMENSIONS. ALL
OTHER DIMENSIONS ARE TOLERANCED PER
THE FOLLOWING CHART UNLESS
OTHERWISE SPECIFIED.

"C" DIM. = +/- .055
SHAFT EXT. = +/- .034
LEAD LENGTHS = +/- 1.00
EXTENDED
THRU-BOLTS = +/- .050
ANGULAR DIMS. = +/- 2 DEGS.



DRAWING REVISION D	REVISION BY KHADHAR	DATE 03/28/2019	TOLERANCES UNLESS OTHERWISE SPECIFIED	DRAWN BY: BARPEA	REGAL ™ Regal Beloit America, Inc.
ECO ECO-0164493	APPROVED BY SN	DATE 03/28/2019	DEC. INCH mm ANGLE .X ±0.1 [±2.5] ±0.5° .XX ±0.02 [±0.51] .XXX ±0.005 [±0.127] .XXXX ±0.0005 [±0.0127]	DATE: 08-11-2000	
ECO DESCRIPTION SEE ECO			REMOVE BURRS & BREAK SHARP EDGES .003/.015 [0.076/.381] X 45° CORNER FILLETS R.02 [5.1] MACHINED SURFACES 125/3.2 mm SHOWN IN [BRACKETS]	APPROVED BY:	DESCRIPTION 0056 SWG 0-LINE SB ENCL
COPYRIGHT REGAL BELOIT AMERICA, INC. ALL RIGHTS RESERVED. PROPRIETARY AND CONFIDENTIAL INFORMATION - THIS DOCUMENT IS THE PROPERTY OF REGAL BELOIT AMERICA, INC. (OWNER) AND CONTAINS OWNER'S PROPRIETARY INFORMATION. ANY PERSON, CORPORATION OR OTHER FIRM RECEIVING IT IS DEEMED, BY RECEIVING IT, TO AGREE THAT IT, AND/OR ANY PART OF IT, SHALL NOT BE DISCLOSED TO ANY PERSON, CORPORATION OR OTHER ENTITY, DUPLICATED, AND/OR USED, EXCEPT AS EXPRESSLY APPROVED IN WRITING IN ADVANCE BY OWNER. THIS DOCUMENT SHALL BE RETURNED TO OWNER UPON REQUEST. IT MAY BE SUBJECT TO CERTAIN RESTRICTIONS UNDER APPLICABLE EXPORT CONTROL LAWS AND REGULATIONS.			REFERENCE	MATERIAL	PROCESS/FINISH
			THIRD ANGLE PROJECTION	SIZE DWG NO C C035	SHEET 1