

GENERAL INFORMATION:

SHAFT RUNOUT: .001[.03] T.I.R. PER INCH LENGTH OF EXTENSION

END PLAY: .010 TO .063 [.25 TO 1.60]

BEARINGS: SLEEVE

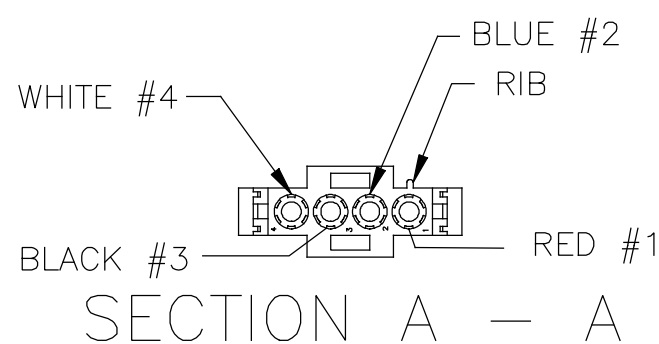
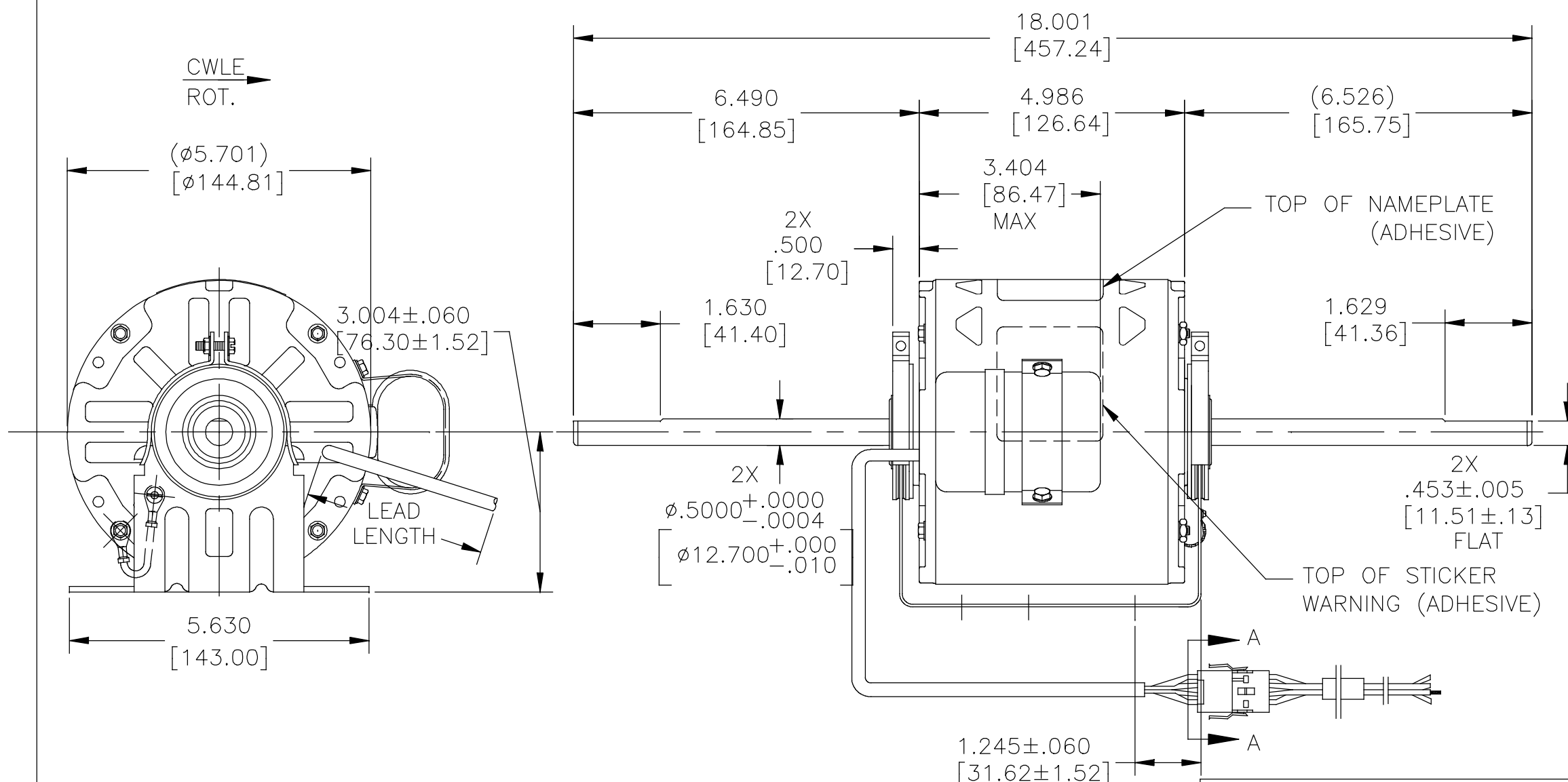
MOUNTING POSITION: HORIZONTAL

ELECTRICAL DATA:

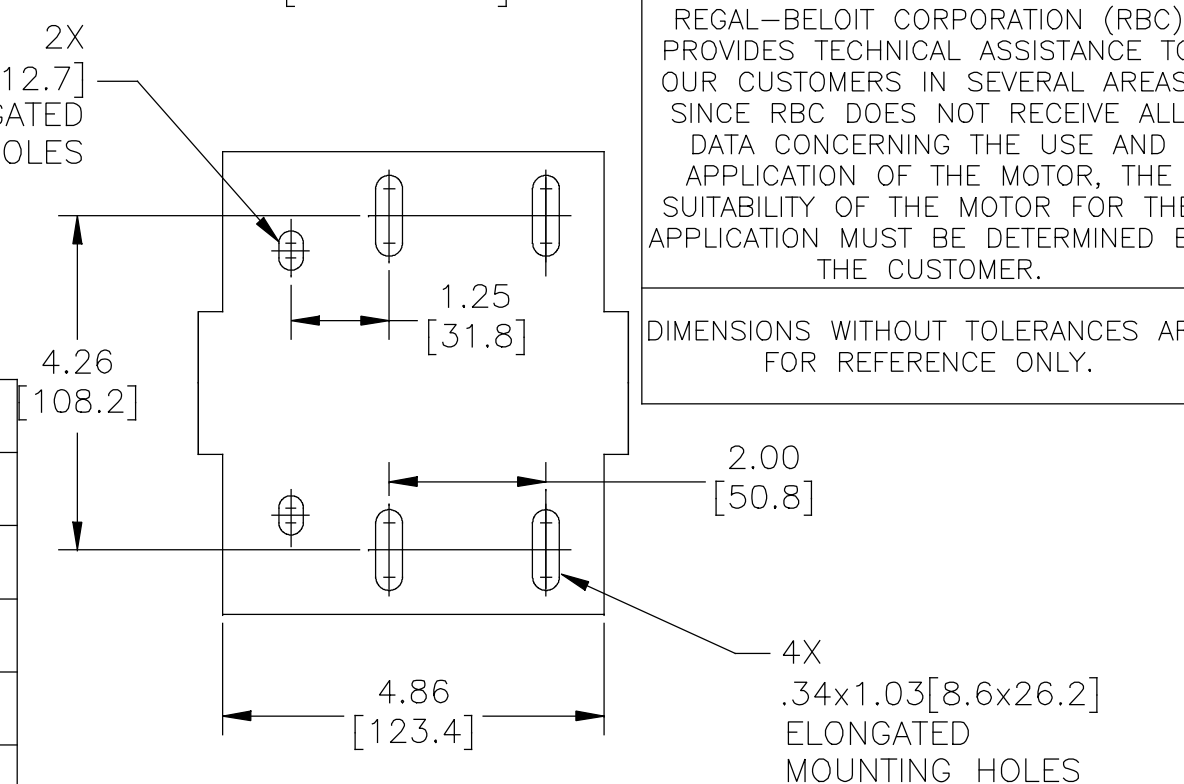
OVERLOAD PROTECTOR: AUTOMATIC RESET (T.I. 7AM 036)

LEADS: NO. 18 GA., .06 [1.5] THK., PVC 105°C INSUL.

GROUND LEAD: NO. 18 GA., .03 [.8] THK. GREEN/YELLOW INSUL.



GN/YE(GRD)	CONNECTED TO BASE	#10 RING
BROWN/WHITE	7.0/5.0 [178/127]	.25[6.4] FLAG CONNECTED TO CAPACITOR
BROWN	7.0/5.0 [178/127]	.25[6.4] FLAG CONNECTED TO CAPACITOR
RED	13.0/11.0 MIN. [330/279] MAX.	AMP#350537-1
BLUE	13.0/11.0 MIN. [330/279] MAX.	AMP#350537-1
WHITE	13.0/11.0 MIN. [330/279] MAX.	AMP#350537-1
BLACK	13.0/11.0 MIN. [330/279] MAX.	AMP#350537-1
COLOR	LENGTH	TERMINAL OR STRIP LENGTH



REGAL-BELOIT CORPORATION (RBC) PROVIDES TECHNICAL ASSISTANCE TO OUR CUSTOMERS IN SEVERAL AREAS. SINCE RBC DOES NOT RECEIVE ALL DATA CONCERNING THE USE AND APPLICATION OF THE MOTOR, THE SUITABILITY OF THE MOTOR FOR THE APPLICATION MUST BE DETERMINED BY THE CUSTOMER.

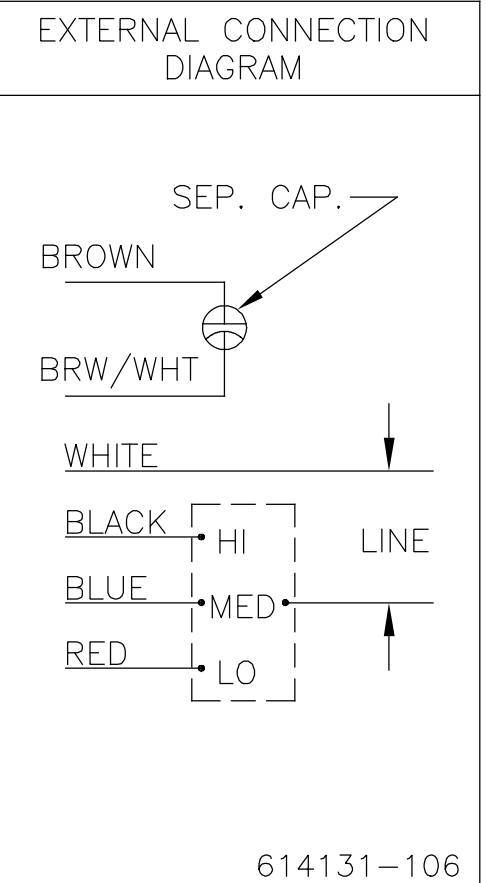
DIMENSIONS WITHOUT TOLERANCES ARE FOR REFERENCE ONLY.

MAIN FRAME - OLE	SEMI-ENCL
END FRAME - OLE	OPEN
MAIN FRAME - LE	SEMI-ENCL
END FRAME - LE	OPEN

CUSTOMER	DISTRIBUTION
----------	--------------

NAMEPLATE DATA:

MODEL NO.: F48AB05A01
 CUST. P/N: C032A
 HP: 1/8
 ROT.: CWLE
 RPM: 850
 TYPE: UF
 FRAME: 48Y
 VOLTS: 115
 PH: 1
 AMPS: 1.5
 HZ: 60
 INS.: B
 AMB.: 40° C
 DUTY: AIR OVER
 CAP.: 4 MFD/370 V
 ENCL: SEMI-ENCL
 UL LOGO
 CSA LOGO
 THERMALLY PROTECTED



614131-106

PERFORMANCE CURVE NO.	TORQUE @ 850 RPM (25°C)	APPROVED SAMPLE	UL COMPONENT FILE #	CCN #	CSA FILE #	CLASS #
C32853	5.9 OZ.FT	0604270A	E46412	PRGY2	LR43341	4211-01

DRAWING REVISION	REVISION BY	DATE	TOLERANCES UNLESS OTHERWISE SPECIFIED
F	JERRY CHAI	12-03-2018	DEC. INCH mm ANGLE
ECO	JERRY CHAI	12-03-2018	.XX ±0.1 [±2.5] ±0.5°
ECO-0156867	JERRY CHAI	12-03-2018	.XXX ±0.02 [±0.51]
SEE ECO			.XXX ±0.005 [±0.127]
			.XXXX ±0.0005 [±0.0127]
			REMOVE BURRS & BREAK SHARP EDGES .003/.015 [0.076/.381]
			CORNER FILLETS .02 [51]
			MACHINED SURFACES 125/3.2 INCH/mm 3/2
			mm SHOWN IN [BRACKETS]

DRAWN BY:	DATE:	APPROVED BY:	DATE:
HANNA.ZOU	10-16-2018	DENNY.ZHANG	10-16-2018

REGAL Regal Beloit America, Inc.	
DESCRIPTION	MODEL-RFHP-48FR OUTLINE
MATERIAL	PROCESS/FINISH
SIZE DWG NO	F48AB05A01
SHEET	1

COPYRIGHT REGAL-BELOIT CORPORATION, INC. ALL RIGHTS RESERVED. PROPRIETARY AND CONFIDENTIAL INFORMATION - THIS DOCUMENT IS THE PROPERTY OF REGAL-BELOIT CORPORATION, INC. (OWNER) AND CONTAINS OWNER'S PROPRIETARY INFORMATION. ANY PERSON, CORPORATION OR OTHER FIRM RECEIVING IT IS DEEMED, BY RECEIVING IT, TO AGREE THAT IT, AND/OR ANY PART OF IT, SHALL NOT BE DISCLOSED TO ANY PERSON, CORPORATION OR OTHER ENTITY, DUPLICATED, AND/OR USED, EXCEPT AS EXPRESSLY APPROVED IN WRITING IN ADVANCE BY OWNER. THIS DOCUMENT SHALL BE RETURNED TO OWNER UPON REQUEST. IT MAY BE SUBJECT TO CERTAIN RESTRICTIONS UNDER APPLICABLE EXPORT CONTROL LAWS AND REGULATIONS.