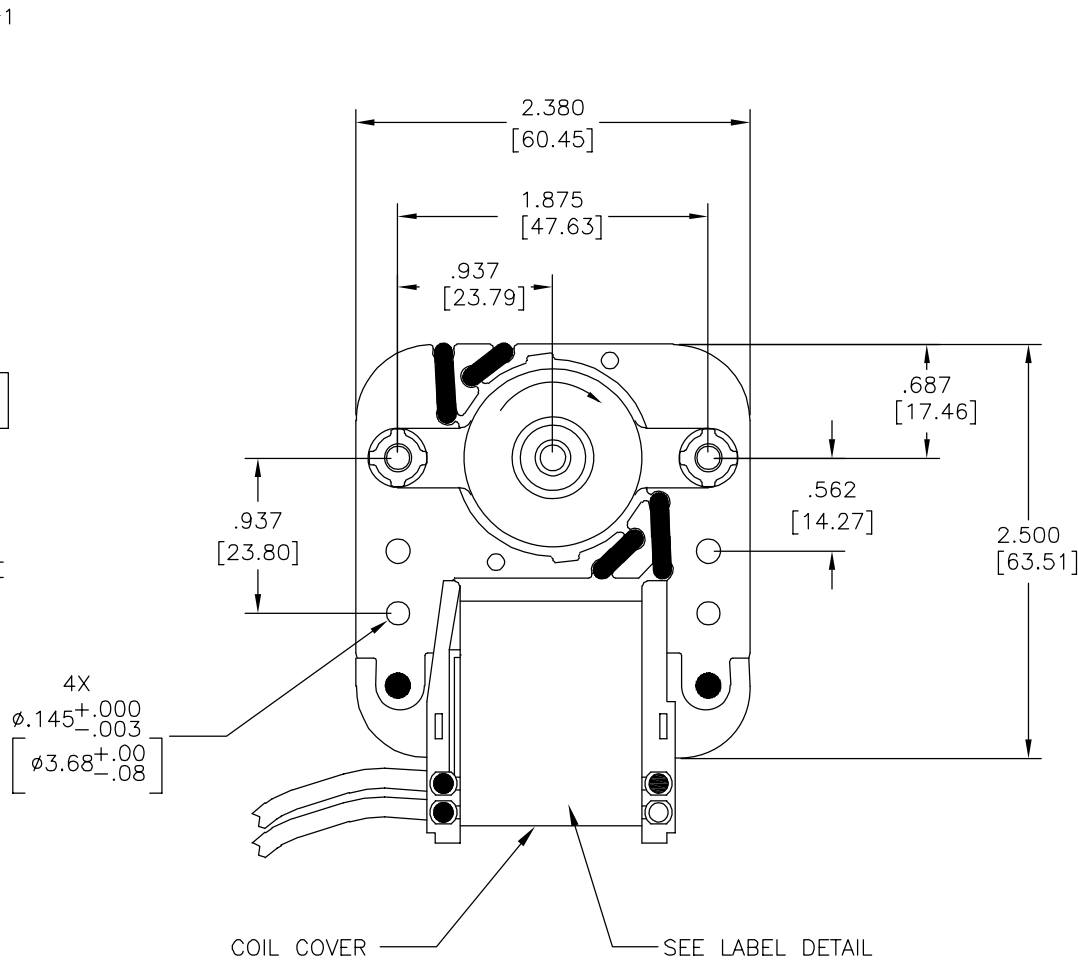
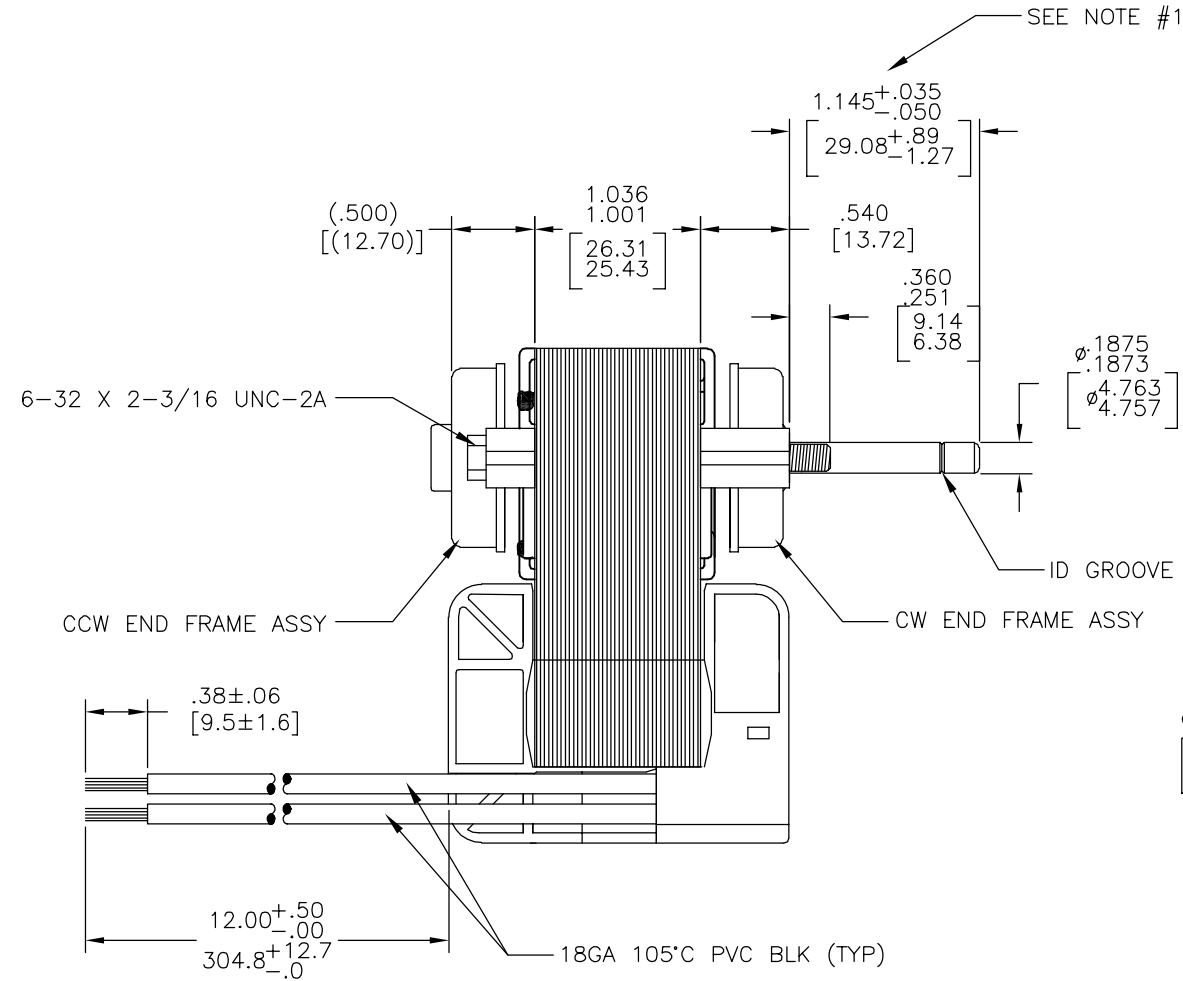


REV	ECO	REV BY	DATE	APPD	DATE
F	ECO-0036593	N.HONG	08-12-2013	B.SHEN	08-12-2013



- NOTES:
- MEASURED WITH ENDPLAY REMOVED
 - SEE 570106 FOR PLACEMENT OF LABEL 2516815-016

SCHEMATIC DIAGRAM	LABEL DETAIL
	<p>Century</p> <p>MDL 100-1-2J 240V 60HZ .30A TPL CL"B" MDL 100PC TP 17068 C01683</p> <p> </p> <p>MADE IN MEXICO UL507 COIL COVER</p>

ROTATION	CWSE
ENDPLAY	.060[1.52] MAX

GEOMETRIC CHARACTERISTICS & SYMBOLS

- FLATNESS
- STRAIGHTNESS
- ∠ ANGULARITY
- ⊥ PERPENDICULARITY (SQUARENESS)
- // PARALLELISM
- ROUNDNESS (CIRCULARITY)
- ⊘ CYLINDRICITY
- △ PROFILE OF ANY SURFACE
- ∩ PROFILE OF ANY LINE
- ↗ RUNOUT
- ⊕ TRUE POSITION
- ◎ CONCENTRICITY
- ≡ SYMMETRY

ASME Y14.5M 1994

UNLESS OTHERWISE SPECIFIED DIM. TOLERANCES ARE AS FOLLOWS:

INCH X XX XXX XXXX
 ±.1 ±.02 ±.005 ±.0005
 mm ±0.5 ±0.13 ±0.013

ANG. ±.50 DEG

REMOVE BURRS & BREAK SHARP EDGES:
 INCH .003-.015 mm 0.1-0.4

CORNER FILLETS TO:
 INCH .020 mm 0.5

MACHINE SURFACES:
 INCH 125 mm 3.2

METRIC DIMS. SHOWN IN [BRACKETS]

DR BY: JB 01-16-1998

APPD:

THIRD ANGLE PROJECTION

EDS DATE 11-11-2011
 FORMAT REV H

CONFIDENTIAL: THIS DRAWING AND ITS INFORMATION ARE THE EXCLUSIVE AND CONFIDENTIAL PROPERTY OF REGAL-BELOIT CORPORATION AND ARE NOT TO BE DISCLOSED, DUPLICATED, DISTRIBUTED OR OTHERWISE USED WITHOUT THE WRITTEN CONSENT OF REGAL-BELOIT CORPORATION. -ALL RIGHTS RESERVED.

REGAL REGAL-BELOIT CORPORATION	
DESCRIPTION	
MODEL-SFHP-C-FR OUTLINE	
SIZE C	DWG NO C01683
SCALE NONE	SHEET 1