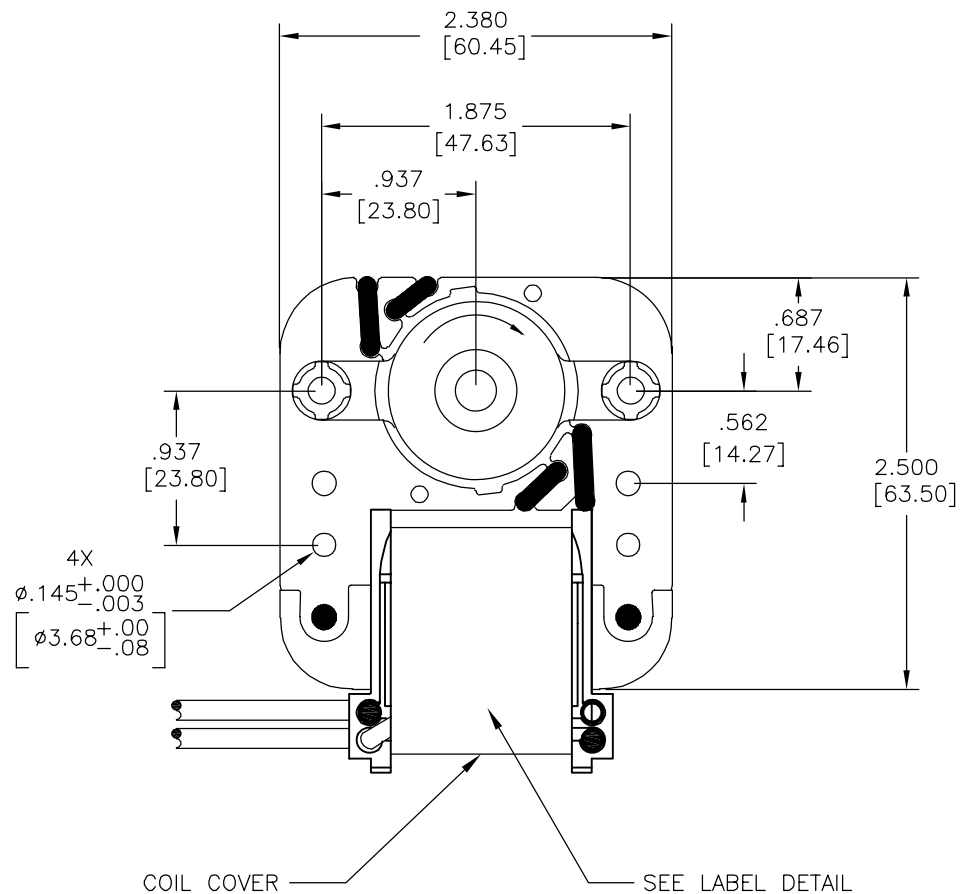
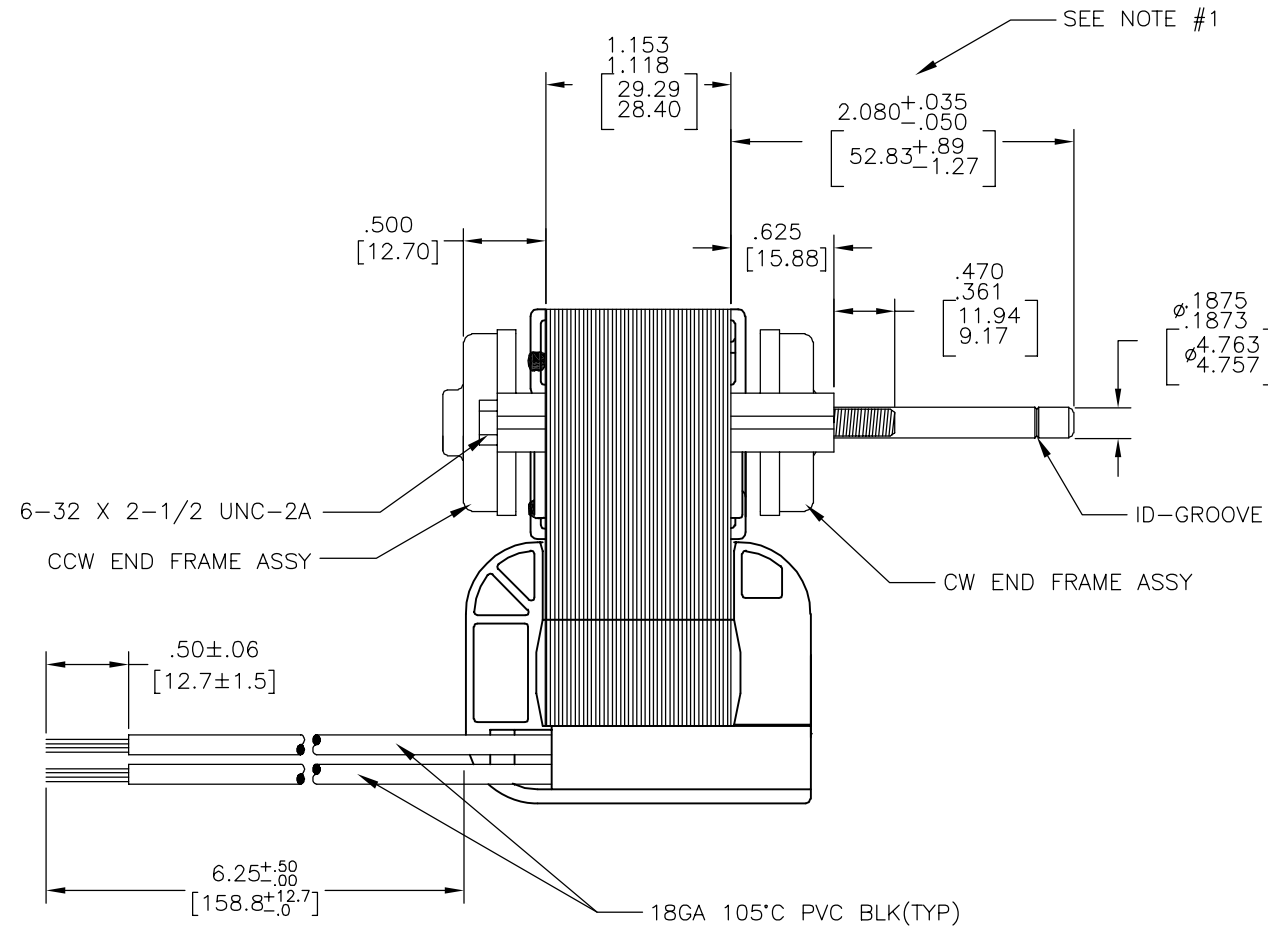


REV	ECO	REV BY	DATE	APPD	DATE
F	ECO-0036071	N.HONG	07-30-2013	B.SHEN	07-30-2013



NOTES:
 1. MEASURED WITH ENDPLAY REMOVED
 2. SEE 570106 FOR PLACEMENT OF LABEL 2516815-015

ROTATION	CWSE
ENDPLAY	.060 [1.52] MAX

<p>SCHEMATIC DIAGRAM</p>	<p>LABEL DETAIL</p> <p>MDL 112 120V 60HZ .70A TPL CL "B" 010085 MDL 112PC TP C01680 MADE IN MEXICO UL507 COIL COVER</p>
--------------------------	--

GEOMETRIC CHARACTERISTICS & SYMBOLS

- FLATNESS
- STRAIGHTNESS
- ∠ ANGULARITY
- ⊥ PERPENDICULARITY (SQUARENESS)
- ∥ PARALLELISM
- ROUNDNESS (CIRCULARITY)
- ⊘ CYLINDRICITY
- △ PROFILE OF ANY SURFACE
- ∩ PROFILE OF ANY LINE
- ↗ RUNOUT
- ⊕ TRUE POSITION
- ◎ CONCENTRICITY
- ≡ SYMMETRY

ASME Y14.5M 1994

UNLESS OTHERWISE SPECIFIED DIM. TOLERANCES ARE AS FOLLOWS:

INCH X XX XXX XXXX
 ±.1 ±.02 ±.005 ±.0005
 mm ±0.5 ±0.13 ±0.013

ANG. ±.50 DEG
 REMOVE BURRS & BREAK SHARP EDGES:
 INCH .003-.015 mm 0.1-0.4

CORNER FILLETS TO:
 INCH .020 mm 0.5

MACHINE SURFACES:
 INCH 125 mm 3.2

METRIC DIMS. SHOWN IN [BRACKETS]

DR BY: JB 08-15-1997

APPD:

THIRD ANGLE PROJECTION

EDS DATE 11-11-2011
 FORMAT REV H

CONFIDENTIAL: THIS DRAWING AND ITS INFORMATION ARE THE EXCLUSIVE AND CONFIDENTIAL PROPERTY OF REGAL-BELOIT CORPORATION AND ARE NOT TO BE DISCLOSED, DUPLICATED, DISTRIBUTED OR OTHERWISE USED WITHOUT THE WRITTEN CONSENT OF REGAL-BELOIT CORPORATION. -ALL RIGHTS RESERVED.

<p>REGAL REGAL-BELOIT CORPORATION</p>	
<p>DESCRIPTION</p> <p>MODEL-SFHP-C-FR OUTLINE</p>	
<p>SIZE C</p>	<p>DWG NO C01680</p>
<p>SCALE NONE</p>	<p>SHEET 1</p>