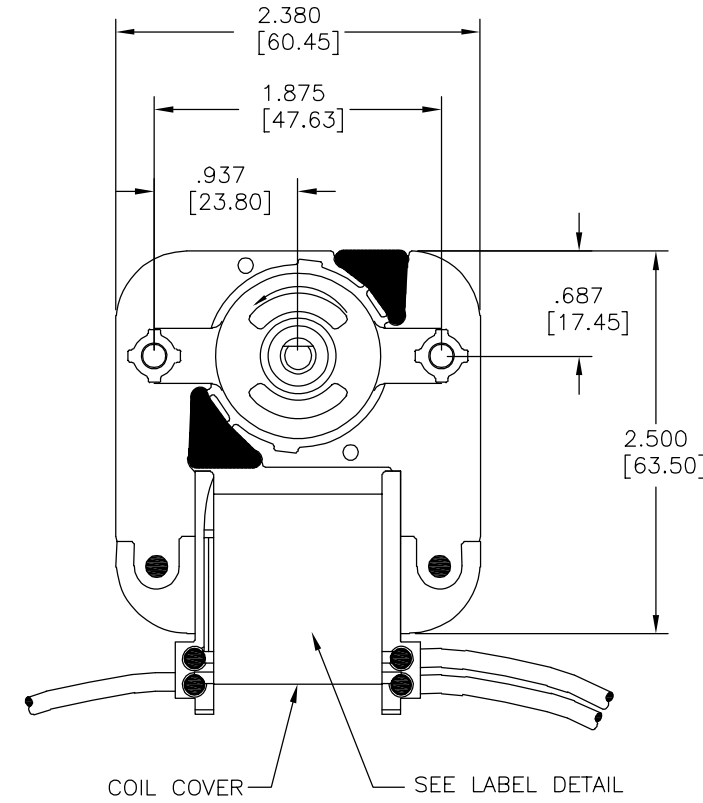
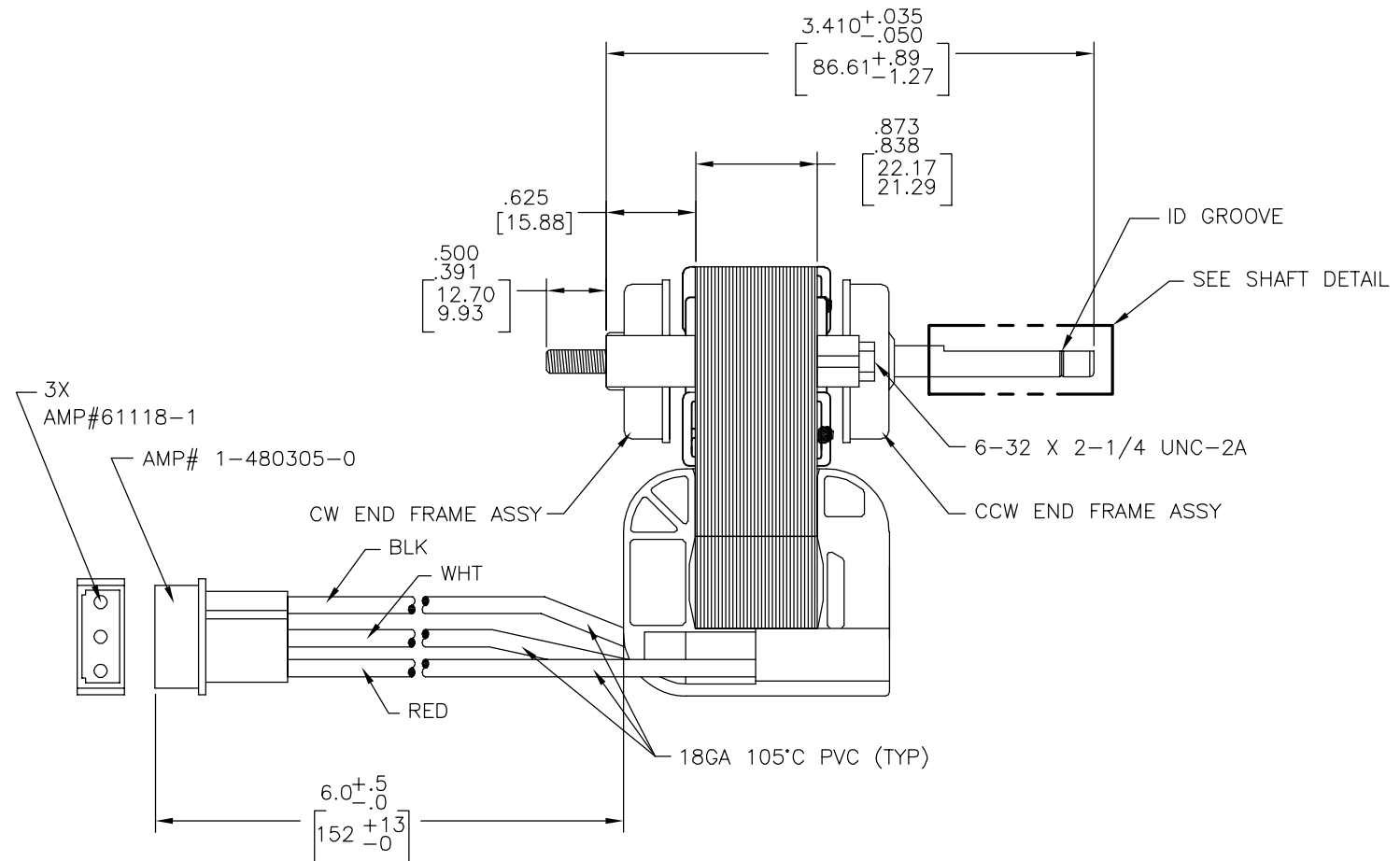


| | | | | | |
|-----|-------------|--------|------------|--------|------------|
| REV | ECO | REV BY | DATE | APPD | DATE |
| G | ECO-0036068 | J.SHEN | 07-30-2013 | A.CHEN | 07-30-2013 |



NOTES:

1. MEASURED WITH ENDPLAY REMOVED.
2. SEE 570106 FOR PLACEMENT OF LABEL 2516816-003.

| | |
|--------------------------|---|
| <p>SCHEMATIC DIAGRAM</p> | <p>LABEL DETAIL</p> <p>MDL 2S-85N2 120V 60HZ 1.47A TPL CL"B" MDL 85PC TP 16921 C01554 MADE IN MEXICO UL507 COIL COVER</p> |
|--------------------------|---|

| | |
|----------|----------------|
| ROTATION | CCWSE |
| END PLAY | .060[1.52] MAX |

| | | |
|--------|----|------------|
| DR BY: | JB | 08-18-1997 |
| APPD: | | |

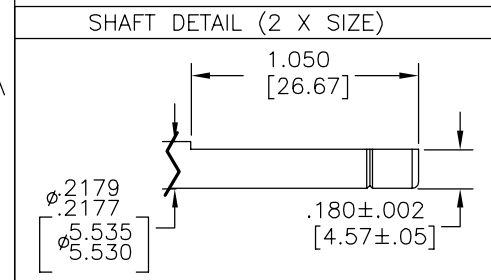
THIRD ANGLE PROJECTION

EDS DATE 11-11-2011
FORMAT REV H

CONFIDENTIAL: THIS DRAWING AND ITS INFORMATION ARE THE EXCLUSIVE AND CONFIDENTIAL PROPERTY OF REGAL-BELOIT CORPORATION AND ARE NOT TO BE DISCLOSED, DUPLICATED, DISTRIBUTED OR OTHERWISE USED WITHOUT THE WRITTEN CONSENT OF REGAL-BELOIT CORPORATION. -ALL RIGHTS RESERVED.

REGAL REGAL-BELOIT CORPORATION

| | |
|----------------------------|--------|
| DESCRIPTION | |
| MODEL-SFHP-C-FR OUTLINE | |
| SIZE | DWG NO |
| C | C01554 |
| SCALE | SHEET |
| NONE | 1 |



GEOMETRIC CHARACTERISTICS & SYMBOLS

- ▮ FLATNESS
- STRAIGHTNESS
- ∠ ANGULARITY
- ⊥ PERPENDICULARITY (SQUARENESS)
- // PARALLELISM
- ROUNDNESS (CIRCULARITY)
- ∅ CYLINDRICITY
- △ PROFILE OF ANY SURFACE
- ▽ PROFILE OF ANY LINE
- ↗ RUNOUT
- ⊕ TRUE POSITION
- ◎ CONCENTRICITY
- ≡ SYMMETRY

ASME Y14.5M 1994

UNLESS OTHERWISE SPECIFIED DIM. TOLERANCES ARE AS FOLLOWS:

| | | | | |
|------|------|-------|--------|--------|
| INCH | X | XX | XXX | XXXX |
| | ±.1 | ±.02 | ±.005 | ±.0005 |
| mm | ±0.5 | ±0.13 | ±0.013 | |

ANG. ±.50 DEG
REMOVE BURRS & BREAK SHARP EDGES:
INCH .003-.015 mm 0.1-0.4
CORNER FILLETS TO:
INCH .020 mm 0.5
MACHINE SURFACES:
INCH 125 mm 3.2

METRIC DIMS. SHOWN IN [BRACKETS]