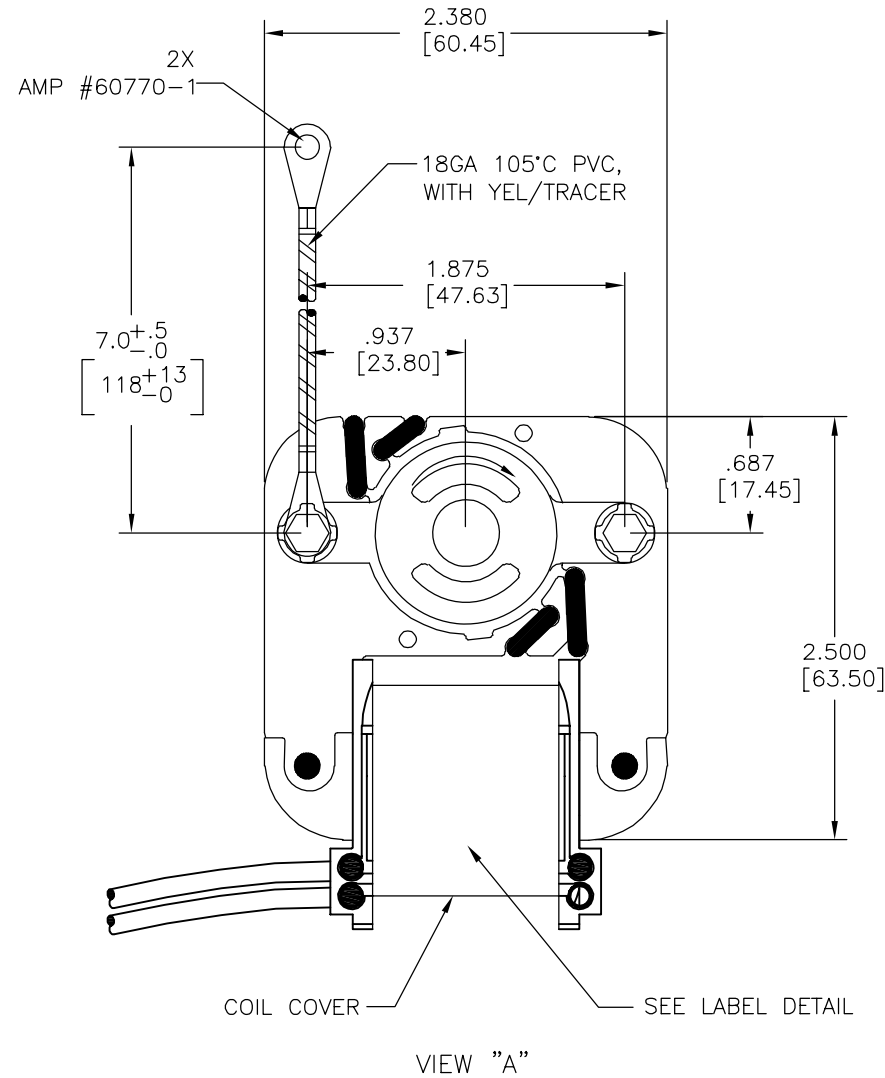
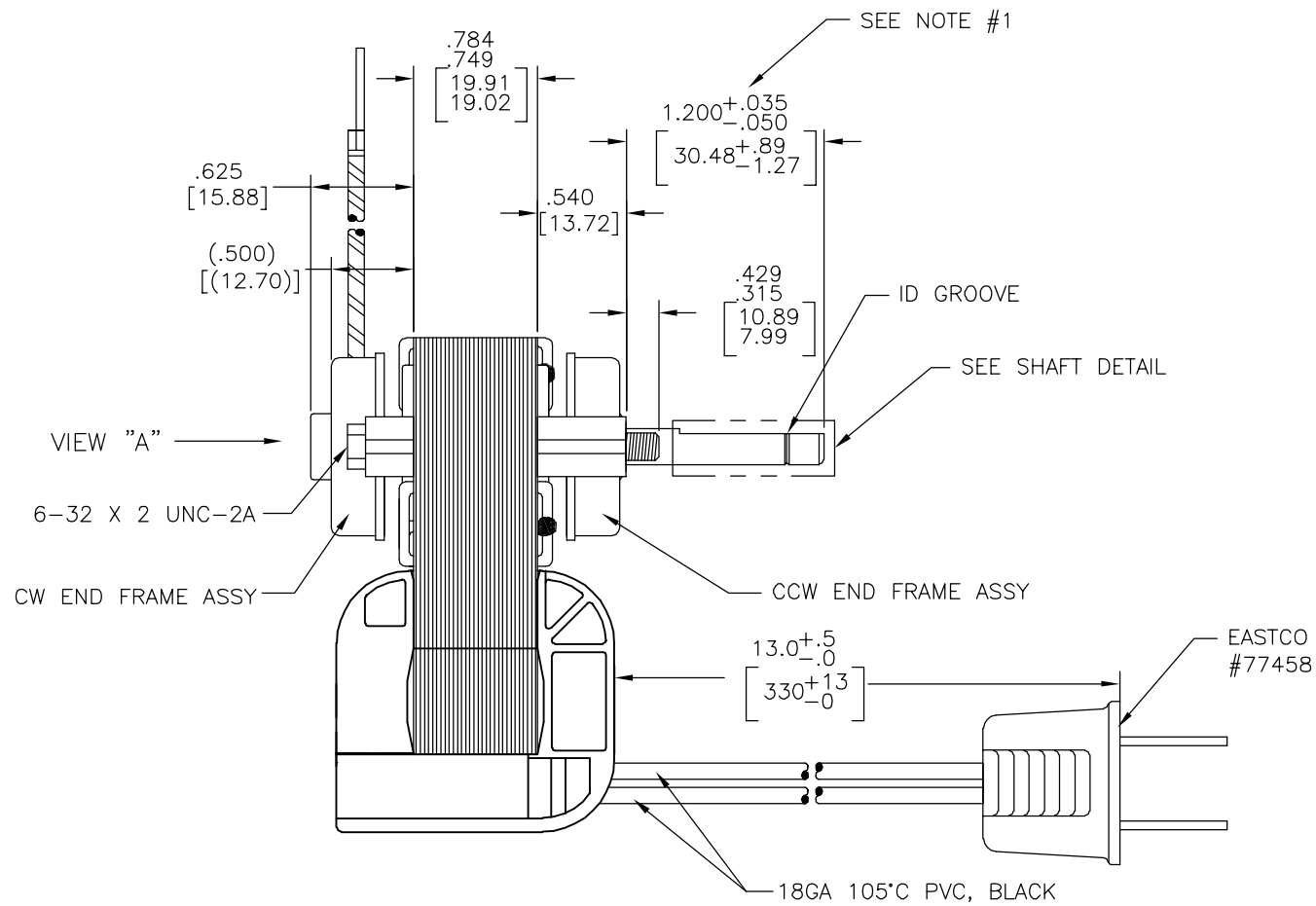
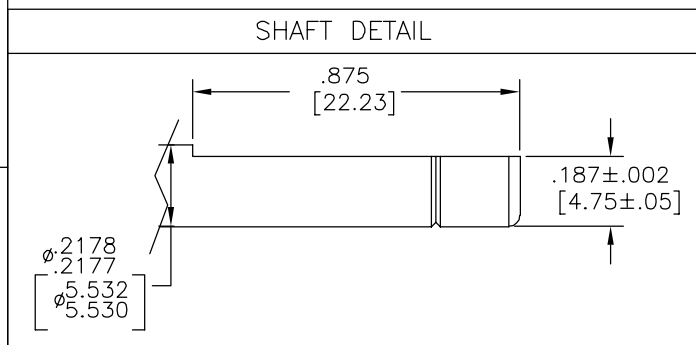


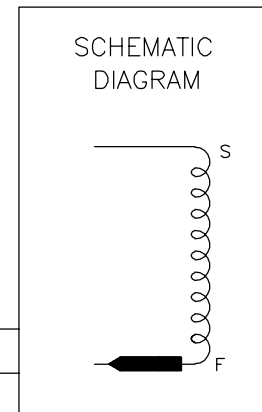
REV	ECO	REV BY	DATE	APPD	DATE
H	ECO-0037050	J.SHEN	09-03-2013	A.CHEN	09-03-2013



- NOTES:
- MEASURED WITH ENDPLAY REMOVED.
 - SEE 570106 FOR PLACEMENT OF LABEL 2516815-005.



ROTATION	CCWSE
END PLAY	.060[1.52] MAX



LABEL DETAIL

Century
 MDL 75N2
 120V 60HZ .96A
 TPL CL "B"
 MDL 75PC TP
 12817
 C01552

 MADE IN MEXICO
 UL507 COIL COVER

GEOMETRIC CHARACTERISTICS & SYMBOLS
 □ FLATNESS
 — STRAIGHTNESS
 ∠ ANGULARITY
 ⊥ PERPENDICULARITY (SQUARENESS)
 ∥ PARALLELISM
 ○ ROUNDNESS (CIRCULARITY)
 ∅ CYLINDRICITY
 △ PROFILE OF ANY SURFACE
 ∩ PROFILE OF ANY LINE
 ↗ RUNOUT
 ⊕ TRUE POSITION
 ⊙ CONCENTRICITY
 = SYMMETRY

UNLESS OTHERWISE SPECIFIED
 DIM. TOLERANCES ARE AS FOLLOWS:
 INCH X XX XXX XXXX
 mm ±0.5 ±0.13 ±0.013
 ANG. ±.50 DEG
 REMOVE BURRS & BREAK SHARP EDGES:
 INCH .003-.015 mm 0.1-0.4
 CORNER FILLETS TO:
 INCH .020 mm 0.5
 MACHINE SURFACES:
 INCH 125 mm 3.2

DR BY: JB 05-15-1997
 APPD:
 THIRD ANGLE PROJECTION
 EDS DATE 11-11-2011
 FORMAT REV H
 CONFIDENTIAL: THIS DRAWING AND ITS INFORMATION ARE THE EXCLUSIVE AND CONFIDENTIAL PROPERTY OF REGAL-BELOIT CORPORATION AND ARE NOT TO BE DISCLOSED, DUPLICATED, DISTRIBUTED OR OTHERWISE USED WITHOUT THE WRITTEN CONSENT OF REGAL-BELOIT CORPORATION. -ALL RIGHTS RESERVED.

REGAL REGAL-BELOIT CORPORATION

DESCRIPTION
 MODEL-SFHP-C-FR
 OUTLINE

SIZE C DWG NO C01552

SCALE NONE SHEET 1

4

3

2

1

4

3

2

1