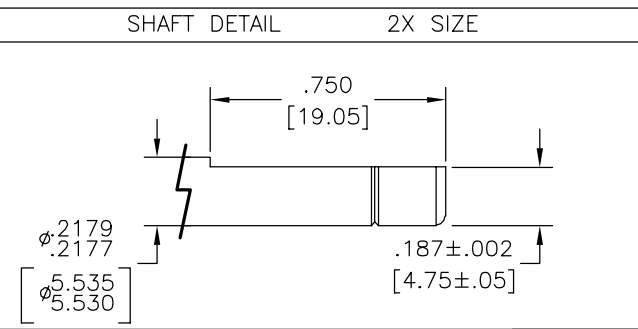
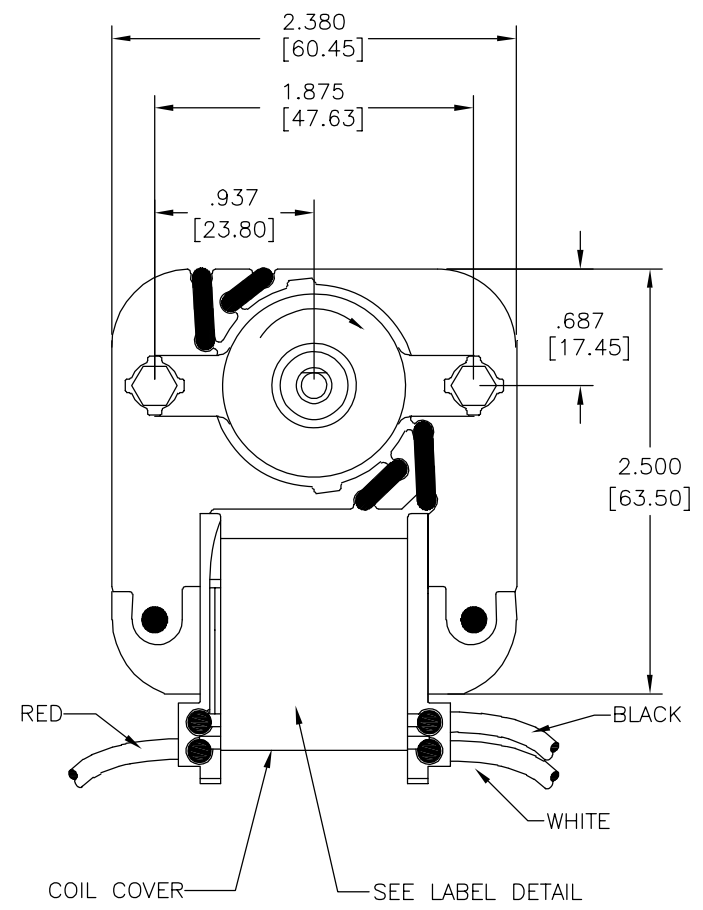
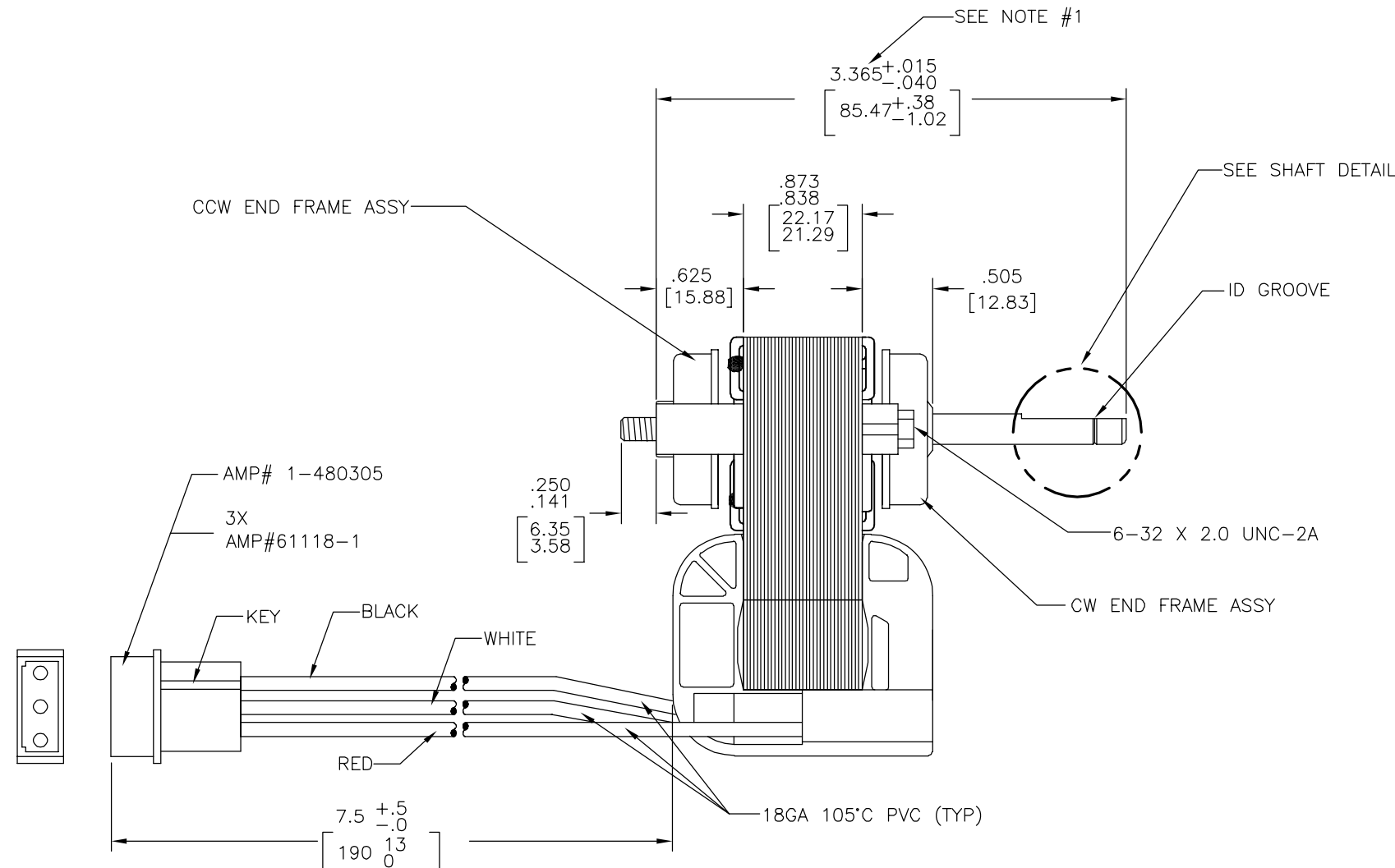
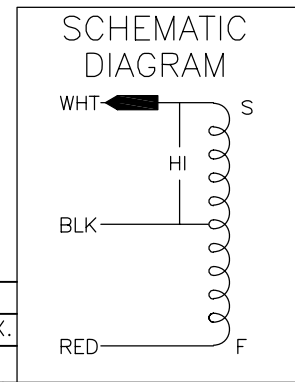


REV	ECO	REV BY	DATE	APPD	DATE
N	ECO-0036067	J.SHEN	07-29-2013	A.CHEN	07-29-2013



NOTES:  
 1. MEASURED WITH ENDPLAY REMOVED.  
 2. SEE 570106 FOR PLACEMENT OF LABEL 2516816-001.



**Century**  
 MDL 2S-85N2  
 120V 60HZ 1.15A  
 TPL CL"B"  
 MDL 85PC TP  
 3000 RPM  
 25°C AMB  
 15172  
 C01551  
 MADE IN MEXICO  
 UL507 COIL COVER

ROTATION	CWSE
END PLAY	.060[1.52]MAX.
CUST REV	

DR BY:	JB	05-22-1997
APPD:		
THIRD ANGLE PROJECTION		EDS DATE 11-11-2011 FORMAT REV H
CONFIDENTIAL: THIS DRAWING AND ITS INFORMATION ARE THE EXCLUSIVE AND CONFIDENTIAL PROPERTY OF REGAL-BELOIT CORPORATION AND ARE NOT TO BE DISCLOSED, DUPLICATED, DISTRIBUTED OR OTHERWISE USED WITHOUT THE WRITTEN CONSENT OF REGAL-BELOIT CORPORATION. -ALL RIGHTS RESERVED.		

<p>GEOMETRIC CHARACTERISTICS &amp; SYMBOLS</p> <ul style="list-style-type: none"> <li>▭ FLATNESS</li> <li>- STRAIGHTNESS</li> <li>∠ ANGULARITY</li> <li>⊥ PERPENDICULARITY (SQUARENESS)</li> <li>∥ PARALLELISM</li> <li>○ ROUNDNESS (CIRCULARITY)</li> <li>⊘ CYLINDRICITY</li> <li>△ PROFILE OF ANY SURFACE</li> <li>∩ PROFILE OF ANY LINE</li> <li>∩ RUNOUT</li> <li>⊕ TRUE POSITION</li> <li>◎ CONCENTRICITY</li> <li>≡ SYMMETRY</li> </ul> <p>ASME Y14.5M 1994</p>	<p>UNLESS OTHERWISE SPECIFIED DIM. TOLERANCES ARE AS FOLLOWS:</p> <p>INCH X XX XXX XXXX              ±.1 ±.02 ±.005 ±.0005              mm ±0.5 ±0.13 ±0.013</p> <p>ANG. ±.50 DEG              REMOVE BURRS &amp; BREAK SHARP EDGES:              INCH .003-.015 mm 0.1-0.4</p> <p>CORNER FILLETS TO:              INCH .020 mm 0.5</p> <p>MACHINE SURFACES:              INCH 125 mm 3.2</p> <p>METRIC DIMS. SHOWN IN [BRACKETS]</p>
---	---

REGAL	REGAL-BELOIT CORPORATION
DESCRIPTION	
MODEL-SFHP-C-FR OUTLINE	
SIZE	DWG NO
C	C01551
SCALE	SHEET
NONE	1