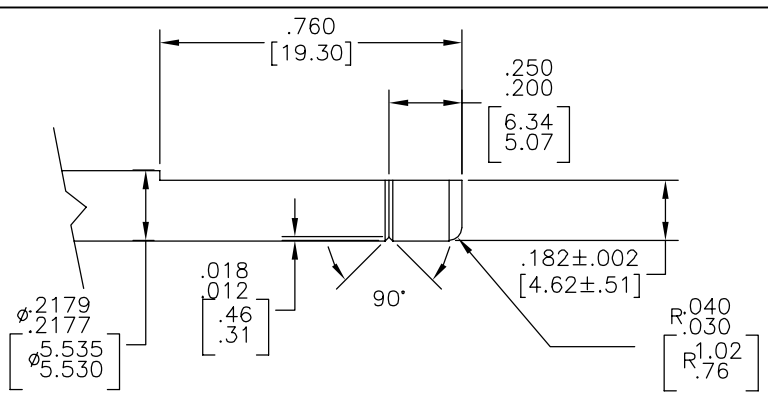
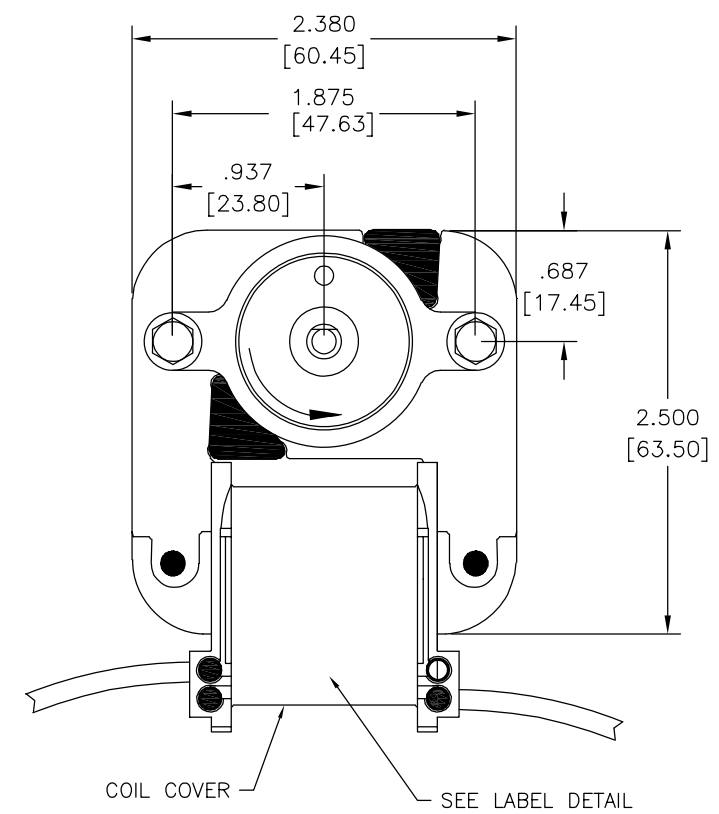
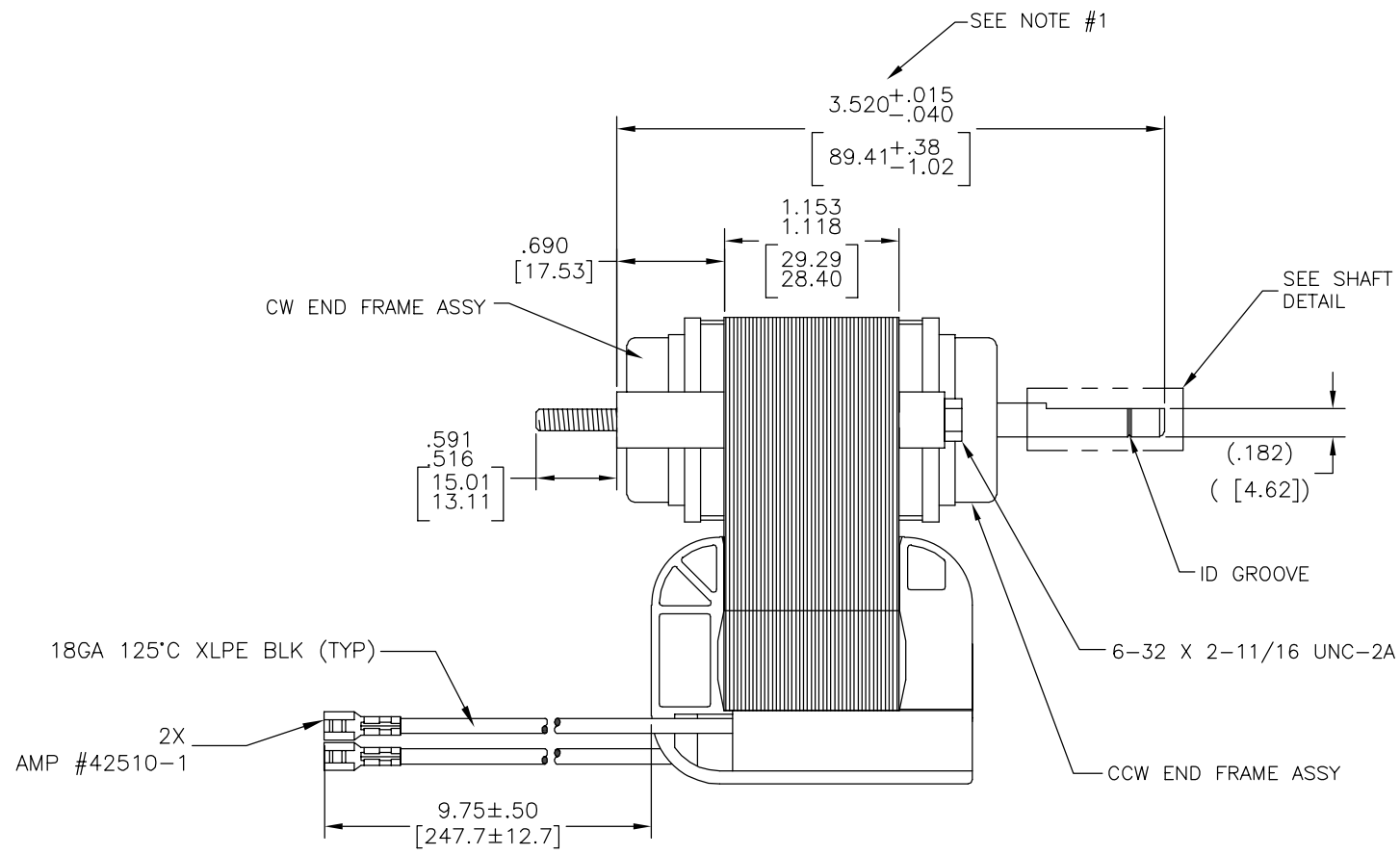


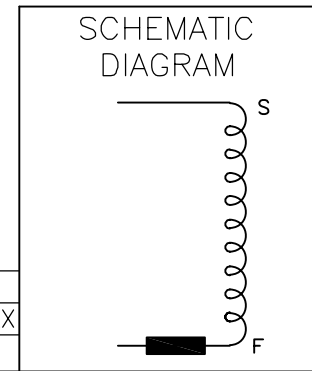
| | | | | | |
|-----|-------------|--------|------------|--------|------------|
| REV | ECO | REV BY | DATE | APPD | DATE |
| F | ECO-0036592 | Y.LI | 08-13-2013 | B.SHEN | 08-13-2013 |



SHAFT DETAIL (2X SCALE)

- NOTES:
 1. MEASURED WITH ENDPLAY REMOVED
 2. SEE 570106 FOR PLACEMENT OF LABEL 2516815-022

| | |
|----------|-----------------|
| ROTATION | CCWSE |
| END PLAY | .060 [1.52] MAX |
| CUST REV | - |



LABEL DETAIL

Century
 MDL 112-1
 240V 60HZ .67A
 TPL CL"B"
 010047
 MDL 113PC TP
 C01329

 MADE IN MEXICO
 UL507 COIL COVER

GEOMETRIC CHARACTERISTICS & SYMBOLS

- ▭ FLATNESS
- STRAIGHTNESS
- ∠ ANGULARITY
- ⊥ PERPENDICULARITY (SQUARENESS)
- // PARALLELISM
- ROUNDNESS (CIRCULARITY)
- ⊘ CYLINDRICITY
- △ PROFILE OF ANY SURFACE
- ∩ PROFILE OF ANY LINE
- ↯ RUNOUT
- ⊕ TRUE POSITION
- ◎ CONCENTRICITY
- ≡ SYMMETRY

ASME Y14.5M 1994

UNLESS OTHERWISE SPECIFIED DIM. TOLERANCES ARE AS FOLLOWS:

| | | | | |
|------|------|-------|--------|--------|
| INCH | ±.1 | ±.02 | ±.005 | ±.0005 |
| mm | ±0.5 | ±0.13 | ±0.013 | |

ANG. ±.50 DEG
 REMOVE BURRS & BREAK SHARP EDGES:
 INCH .003-.015 mm 0.1-0.4
 CORNER FILLETS TO:
 INCH .020 mm 0.5
 MACHINE SURFACES:
 INCH 125 mm 3.2

METRIC DIMS. SHOWN IN [BRACKETS]

DR BY: Cherry.Z 07-09-2010

APPD: KG 07-09-2010

EDS DATE 11-11-2011
 FORMAT REV H

THIRD ANGLE PROJECTION

CONFIDENTIAL: THIS DRAWING AND ITS INFORMATION ARE THE EXCLUSIVE AND CONFIDENTIAL PROPERTY OF REGAL-BELOIT CORPORATION AND ARE NOT TO BE DISCLOSED, DUPLICATED, DISTRIBUTED OR OTHERWISE USED WITHOUT THE WRITTEN CONSENT OF REGAL-BELOIT CORPORATION. -ALL RIGHTS RESERVED.

REGAL REGAL-BELOIT CORPORATION

DESCRIPTION: MODEL-SFHP-C-FR OUTLINE

SIZE: C DWG NO: C01329

SCALE: NONE SHEET: 1