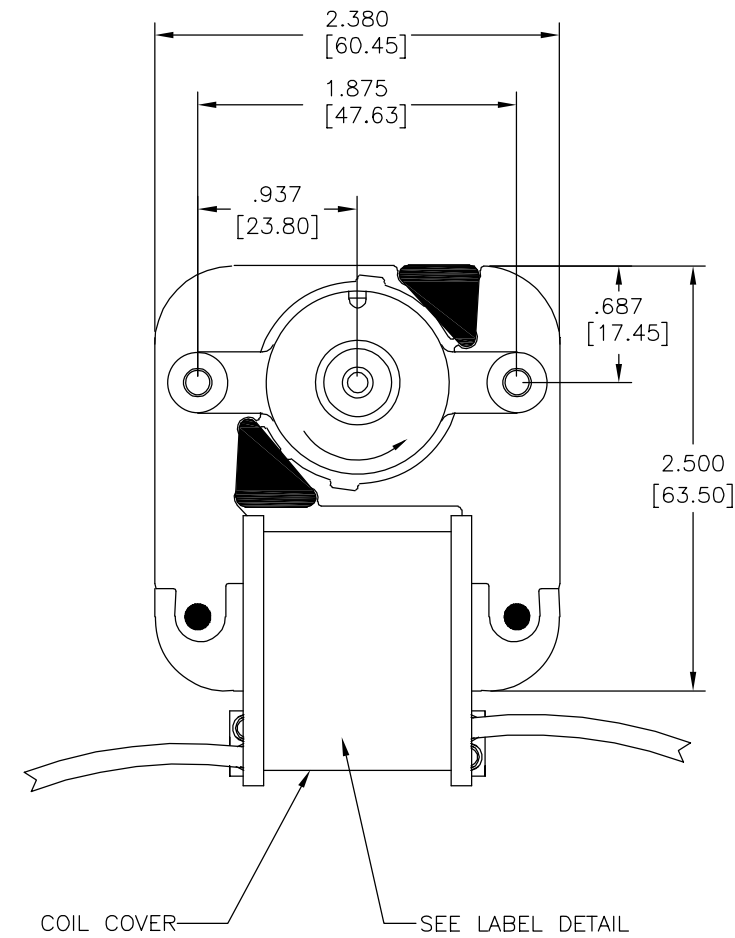
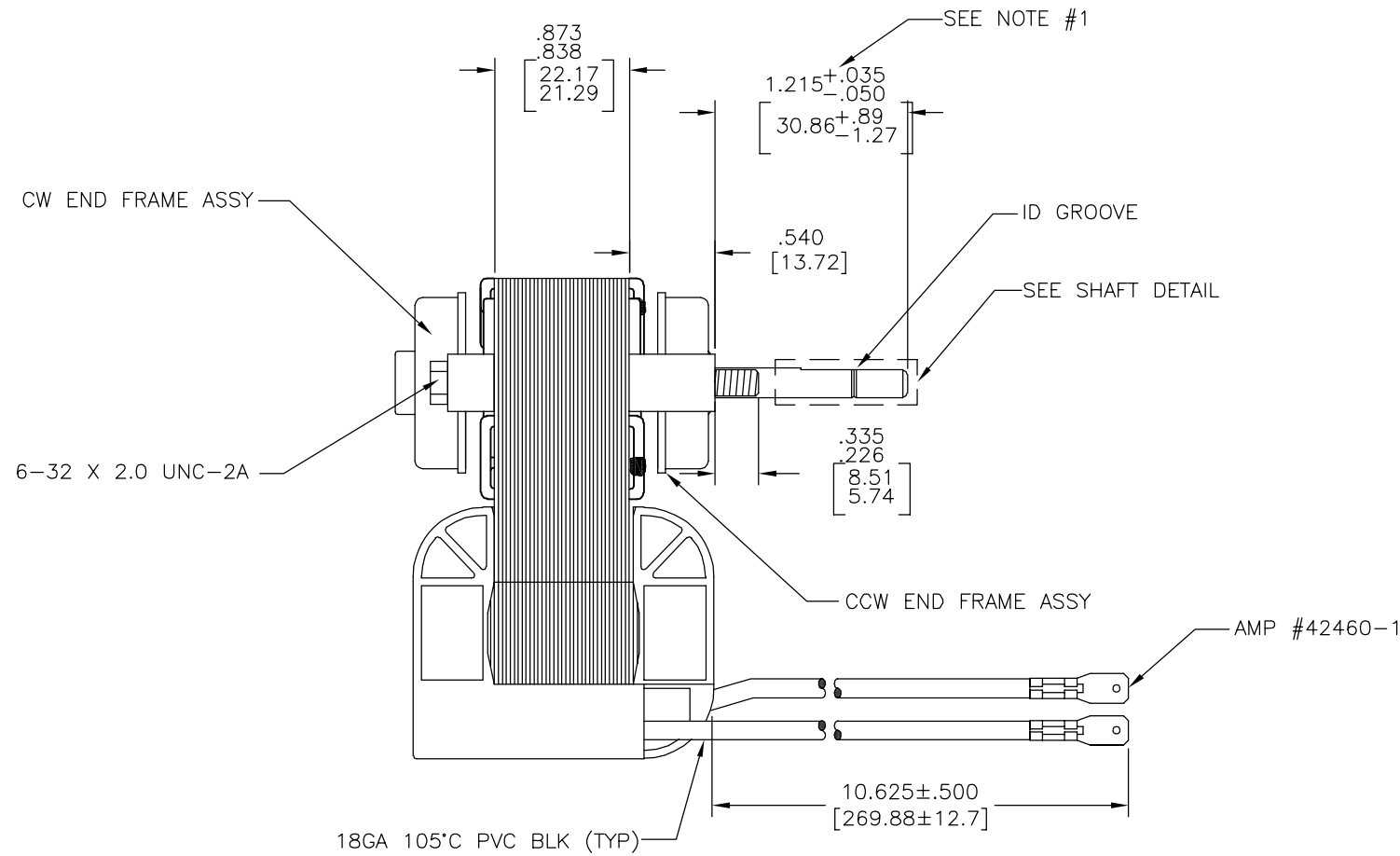
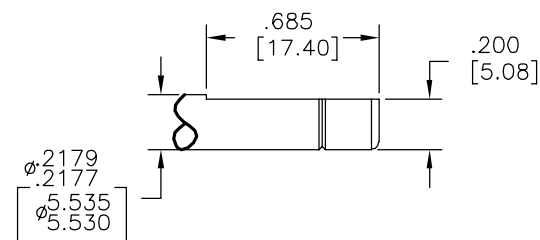


REV	ECO	REV BY	DATE	APPD	DATE
E	ECO-0036547	N.HONG	08-06-2013	B.SHEN	08-06-2013

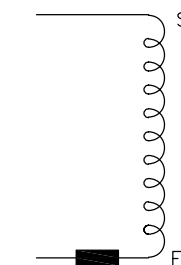


SHAFT DETAIL 2X SIZE



NOTES:
 1. MEASURED WITH ENDPLAY REMOVED.
 2. SEE 570106 FOR PLACEMENT OF LABEL 2516815-020

SCHEMATIC DIAGRAM



LABEL DETAIL

Century
 MDL 85T
 120V 60HZ 1.05A
 TPL CL "B"
 010045
 MDL 85PC TP
 C01326

 MADE IN MEXICO
 UL507 COIL COVER

ROTATION:	CCWSE
END PLAY:	.060 [1.52] MAX.
CUST REV:	-

GEOMETRIC CHARACTERISTICS & SYMBOLS
 ▽ FLATNESS
 - STRAIGHTNESS
 < ANGLARITY
 ⊥ PERPENDICULARITY (SQUARENESS)
 // PARALLELISM
 ○ ROUNDNESS (CIRCULARITY)
 ⌀ CYLINDRICITY
 △ PROFILE OF ANY SURFACE
 ∟ PROFILE OF ANY LINE
 ∟ RUNOUT
 ⊕ TRUE POSITION
 ⊙ CONCENTRICITY
 = SYMMETRY
 ASME Y14.5M 1994

UNLESS OTHERWISE SPECIFIED
 DIM. TOLERANCES ARE AS FOLLOWS:
 INCH X XX XXX XXXX
 ±.1 ±.02 ±.005 ±.0005
 mm ±0.5 ±0.13 ±0.013
 ANG. ±.50 DEG
 REMOVE BURRS & BREAK SHARP EDGES:
 INCH .003-.015 mm 0.1-0.4
 CORNER FILLETS TO:
 INCH .020 mm 0.5
 MACHINE SURFACES:
 INCH 125 mm 3.2
 METRIC DIMS. SHOWN IN [BRACKETS]

DR BY: JH 11-05-2002
 APPD:
 THIRD ANGLE PROJECTION
 EDS DATE 11-11-2011
 FORMAT REV H
 CONFIDENTIAL: THIS DRAWING AND ITS INFORMATION ARE THE EXCLUSIVE AND CONFIDENTIAL PROPERTY OF REGAL-BELOIT CORPORATION AND ARE NOT TO BE DISCLOSED, DUPLICATED, DISTRIBUTED OR OTHERWISE USED WITHOUT THE WRITTEN CONSENT OF REGAL-BELOIT CORPORATION. -ALL RIGHTS RESERVED.

REGAL REGAL-BELOIT CORPORATION

DESCRIPTION	
MODEL-SFHP-C-FR OUTLINE	
SIZE C	DWG NO C01326
SCALE NONE	SHEET 1