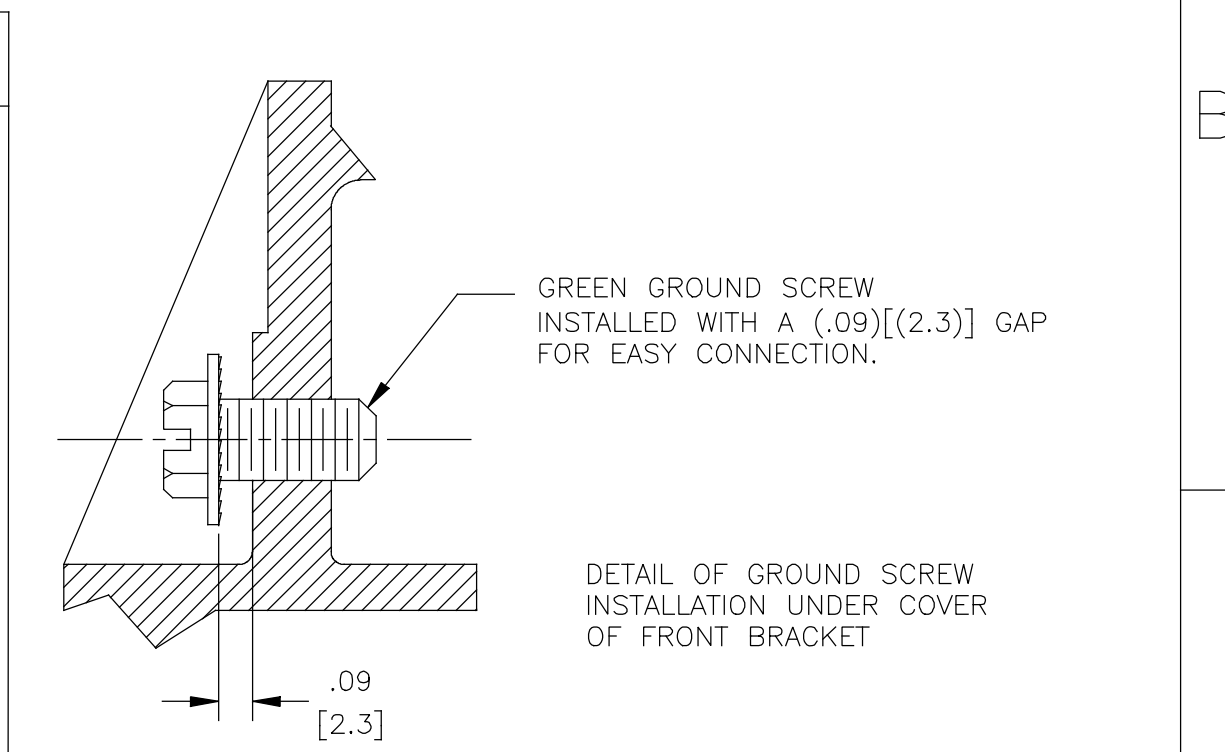


NAMEPLATE DATA	EXTERNAL CONNECTION DIAGRAM	NOTES
MODEL: F48AD32A01 CUST PN: BN37V1 HP: 1.0/1.125 SF: 1 ROT: CCWPE RPM: 3450/1725 TYPE: C/F CODE: A FORM: FRAME: 48Y VOLTS: 115 AMPS: 10.8/2.8 MAX AMPS: SF AMPS: PH: 1 HZ: 60 INS: B AMB: 40 DUTY: CONT ENCLOSURE: ODP THERMALLY-PROTECTED		1. LEAD END FRAME TO BE ORIENTED TO DRIVE END FRAME TO WITHIN ±2° 2. ALL DIMENSIONS SHOWN IN PARENTHESIS ARE REFERENCE DIMENSIONS.



PERFORMANCE CURVE	APPROVED SAMPLE		
F48K2W4	0802263B		
UL COMPONENT	CSA		
FILE#	CCN#	FILE#	GUIDE#
PENDING	PENDING	PENDING	PENDING
CUSTOMER	DISTRUBUTION		

DRAWING REVISION	REVISION BY	DATE	TOLERANCES UNLESS OTHERWISE SPECIFIED	DRAWN BY:	Regal Beloit America, Inc.	
L	G. RODRIGUEZ	04-26-2019	DEC. INCH mm ANGLE	FX		
ECO	APPROVED BY	DATE	.X ±0.1 [±2.5] ±0.5°	DATE:		
ECO-0165900	G. RODRIGUEZ	04-26-2019	.XX ±0.02 [±0.51]	10-15-2014		
ECO DESCRIPTION			.XXX ±0.005 [±0.127]	APPROVED BY:	DESCRIPTION	
SEE ECO			.XXXX ±0.0005 [±0.0127]	SH	MODEL-PFHP-48FR	
<small>COPYRIGHT REGAL BELOIT AMERICA, INC. ALL RIGHTS RESERVED. PROPRIETARY AND CONFIDENTIAL INFORMATION - THIS DOCUMENT IS THE PROPERTY OF REGAL BELOIT AMERICA, INC. (OWNER) AND CONTAINS OWNER'S PROPRIETARY INFORMATION. ANY PERSON, CORPORATION OR OTHER FIRM RECEIVING IT IS DEEMED, BY RECEIVING IT, TO AGREE THAT IT, AND/OR ANY PART OF IT, SHALL NOT BE DISCLOSED TO ANY PERSON, CORPORATION OR OTHER ENTITY, DUPLICATED, AND/OR USED, EXCEPT AS EXPRESSLY APPROVED IN WRITING IN ADVANCE BY OWNER. THIS DOCUMENT SHALL BE RETURNED TO OWNER UPON REQUEST. IT MAY BE SUBJECT TO CERTAIN RESTRICTIONS UNDER APPLICABLE EXPORT CONTROL LAWS AND REGULATIONS.</small>			REMOVE BURRS & BREAK SHARP EDGES .003/.015 [0.076/.381]	DATE:	OUTLINE	
			CORNER FILLETS .02 [51]	10-15-2014	MATERIAL	PROCESS/FINISH
			MACHINED SURFACES 125/INCH 32/mm	REFERENCE		
			mm SHOWN IN [BRACKETS]	THIRD ANGLE PROJECTION	SIZE DWG NO	SHEET
					C BN37V1	1