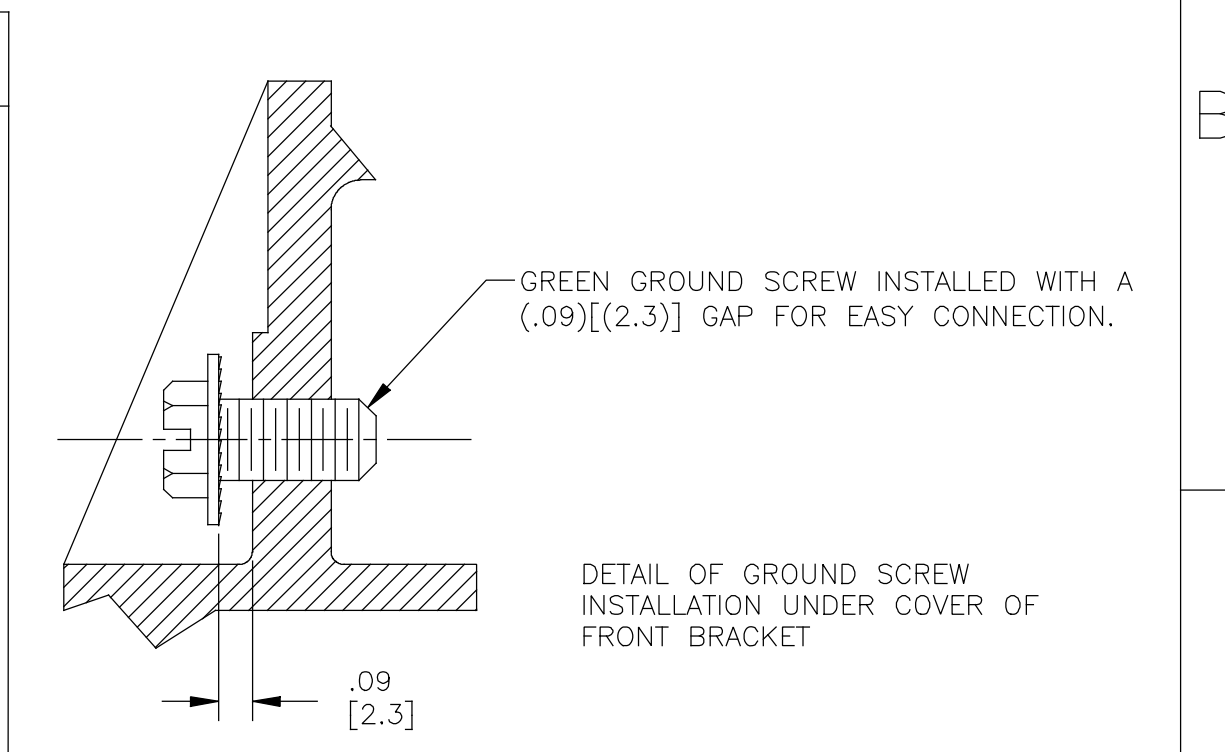


NAMEPLATE DATA	EXTERNAL CONNECTION DIAGRAM	NOTES
MODEL: C48AA72A01 CUST PN: BN35V1 HP: 1.5 SF: 1.0 ROT: CCWPE RPM: 3450 TYPE: CS CODE: H. FORM: FRAME: 48Y VOLTS: 230/115 AMPS: . MAX AMPS: . SF AMPS: 8.0/16.0 PH: 1 HZ: 60 INS: B AMB: 40 DUTY: CONT ENCLOSURE: ODP THERMALLY-PROTECTED	<p> HIGH VOLTAGE: 1-LINE, 3-BLACK TR, 5-BLACK, 6-LINE LOW VOLTAGE: 1-LINE, 3-BLACK TR, 5-BLACK, 6-LINE NON-REVERSIBLE USE COPPER CONDUCTORS ONLY </p>	<ol style="list-style-type: none"> LEAD END FRAME TO BE ORIENTED TO DRIVE END FRAME TO WITHIN ±2°. ALL DIMENSIONS SHOWN IN PARENTHESIS ARE REFERENCE DIMENSIONS. LIMITS ON AMPLITUDE OF VIBRATION MEASURED AT BEARING HOUSING = .001 [.02] CONNECTED FOR 230V. DUAL VOLTAGE MOTOR. SEE CONNECTION DIAGRAM TO CHANGE VOLTAGE TO 115 VOLTS.



PERFORMANCE CURVE	APPROVED SAMPLE		
C48M2W25	CSR-000017AP5		
UL COMPONENT	CSA		
FILE#	CCN#	FILE#	GUIDE#
PENDING	PENDING	PENDING	PENDING
CUSTOMER	DISTRIBUTION		

DRAWING REVISION	REVISION BY	DATE	TOLERANCES UNLESS OTHERWISE SPECIFIED
M	G. RODRIGUEZ	04-25-2019	DEC. INCH mm ANGLE
ECO	APPROVED BY	DATE	.XX ±0.1 [±2.5] ±0.5°
ECO-0165900	G. RODRIGUEZ	04-25-2019	.XX ±0.02 [±0.51]
ECO DESCRIPTION			.XXX ±0.005 [±0.127]
SEE ECO			.XXXX ±0.0005 [±0.0127]
			REMOVE BURRS & BREAK SHARP EDGES .003/.015 [0.076/.381]
			CORNER FILLETS .02 [51]
			MACHINED SURFACES 125/INCH 3/2
			mm SHOWN IN [BRACKETS]

DRAWN BY:	DATE:	APPROVED BY:	DATE:	REFERENCE:	THIRD ANGLE PROJECTION	SIZE	DWG NO	SHEET
FX	09-08-2010	BL	09-08-2010		ASME Y14.5	C	BN35V1	1
REGAL™ Regal Beloit America, Inc.		DESCRIPTION		MATERIAL		PROCESS/FINISH		
		MODEL-PFHP-48FR						
		OUTLINE						