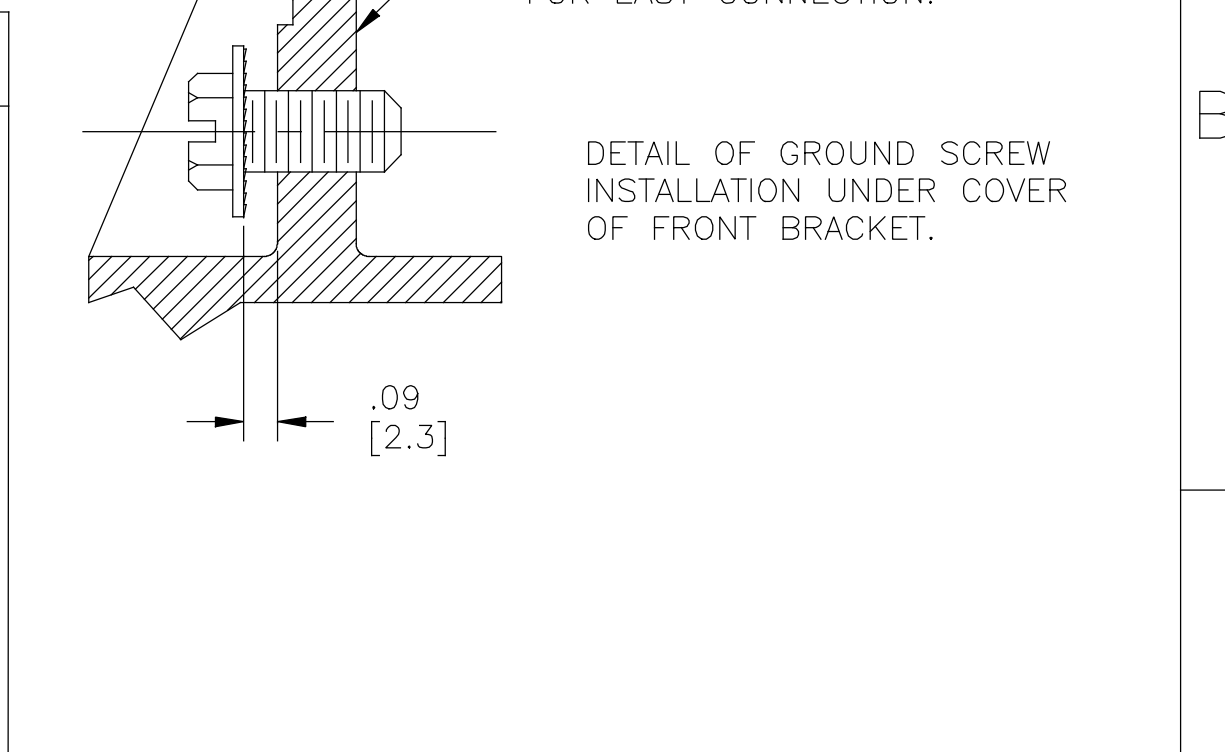


NAMEPLATE DATA		EXTERNAL CONNECTION DIAGRAM	NOTES
MODEL: S48AA46A01 CUST PN: BN23V1 HP: 5 SF: 1.0 ROT: CCWPE RPM: 3450 TYPE: SP CODE: L FORM: FRAME: 48Y VOLTS: 115 AMPS: MAX AMPS: SF AMPS: 7.0 PH: 1 HZ: 60 INS: B AMB: 40°C DUTY: CONT ENCLOSURE: ODP THERMALLY PROTECTED			1. LEAD END FRAME TO BE ORIENTED TO DRIVE END FRAME TO WITHIN +/- 2". 2. ALL DIMENSIONS SHOWN IN PARENTHESIS ARE REFERENCE DIMENSIONS.



PERFORMANCE CURVE		APPROVED SAMPLE		DRAWING REVISION				TOLERANCES UNLESS OTHERWISE SPECIFIED				DRAWN BY:		REGAL™ Regal Beloit America, Inc.			
S48H2W42		08017952A		G	G. RODRIGUEZ	04-25-2019	DEC.	INCH	mm	ANGLE	TZ		REGAL™ Regal Beloit America, Inc.				
UL COMPONENT		CSA		ECO	G. RODRIGUEZ	04-25-2019	.XX	±0.1	[±2.5]	±0.5°	DATE:		DESCRIPTION				
FILE#	CCN#	FILE#	GUIDE#	ECO-0165900			.XX	±0.02	[±0.51]		08-17-2010		MODEL-PFHP-48FR				
PENDING	PENDING	PENDING	PENDING	SEE ECO			.XXX	±0.005	[±0.127]		APPROVED BY:		OUTLINE				
CUSTOMER				COPYRIGHT REGAL BELOIT AMERICA, INC. ALL RIGHTS RESERVED. PROPRIETARY AND CONFIDENTIAL INFORMATION - THIS DOCUMENT IS THE PROPERTY OF REGAL BELOIT AMERICA, INC. (OWNER) AND CONTAINS OWNER'S PROPRIETARY INFORMATION. ANY PERSON, CORPORATION OR OTHER FIRM RECEIVING IT IS DEEMED, BY RECEIVING IT, TO AGREE THAT IT, AND/OR ANY PART OF IT, SHALL NOT BE DISCLOSED TO ANY PERSON, CORPORATION OR OTHER ENTITY, DUPLICATED, AND/OR USED, EXCEPT AS EXPRESSLY APPROVED IN WRITING IN ADVANCE BY OWNER. THIS DOCUMENT SHALL BE RETURNED TO OWNER UPON REQUEST. IT MAY BE SUBJECT TO CERTAIN RESTRICTIONS UNDER APPLICABLE EXPORT CONTROL LAWS AND REGULATIONS.				REMOVE BURRS & BREAK SHARP EDGES .003/.015 [0.076/.381] X 45° CORNER FILLETS R.02 [51] MACHINED SURFACES 125/3.2 INCH/mm				DATE:		MATERIAL		PROCESS/FINISH	
								.XXXX ±0.0005 [±0.0127]				08-17-2010					
								THIRD ANGLE PROJECTION				REFERENCE					
								SIZE DWG NO				C		BN23V1			
												SHEET		1			