

GENERAL INFORMATION:

SHAFT RUNOUT: .001 [.03]T.I.R. PER INCH LENGTH OF EXTENSION

END PLAY: .010[.25] TO .063[1.60]

BEARINGS: SLEEVE

MOUNTING POSITION: ALL ANGLE

ELECTRICAL DATA:

OVERLOAD PROTECTOR: AUTOMATIC RESET (T.I. 7AM 034)

LEADS: NO. 18 GA., .06[1.5] THK. 125° C INSUL

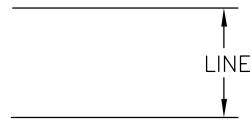
GROUND LEAD: NO. 18 GA., .03[.8] THK. (GREEN/YELLOW) INSUL.

SEE NOTE 1

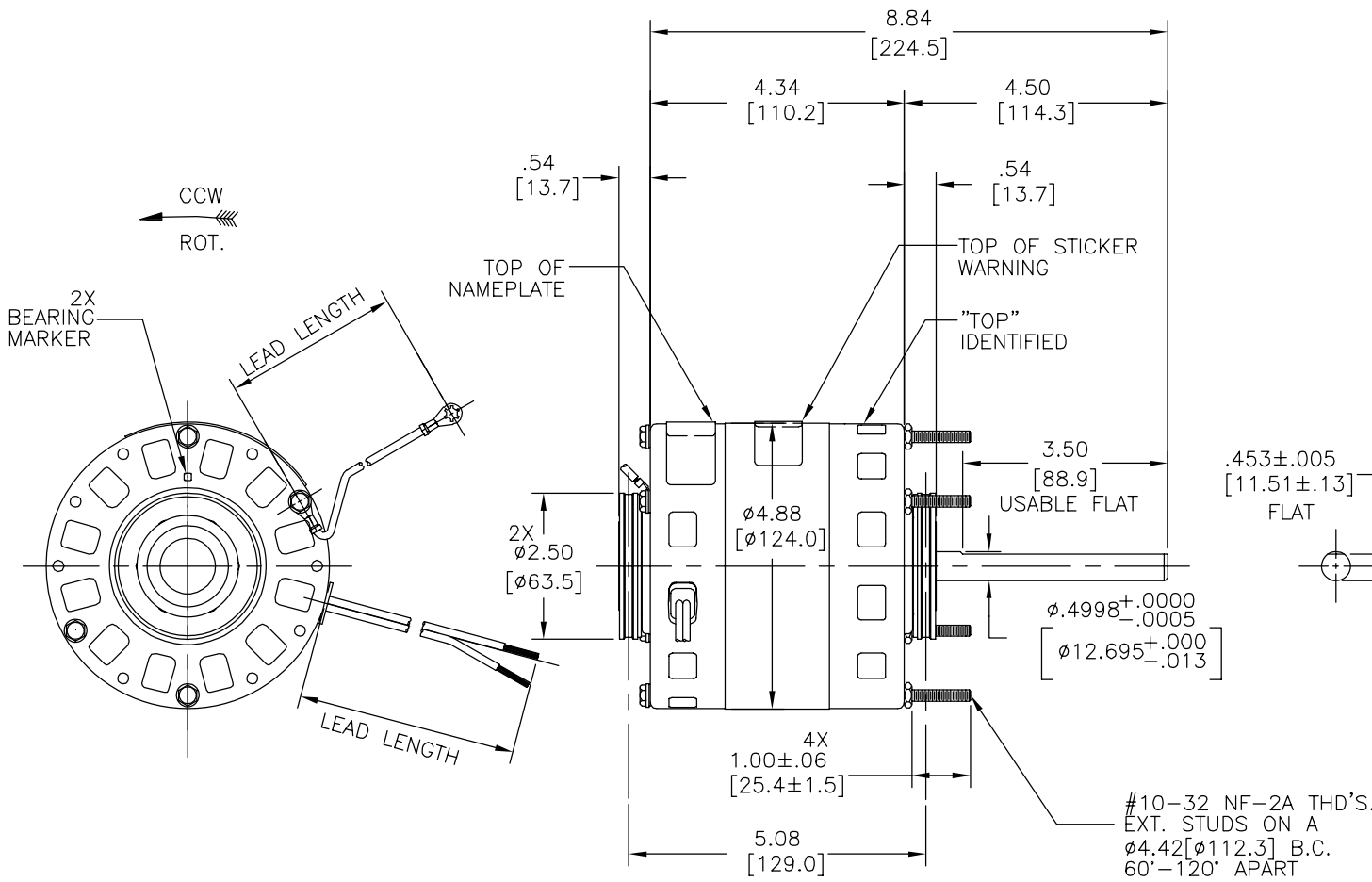
NAMEPLATE DATA:

EXTERNAL CONNECTION DIAGRAM

MODEL NO.: B42A91A01
 CUST. P/N: -
 HP: 1/4
 ROT.: CCWLE
 RPM: 1050
 TYPE: FE
 FRAME: 42Y
 VOLTS: 115
 PH: 1
 AMPS: 9.4
 HZ: 60
 INS.: B
 AMB.: 40° C
 DUTY: AIR OVER
 CAP.: -
 ENCL.: -
 UL LOGO
 CSA LOGO
 THERMALLY PROTECTED



PERFORMANCE CURVE NO.	TORQUE @ 1050 RPM (25°C)	APPROVED SAMPLE	UL COMPONENT		CSA	
			FILE #	CCN #	FILE #	CLASS #
C32288	27.7 OZ. FT.	0442804B	E46412	PRGY2	LR43341	4211-01



NOTE:
 1. DISTRIBUTION PART NUMBER: BLR640S
 GRAINGER PART NUMBER: 4UU81

GREEN/YELLOW (GRD)	11/13 [279/330]	#10 EYELET
2 COND. RIPCORD	24.5/27.5 [622/699]	050 [12.7]SKIN
COLOR	LENGTH	TERMINAL OR STRIP LENGTH
	LEAD DATA	

MAIN FRAME - OLE	OPEN
END FRAME - OLE	OPEN
MAIN FRAME - LE	OPEN
END FRAME - LE	OPEN

CUSTOMER	DISTRIBUTION SERVICE

REGAL-BELOIT CORPORATION (RBC) PROVIDES TECHNICAL ASSISTANCE TO OUR CUSTOMERS IN SEVERAL AREAS. SINCE RBC DOES NOT RECEIVE ALL DATA CONCERNING THE USE AND APPLICATION OF THE MOTOR, THE SUITABILITY OF THE MOTOR FOR THE APPLICATION MUST BE DETERMINED BY THE CUSTOMER.

DRAWING REVISION	REVISION BY	DATE
D	D.DUARTE	04-24-2014
ECO	D.VALENCIANO	04-24-2014

ECO-0049649
 SEE ECO
 COPYRIGHT REGAL-BELOIT AMERICA, INC. ALL RIGHTS RESERVED. REGAL-BELOIT AMERICA, INC. ("OWNER") AND CONTAINS OWNER'S PROPRIETARY INFORMATION. ANY PERSON, CORPORATION OR OTHER FIRM RECEIVING IT IS DEEMED, BY RECEIVING IT, TO AGREE THAT IT, AND/OR ANY PART OF IT, SHALL NOT BE DISCLOSED TO ANY PERSON, CORPORATION OR OTHER ENTITY, DUPLICATED, AND/OR USED, EXCEPT AS EXPRESSLY APPROVED IN WRITING IN ADVANCE BY OWNER. THIS DOCUMENT SHALL BE RETURNED TO OWNER UPON REQUEST. IT MAY BE SUBJECT TO CERTAIN RESTRICTIONS UNDER APPLICABLE EXPORT CONTROL LAWS AND REGULATIONS.

DIMENSIONS WITHOUT TOLERANCES ARE FOR REFERENCE ONLY.

DRAWN BY: J.RUPERT
 DATE: 08-11-2014
 APPROVED BY: G.PIAT
 DATE: 08-11-2014
 PROCESS/FINISH
 THIRD ANGLE PROJECTION

REGAL™ Regal Beloit America, Inc.	
DESCRIPTION	OUTLINE
MATERIAL	
SIZE DWG NO	11674-035
SHEET	1