

4

3

2

1

REV	ECO	REV BY	DATE	APPD	DATE
B	0025539	O. CARVAJAL	04-24-2012	D. BALDERRAMA	04-24-2012

GENERAL INFORMATION:

SHAFT RUNOUT: .001 [.03] T.I.R. PER INCH LENGTH OF EXTENSION

END PLAY: .010[.25] TO .063[1.60]

BEARINGS: SLEEVE

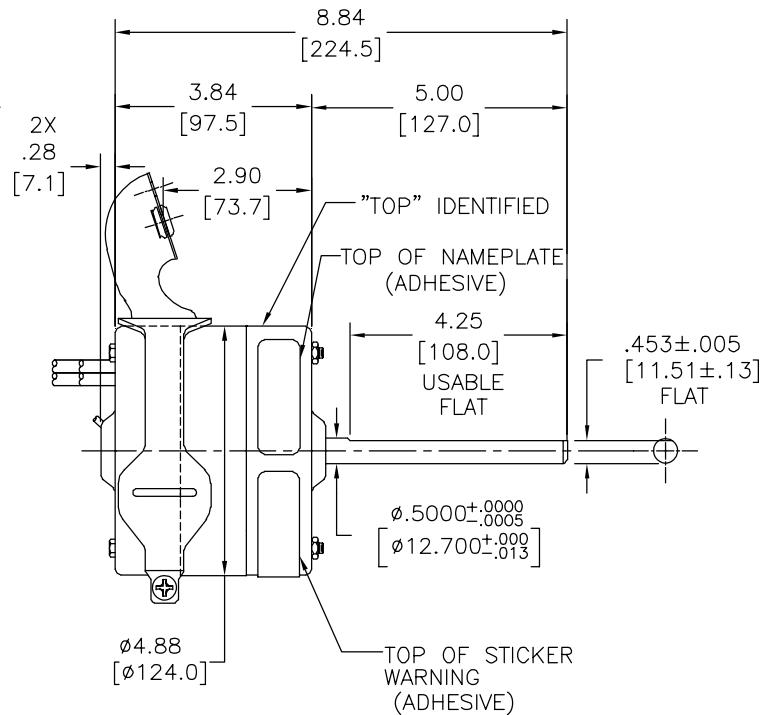
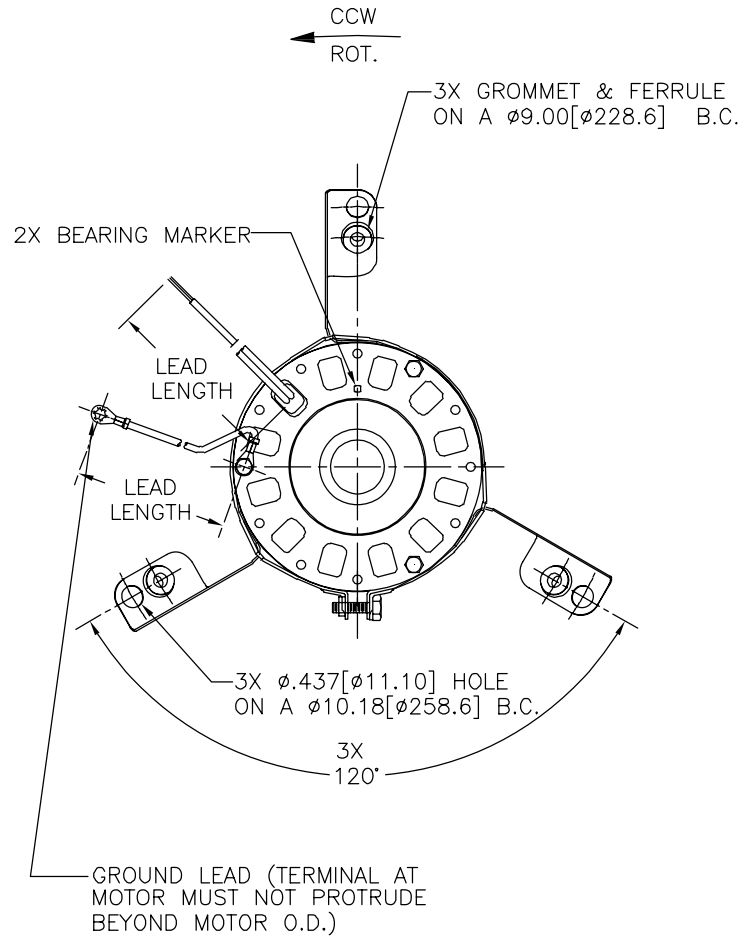
MOUNTING POSITION: HORIZONTAL

ELECTRICAL DATA:

OVERLOAD PROTECTOR: AUTOMATIC RESET (T.I. 7AM 304)

LEADS: NO. 18 GA., .03 [.8] THK., 125°C INSUL.

GROUND LEAD: NO. 18 GA., .03 [.8] THK. (GRN/YEL) INSUL.



NOTE:
1. DISTRIBUTION PART NUMBER: BL6532
GRAINGER PART NUMBER: 4MB44

GRN/YEL (GRD)	11.0/13.0 [279/330]	#10 EYELET
RED	24.0/26.0 [610/660]	.50 [12.7] SKIN
BLUE	24.0/26.0 [610/660]	.50 [12.7] SKIN
BLACK	24.0/26.0 [610/660]	.50 [12.7] SKIN
WHITE	24.0/26.0 [610/660]	.50 [12.7] SKIN
COLOR	LENGTH	TERMINAL OR STRIP LENGTH

MAIN FRAME - OLE	ENCLOSED
END FRAME - OLE	OPEN
MAIN FRAME - LE	ENCLOSED
END FRAME - LE	OPEN

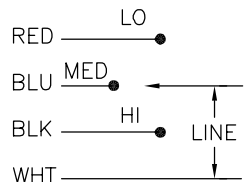
CUSTOMER	DISTRIBUTION SERVICES
----------	-----------------------

NAMEPLATE DATA:

SEE NOTE 1

EXTERNAL CONNECTION DIAGRAM

MODEL NO.: B42A88A01
CUST. P/N:
HP: 1/10-1/12-1/15
ROT.: CCWLE
RPM: 1050/3 SPD
TYPE: FE
FRAME: 42Y
VOLTS: 115
PH: 1
AMPS: 3.2
HZ: 60
INS.: B
AMB.: 40°C
DUTY: AIR OVER
CAP.: -
ENCL: -
UL LOGO
CSA LOGO
THERMALLY PROTECTED



PERFORMANCE CURVE NO.	TORQUE @ 1075 RPM (25°C)	APPROVED SAMPLE	UL COMPONENT		CSA	
			FILE #	CCN #	FILE #	CLASS #
C30535	8.0 OZ. FT.	89AC504A	E46412	PRGY2	LR43341	4211-01

GEOMETRIC CHARACTERISTICS & SYMBOLS
 ▽ FLATNESS
 — STRAIGHTNESS
 ∠ ANGULARITY
 ⊥ PERPENDICULARITY (SQUARENESS)
 // PARALLELISM
 ○ ROUNDNESS (CIRCULARITY)
 R CYLINDRICITY
 △ PROFILE OF ANY SURFACE
 ∩ PROFILE OF ANY LINE
 ↗ RUNOUT
 ⊕ TRUE POSITION
 ⊙ CONCENTRICITY
 = SYMMETRY

REGAL-BELOIT CORPORATION (RBC) PROVIDES TECHNICAL ASSISTANCE TO OUR CUSTOMERS IN SEVERAL AREAS. SINCE RBC DOES NOT RECEIVE ALL DATA CONCERNING THE USE AND APPLICATION OF THE MOTOR, THE SUITABILITY OF THE MOTOR FOR THE APPLICATION MUST BE DETERMINED BY THE CUSTOMER.

DIMENSIONS WITHOUT TOLERANCES ARE FOR REFERENCE ONLY.

ASME Y14.5M 1994

DR BY: AS 02-14-2011
 APPD: BS 02-14-2011
 EDS DATE 11-11-2011
 FORMAT REV G

THIRD ANGLE PROJECTION

CONFIDENTIAL: THIS DRAWING AND ITS INFORMATION ARE THE EXCLUSIVE AND CONFIDENTIAL PROPERTY OF REGAL-BELOIT CORPORATION AND ARE NOT TO BE DISCLOSED, DUPLICATED, DISTRIBUTED OR OTHERWISE USED WITHOUT THE WRITTEN CONSENT OF REGAL-BELOIT CORPORATION. -ALL RIGHTS RESERVED.



DESCRIPTION: OUTLINE

SIZE: C DWG NO: B42A88A01

SCALE: NONE SHEET 1

4

3

2

1

4

3

2

1

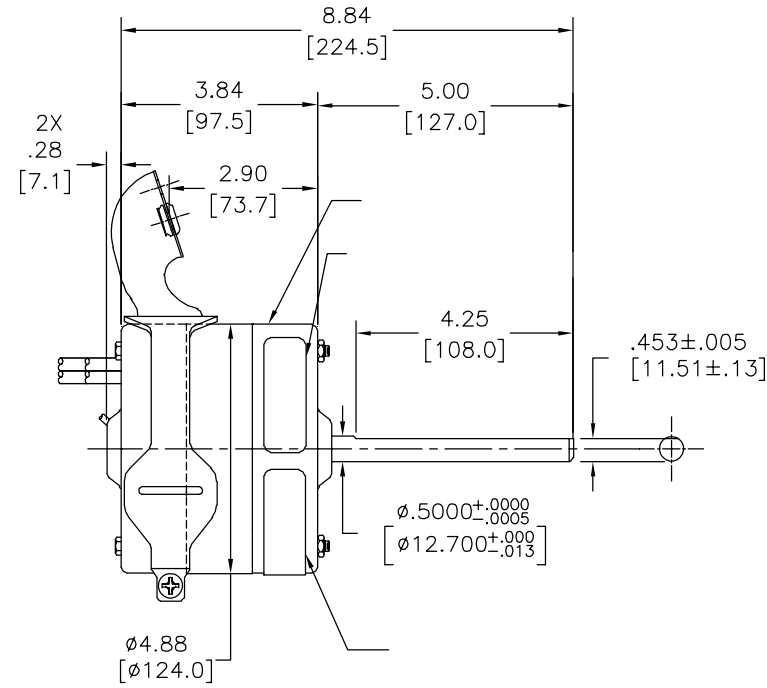
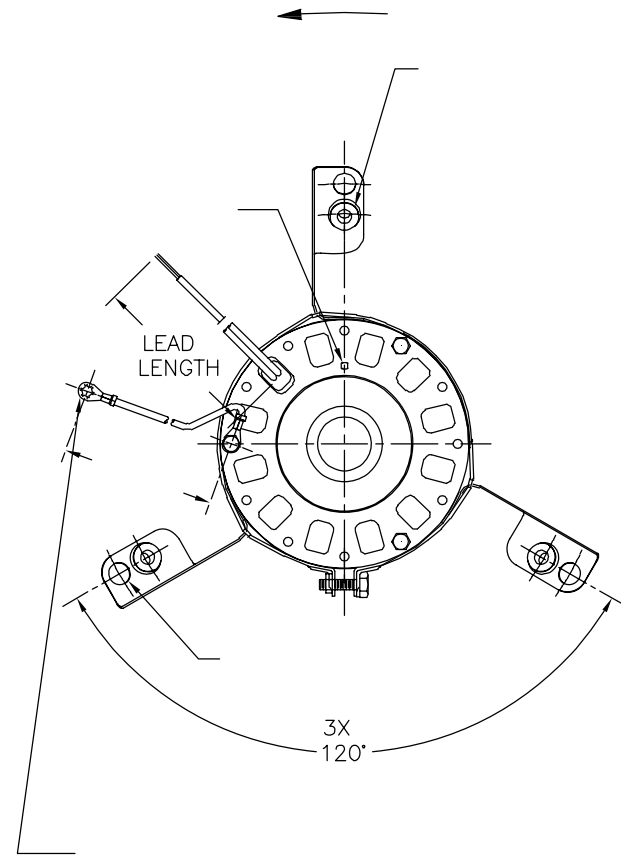
REVISION:	ECO	REVISADO POR:	FECHA:	APROBADO POR:	FECHA:
B	0025539	O. CARVAJAL	04-24-2012	D. BALDERRAMA	04-24-2012

INFORMACION GENERAL:

OSCILACION DE FLECHA: -
 JUEGO AXIAL: -
 BALEROS: -
 POSICION DEL MONTAJE: -

INFORMACION ELECTRICA:

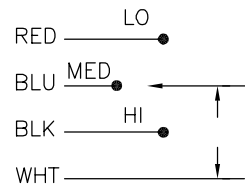
PROTECTOR DE SOBRECARGA: -
 CABLES: -
 CABLE DE TIERRA: -



INFORMACION DE ETIQUETA:

DIAGRAMA DE CONEXION EXTRNA

MODEL NO.: B42A88A01
 CUST. P/N:
 HP: 1/10-1/12-1/15
 ROT.: CCWLE
 RPM: 1050/3 SPD
 TYPE: FE
 FRAME: 42Y
 VOLTS: 115
 PH: 1
 AMPS: 3.2
 HZ: 60
 INS.: B
 AMB.: 40°C
 DUTY: AIR OVER
 CAP.: -
 ENCL: -
 UL LOGO
 CSA LOGO
 THERMALLY PROTECTED



CURVAS DE FUNCIONAMIENTO	TORSION @ RPM (25°C)	MUESTRA APROBADA	COMPONENTE UL		CSA	
			#ARCHIVO	CCN #	#ARCHIVO	CLASE #
C30535	8.0 OZ. FT.	89AC504A	E46412	PRGY2	LR43341	4211-01

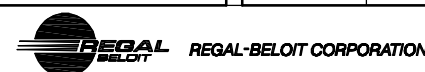
	11.0/13.0 [279/330]	
-	24.0/26.0 [610/660]	.50 [12.7]
-	24.0/26.0 [610/660]	.50 [12.7]
-	24.0/26.0 [610/660]	.50 [12.7]
-	24.0/26.0 [610/660]	.50 [12.7]

CARCASA - LOC	-
TAPA - LOC	-
CARCASA - LC	-
TAPA - LC	-

CLIENTE	DISTRIBUTION SERVICES
---------	-----------------------

COLOR	LONGITUD	TERMINAL O LONGITUD DE DESFORRE

DIBUJADO POR: AS 02-14-2011
 APROBADO POR: BS 02-14-2011
 TERCER ANGULO DE PROYECCION
 FECHA EDS: 11-11-2011
 REV. FORMATO: G
 CONFIDENCIAL: ESTE DIBUJO Y SU INFORMACION SON PROPIEDAD DE USO EXCLUSIVO Y CONFIDENCIAL DE REGAL-BELOIT CORPORATION. Y NO DEBERAN SER REVELADOS, DUPLICADOS, DISTRIBUIDOS O USARSE DE OTRA MANERA SIN EL CONSENTIMIENTO ESCRITO DE REGAL-BELOIT CORPORATION. -TODOS LOS DERECHOS RESERVADOS.



DESCRIPCION: OUTLINE
 TAMAÑO: C NUMERO DE DIBUJO: B42A88A01
 ESCALA: NONE HOJA: 1

CARACTERISTICAS DE GEOMETRIA Y SIMBOLOS
 □ PLANICIDAD
 - RECTITUD
 < ANGULARIDAD
 ⊥ PERPENDICULARIDAD (A ESCUADRA)
 // PARALELISMO
 ○ REDONDEZ (CIRCULARIDAD)
 R CILINDRICIDAD
 △ PERFIL DE CUALQUIER SUPERFICIE
 ▽ PERFIL DE CUALQUIER LINEA
 ↗ VARIACION
 ⊕ POSICION REAL
 ⊙ CONCENTRICIDAD
 = SIMETRIA
 ASME Y14.5M 1994

REGAL-BELOIT CORPORATION (RBC) PROVEE ASISTENCIA TECNICA A NUESTROS CLIENTES EN VARIAS AREAS DESDE QUE RBC NO RECIBE TODOS LOS DATOS EN RELACION AL USO Y A LA APLICACION DEL MOTOR, LA APLICACION ADECUADA DEL MOTOR DEBE SER DETERMINADA POR EL CLIENTE.
 DIMENSIONES SIN TOLERANCIA SON DE REFERENCIA SOLAMENTE

4

3

2

1

版本	ECO	编制	日期	批准	日期
B	0025539	O. CARVAJAL	04-24-2012	D. BALDERRAMA	04-24-2012

总技术要求:

轴跳动:

端部窜动量

轴承:

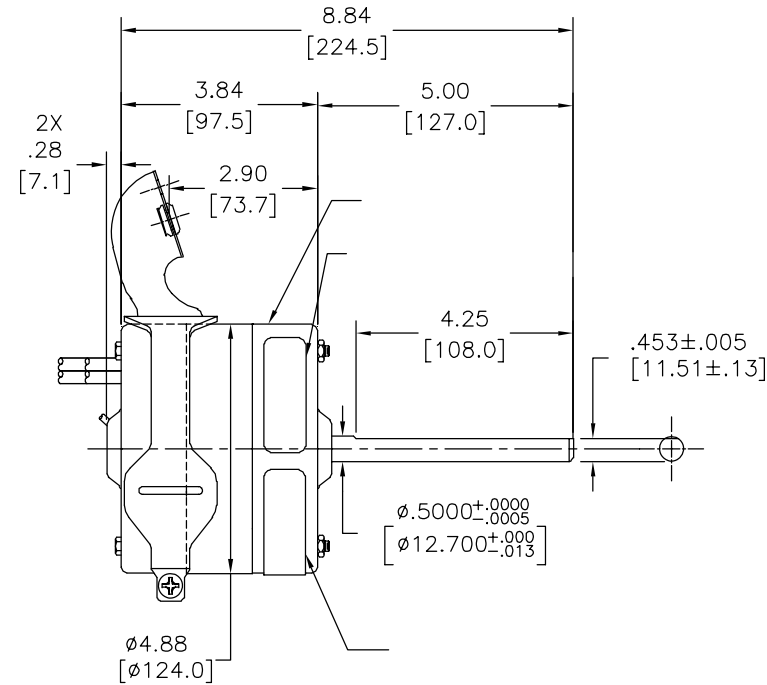
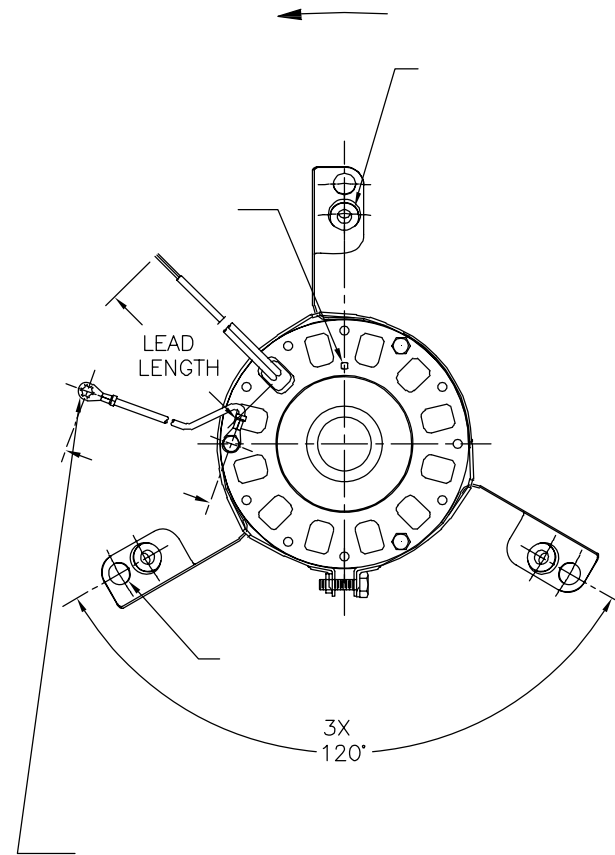
安装位置:

电气数据:

过载保护:

引线:

接地线:



铭牌数据	外部数据线
MODEL NO.: B42A88A01 CUST. P/N: HP: 1/10-1/12-1/15 ROT.: CCWLE RPM: 1050/3 SPD TYPE: FE FRAME: 42Y VOLTS: 115 PH: 1 AMPS: 3.2 HZ: 60 INS.: B AMB.: 40°C DUTY: AIR OVER CAP.: - ENCL: - UL LOGO CSA LOGO THERMALLY PROTECTED	RED — LO BLU — MED BLK — HI WHT —

颜色	长度	端子或剥线长度
	11.0/13.0 [279/330]	
	24.0/26.0 [610/660]	.50 [12.7]
	24.0/26.0 [610/660]	.50 [12.7]
	24.0/26.0 [610/660]	.50 [12.7]
	24.0/26.0 [610/660]	.50 [12.7]

UL部件		CSA	
文件号	指南	文件号	指南
E46412	PRGY2	LR43341	4211-01

无引线端机壳	
无引线端端盖	
有引线端机壳	
有引线端端盖	

用户	DISTRIBUTION SERVICES
----	-----------------------

性能曲线编号	转矩在 @ — RPM (25° C)	批准样品	文件号	指南	文件号	指南
C30535	8.0 OZ. FT.	89AC504A	E46412	PRGY2	LR43341	4211-01

- 形位公差
- 平面度
- 直线度
- ∠ 倾斜度
- ⊥ 垂直度
- ∥ 平行度
- 圆度
- 圆柱度
- ⊂ 面轮廓度
- ⊂ 线轮廓度
- ⊕ 圆跳动
- ⊕ 位置度
- ⊕ 同轴度
- ≡ 对称度

REGAL-BELOIT CORPORATION (RBC) 在个别领域为客户提供技术支持。鉴于 RBC 未收到任何涉及电机使用和应用环境的数据，电机的适用性由客户自己决定。

未注公差尺寸仅供参考。

ASME Y14.5M 1994

绘图:	AS	02-14-2011
批准:	BS	02-14-2011
第三角投影	图纸格式发布日期 11-11-2011 图纸格式版本 G	
机密: 本图纸及相关信息所有权归REGAL-BELOIT CORPORATION。未经REGAL-BELOIT CORPORATION书面授权, 不得泄露、复制、传播或作其他用途。一版权所有		

REGAL-BELOIT CORPORATION	
名称	
OUTLINE	
图幅	图号
C	B42A88A01
比例	页号
NONE	1