

GENERAL INFORMATION:

SHAFT RUNOUT: .001 [.03] T.I.R. PER INCH LENGTH OF EXTENSION

END PLAY: .010[.25] TO .063[1.60]

BEARINGS: SLEEVE

MOUNTING POSITION: HORIZONTAL

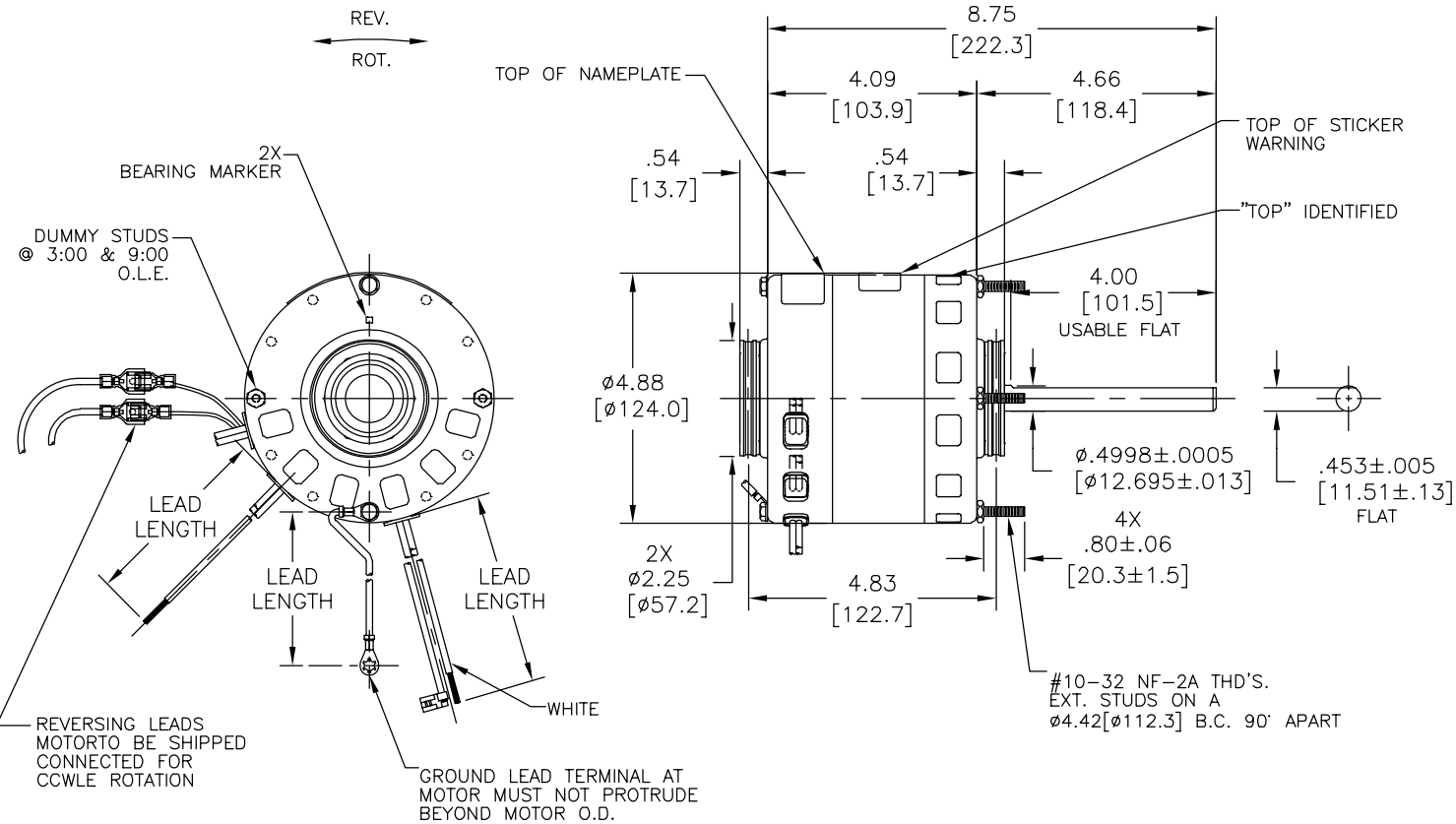
ELECTRICAL DATA:

OVERLOAD PROTECTOR: AUTOMATIC RESET (T.I. 7AM 304)

LEADS: NO. 18 GA., .06[1.5] THK., 125°C INSUL.

REVERSING LEADS: NO. 18 GA., 125°C INSUL. (.03[.8] THK., BLACK, BLUE & WHITE) (.06[1.5] THK., BROWN)

GROUND LEAD: NO. 18 GA., .03[.8] THK., (GREEN) INSUL.



GREEN(GRD)	5/7 [127/178]	#10 EYELET
BLUE(REV)	4/6 [102/152]	PRE-INSUL. MALE TAB
BLACK(REV)	4/6 [102/152]	PRE-INSUL. FEMALE SPADE
WHITE(REV)	4/6 [102/152]	PRE-INSUL. MALE TAB
BROWN(REV)	4/6 [102/152]	PRE-INSUL. FEMALE SPADE
BROWN/WHITE	12/14 [305/356]	.25[6.4] FLAG
BROWN	12/14 [305/356]	.25[6.4] FLAG
BLUE	28/30 [711/762]	.60[15.2] SKIN
RED	28/30 [711/762]	.60[15.2] SKIN
BLACK	28/30 [711/762]	.60[15.2] SKIN
WHITE	28/30 [711/762]	.60[15.2] SKIN
COLOR	LENGTH	TERMINAL OR STRIP LENGTH

MAIN FR. - OLE	OPEN
END FR. - OLE	OPEN
MAIN FR. - LE	SEMI-ENCL.
END FR. - LE	SEMI-ENCL.

CUST	DISTRIBUTION SERVICES
------	-----------------------

NAMEPLATE DATA:	EXTERNAL CONNECTION DIAGRAM
MODEL NO: F42F21A01 CUST. P/N: BL6530 HP: 1/3 ROT.: REVERSIBLE RPM: 1075/3 SPD. TYPE: FLL FRAME: 42Y VOLTS: 115 PH: 1 AMPS: 6.3 HZ: 60 INS.: B AMB: 40°C DUTY: AIR OVER CAP.: 15 MFD/370V UL & CSA LOGO THERMALLY PROTECTED TYPE C	<p>RED — LO</p> <p>BLU — MED</p> <p>BLK — HI</p> <p>WHT — LINE</p> <p>BRN/WHT —</p> <p>BRN —</p> <p>ROTATION AT LEAD END CW CCW</p> <p>WHT — BRN —</p> <p>BLK — WHT —</p> <p>BLU — BLU —</p> <p>BRN — BLK —</p>

PERFORMANCE CURVE NO.	TORQUE @ 1075 RPM (25°C)	APPROVED SAMPLE	UL COMPONENT		CSA	
			FILE #	GUIDE #	FILE #	GUIDE #
C32331	33.8 OZ. FT.	0442704D	E46412	PRGY2	LR43341	4211-01

DRAWING REVISION			
A	J.AGUILERA	DATE	04-08-2014
ECO	APPROVED BY	DATE	04-08-2014
0047317	G.ALVIREZ		
ECO DESCRIPTION			
CHANGE OUTLINES AND END FRAME VENTS			
<small>COPYRIGHT REGAL BELOIT AMERICA, INC. ALL RIGHTS RESERVED. PROPRIETARY AND CONFIDENTIAL INFORMATION - THIS DOCUMENT IS THE PROPERTY OF REGAL BELOIT AMERICA, INC. (OWNER) AND CONTAINS OWNER'S PROPRIETARY INFORMATION. ANY PERSON, CORPORATION OR OTHER FIRM RECEIVING IT IS DEEMED, BY RECEIVING IT, TO AGREE THAT IT, AND/OR ANY PART OF IT, SHALL NOT BE DISCLOSED TO ANY PERSON, CORPORATION OR OTHER ENTITY, DUPLICATED, AND/OR USED, EXCEPT AS EXPRESSLY APPROVED IN WRITING IN ADVANCE BY OWNER. THIS DOCUMENT SHALL BE RETURNED TO OWNER UPON REQUEST. IT MAY BE SUBJECT TO CERTAIN RESTRICTIONS UNDER APPLICABLE EXPORT CONTROL LAWS AND REGULATIONS.</small>			

REGAL-BELOIT CORPORATION (RBC) PROVIDES TECHNICAL ASSISTANCE TO OUR CUSTOMERS IN SEVERAL AREAS. SINCE RBC DOES NOT RECEIVE ALL DATA CONCERNING THE USE AND APPLICATION OF THE MOTOR, THE SUITABILITY OF THE MOTOR FOR THE APPLICATION MUST BE DETERMINED BY THE CUSTOMER. DIMENSIONS WITHOUT TOLERANCES ARE FOR REFERENCE ONLY.

DRAWN BY: J.AGUILERA	DATE: 04-08-2014
APPROVED BY: G.ALVIREZ	DATE: 04-08-2014
REFERENCE: 11664-009	THIRD ANGLE PROJECTION

Regal Beloit America, Inc.	
DESCRIPTION: MODEL-RFHP-42FR OUTLINE	
MATERIAL	PROCESS/FINISH
SIZE DWG NO: C	BL6530
SHEET: 1	