

GENERAL INFORMATION:

SHAFT RUNOUT: .001 [.025] T.I.R. PER INCH LENGTH OF EXTENSION

END PLAY: .010[.254] TO .063[1.600]

BEARINGS: SLEEVE

MOUNTING: HORIZONTAL

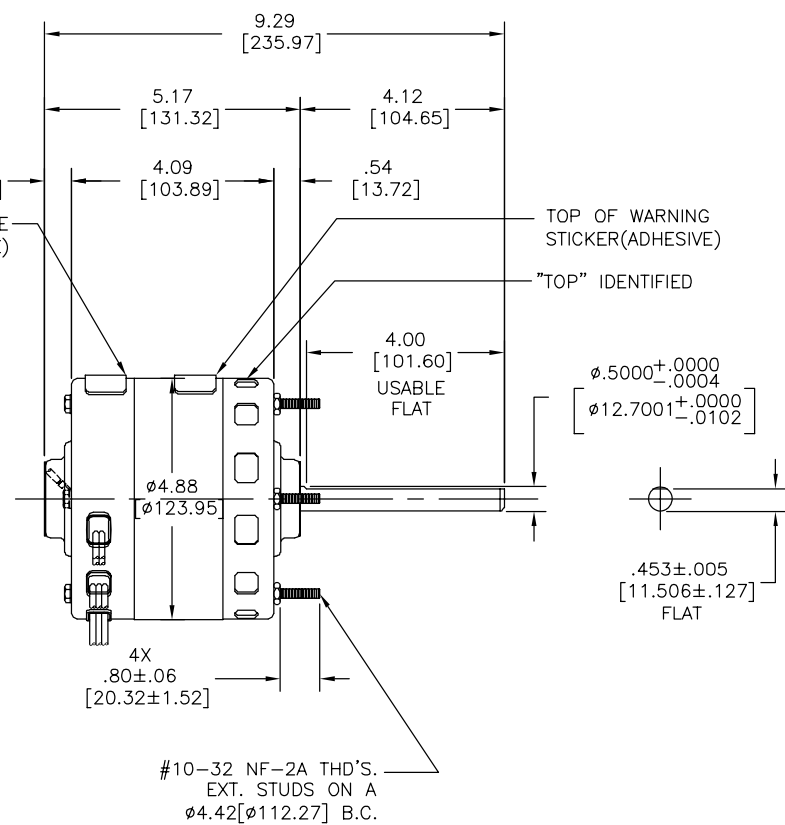
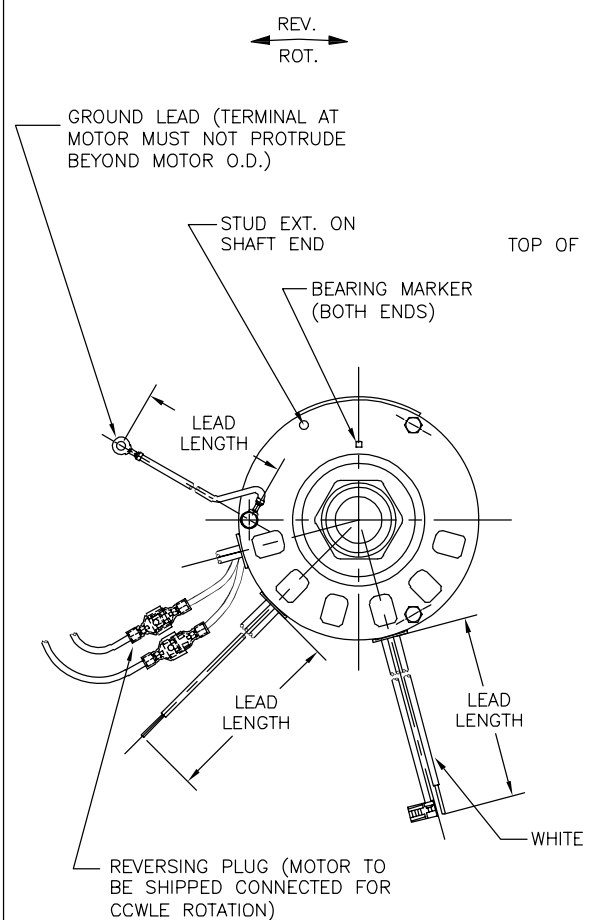
ELECTRICAL DATA:

OVERLOAD PROTECTOR: AUTOMATIC RESET (SENSATA 7AM 304)

LEADS: NO. 18 GA., .06 [1.52] THK. 125°C INSUL.

REVERSING LEADS: NO. 18 GA., 125°C INSUL. (.03 THK. BLACK,BLUE, AND WHITE) (.06 THK. BROWN)

GROUND LEAD: NO. 18 GA., .03 [.76] THK. GREEN INSUL.



GREEN(GRD)	5.0/7.0[127.0/177.8]	#10 EYELET
BLUE(REV)	4.0/6.0[101.6/152.4]	PRE-INSUL. TAB TERM.
BLACK(REV)	4.0/6.0[101.6/152.4]	PRE-INSUL. SPADE TERM.
WHITE(REV)	4.0/6.0[101.6/152.4]	PRE-INSUL. TAB TERM.
BROWN(REV)	4.0/6.0[101.6/152.4]	PRE-INSUL. SPADE TERM.
BROWN/WHITE	12.0/14.0[304.8/355.6]	.25[6.35] FLAG
BROWN	12.0/14.0[304.8/355.6]	.25[6.35] FLAG
BLUE	28.0/30.0[711.2/762.0]	.60 [15.24] SKIN
RED	28.0/30.0[711.2/762.0]	.60 [15.24] SKIN
BLACK	28.0/30.0[711.2/762.0]	.60 [15.24] SKIN
WHITE	28.0/30.0[711.2/762.0]	.60 [15.24] SKIN
COLOR	LENGTH	TERMINAL OR STRIP LENGTH

REGAL-BELOIT CORPORATION (RBC) PROVIDES TECHNICAL ASSISTANCE TO OUR CUSTOMERS IN SEVERAL AREAS. SINCE RBC DOES NOT RECEIVE ALL DATA CONCERNING THE USE AND APPLICATION OF THE MOTOR, THE SUITABILITY OF THE MOTOR FOR THE APPLICATION MUST BE DETERMINED BY THE CUSTOMER.

DIMENSIONS WITHOUT TOLERANCES ARE FOR REFERENCE ONLY.

MAIN FRAME - OLE	OPEN
END FRAME - OLE	OPEN
MAIN FRAME - LE	SEMI-ENCL
END FRAME - LE	SEMI-ENCL

CUSTOMER	DIST. SERVICE
----------	---------------

NAMEPLATE DATA:	EXTERNAL CONNECTION DIAGRAM
MODEL: 322P924 CUST. P/N: BL6519 HP: 1/4 1/5 1/6 ROT: REV. RPM: 1075/3 SPD TYPE: FLL FRAME: 42Y VOLTS: 115 PH: 1 AMPS: 4.7 HZ: 60 INS: B* AMB: 40C DUTY: AIR OVER CODE: - CAP.: 5 MFD/370V UL LOGO CSA LOGO THERMALLY PROTECTED TYPE C	<p>RED — LO</p> <p>BLU — MED</p> <p>BLK — HI</p> <p>WHT — LINE</p> <p>BRN/WHT —</p> <p>BRN —</p> <p>ROTATION AT LEAD END</p> <p>CW CCW</p> <p>WHT — BRN</p> <p>BLK — WHT</p> <p>BLU — BLU</p> <p>BRN — BLK</p>

PERFORMANCE CURVE NO.	TORQUE @1075 RPM (25°C)	APPROVED SAMPLE	CCN #		CSA	
			FILE #	CLASS #	FILE #	CLASS #
C30175	23.6 OZ. FT.	PSE7726C	E46993	PRGY2	LR43341	4211-01

LEAD DATA		
DRAWING REVISION	REVISION BY	DATE
A	G.ZHAO	12-18-2014
ECO	APPROVED BY	DATE
0067294	C.ZHANG	12-18-2014
ECO DESCRIPTION		
NEW DRAWING		
<small>COPYRIGHT REGAL-BELOIT AMERICA, INC. ALL RIGHTS RESERVED. PROPRIETARY AND CONFIDENTIAL INFORMATION - THIS DOCUMENT IS THE PROPERTY OF REGAL-BELOIT AMERICA, INC. (OWNER) AND CONTAINS OWNER'S PROPRIETARY INFORMATION. ANY PERSON, CORPORATION OR OTHER FIRM RECEIVING IT IS DEEMED, BY RECEIVING IT, TO AGREE THAT IT, AND/OR ANY PART OF IT, SHALL NOT BE DISCLOSED TO ANY PERSON, CORPORATION OR OTHER ENTITY, DUPLICATED, AND/OR USED, EXCEPT AS EXPRESSLY APPROVED IN WRITING IN ADVANCE BY OWNER. THIS DOCUMENT SHALL BE RETURNED TO OWNER UPON REQUEST. IT MAY BE SUBJECT TO CERTAIN RESTRICTIONS UNDER APPLICABLE EXPORT CONTROL LAWS AND REGULATIONS.</small>		

DRAWN BY:	REGAL™ Regal Beloit America, Inc.	
DATE:	12-18-2014	
APPROVED BY:	TDT	
DATE:	12-18-2014	
REFERENCE	MATERIAL	PROCESS/FINISH
THIRD ANGLE PROJECTION	SIZE DWG NO	SHEET
	C	BL6519 1

D
C
B
A

D
C
B
A

4 3 2 1

4 3 2 1

4 3 2 1

4 3 2 1