

GENERAL INFORMATION:

SHAFT RUNOUT: .001 [.03] T.I.R. PER INCH LENGTH OF EXTENSION

END PLAY: .010 [.25] TO .063 [1.60]

BEARINGS: SLEEVE

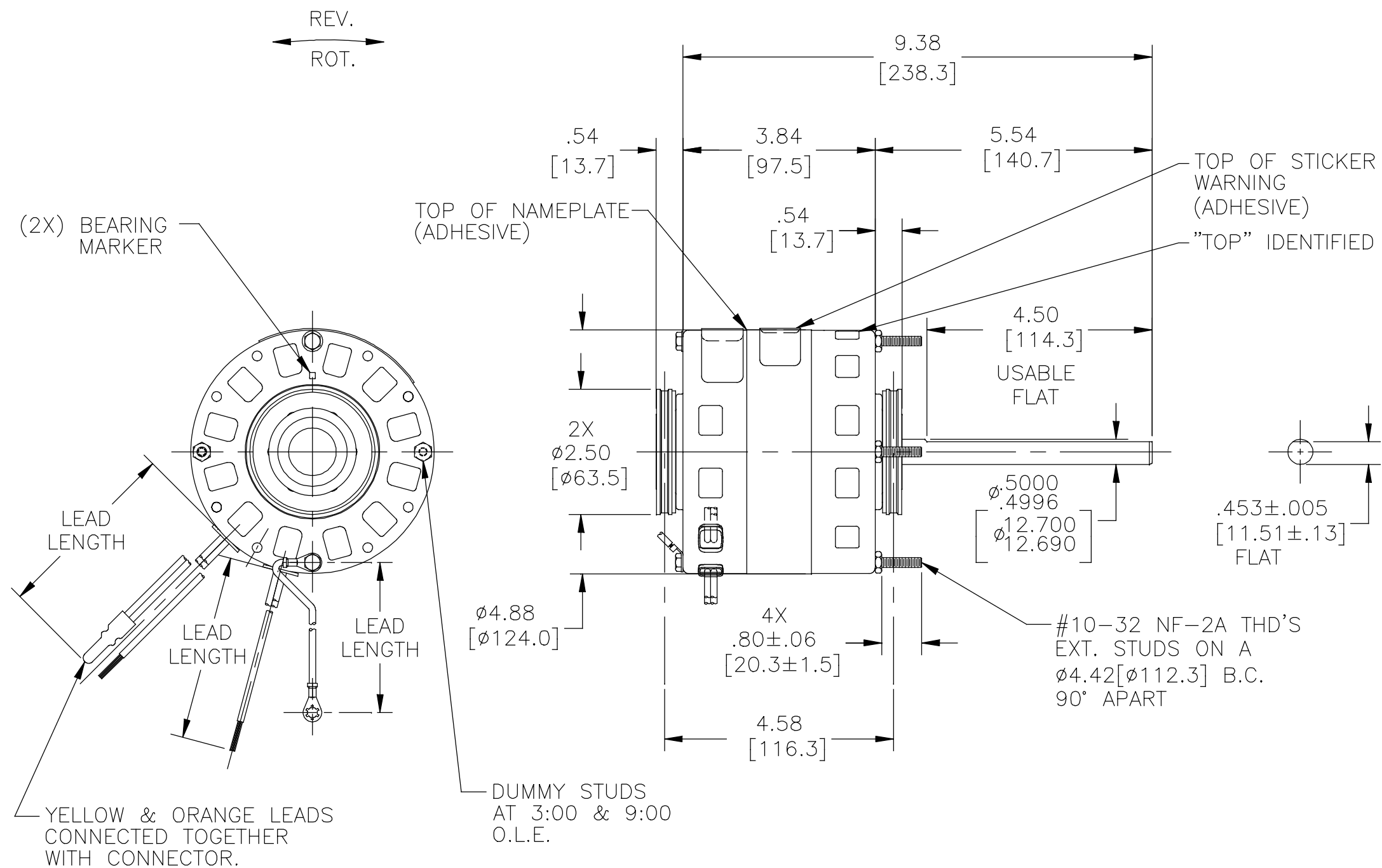
MOUNTING POSITION: HORIZONTAL

ELECTRICAL DATA:

OVERLOAD PROTECTOR: AUTOMATIC RESET SENSATA 7AM 304

LEADS: NO. 18 GA., .03 [.8] THK., 125°C INSUL.

GROUND LEAD: NO. 18 GA., .03 [.8] THK., GREEN INSUL.



NAMEPLATE DATA:	EXTERNAL CONNECTION DIAGRAM
MODEL NO: F42F12A01 CUST. P/N: BL6505V1 HP: 1/5, 1/8, 1/10 ROT.: REVERSIBLE RPM: 1075 TYPE: FLL FRAME: 42Y VOLTS: 115 PH: 1 AMPS: 3.2, 2.1, 1.7 HZ: 60 INS.: B AMB: 40°C DUTY: AIR OVER CAP.: 7.5 MFD/370V UL & CSA LOGO THERMALLY PROTECTED TYPE C	

COLOR	LENGTH	TERMINAL OR STRIP LENGTH
GREEN (GRD)	9.0/11.0 [229/279]	#10 EYELET
YELLOW	34.5/37.5 [876/953]	.60 [15.2] SKIN
ORANGE	34.5/37.5 [876/953]	.60 [15.2] SKIN
BROWN	34.5/37.5 [876/953]	.60 [15.2] SKIN
BLACK	34.5/37.5 [876/953]	.60 [15.2] SKIN
WHITE	34.5/37.5 [876/953]	.60 [15.2] SKIN
BLUE	34.5/37.5 [876/953]	.60 [15.2] SKIN
RED	34.5/37.5 [876/953]	.60 [15.2] SKIN

ENCLOSURE	CUSTOMER	DISTRIBUTION SERVICES
MAIN FR. - OLE OPEN END FR. - OLE OPEN MAIN FR. - LE OPEN END FR. - LE OPEN		

PERFORMANCE CURVE NO.	TORQUE @ 1075 RPM (25°C)	APPROVED SAMPLE	UL COMPONENT FILE #	GUIDE #	CSA FILE #	GUIDE #
C32102	19.3 OZ. FT.	PSA7748	E46412	PRGY2	LR43341	4211-01

DRAWING REVISION G ECO ECO-01746003 ECO DESCRIPTION CORRECTED VENTS	REVISION BY J. RUPERT APPROVED BY J. RUPERT	DATE 10-07-2019 DATE 10-07-2019	DRAWN BY: J. RUPERT DATE: 08-05-2004 APPROVED BY: J. RUPERT DATE: 08-05-2004 REFERENCE 11674-032 THIRD ANGLE PROJECTION	REGAL™ Regal Beloit America, Inc. DESCRIPTION MODEL-RFHP-42FR OUTLINE MATERIAL PROCESS/FINISH	SIZE DWG NO C BL6505V1 SHEET 1
--	--	--	---	--	---

COPYRIGHT REGAL BELOIT AMERICA, INC. ALL RIGHTS RESERVED. PROPRIETARY AND CONFIDENTIAL INFORMATION - THIS DOCUMENT IS THE PROPERTY OF REGAL BELOIT AMERICA, INC. (OWNER) AND CONTAINS OWNER'S PROPRIETARY INFORMATION. ANY PERSON, CORPORATION OR OTHER FIRM RECEIVING IT IS DEEMED, BY RECEIVING IT, TO AGREE THAT IT, AND/OR ANY PART OF IT, SHALL NOT BE DISCLOSED TO ANY PERSON, CORPORATION OR OTHER ENTITY, DUPLICATED, AND/OR USED, EXCEPT AS EXPRESSLY APPROVED IN WRITING IN ADVANCE BY OWNER. THIS DOCUMENT SHALL BE RETURNED TO OWNER UPON REQUEST. IT MAY BE SUBJECT TO CERTAIN RESTRICTIONS UNDER APPLICABLE EXPORT CONTROL LAWS AND REGULATIONS.