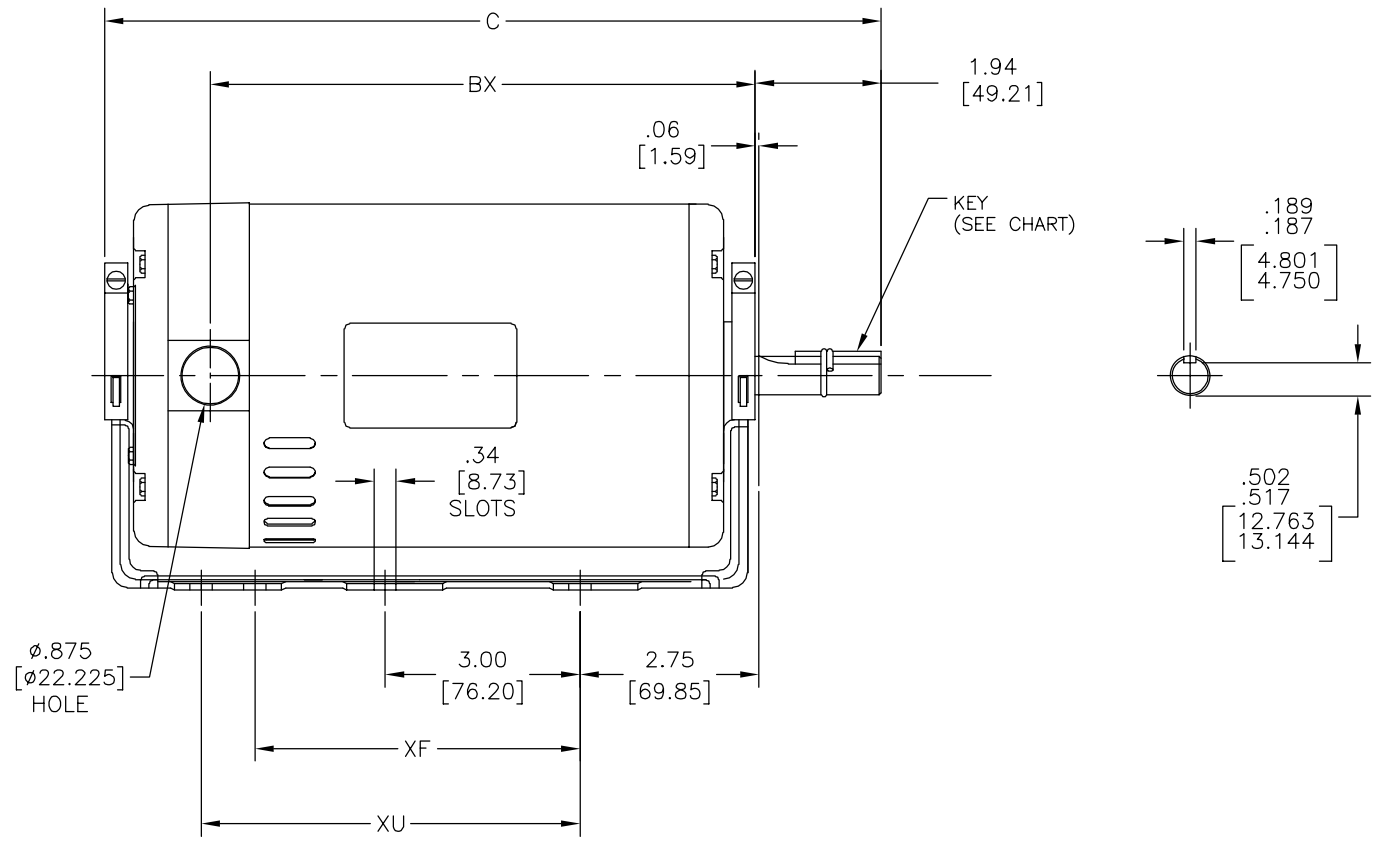
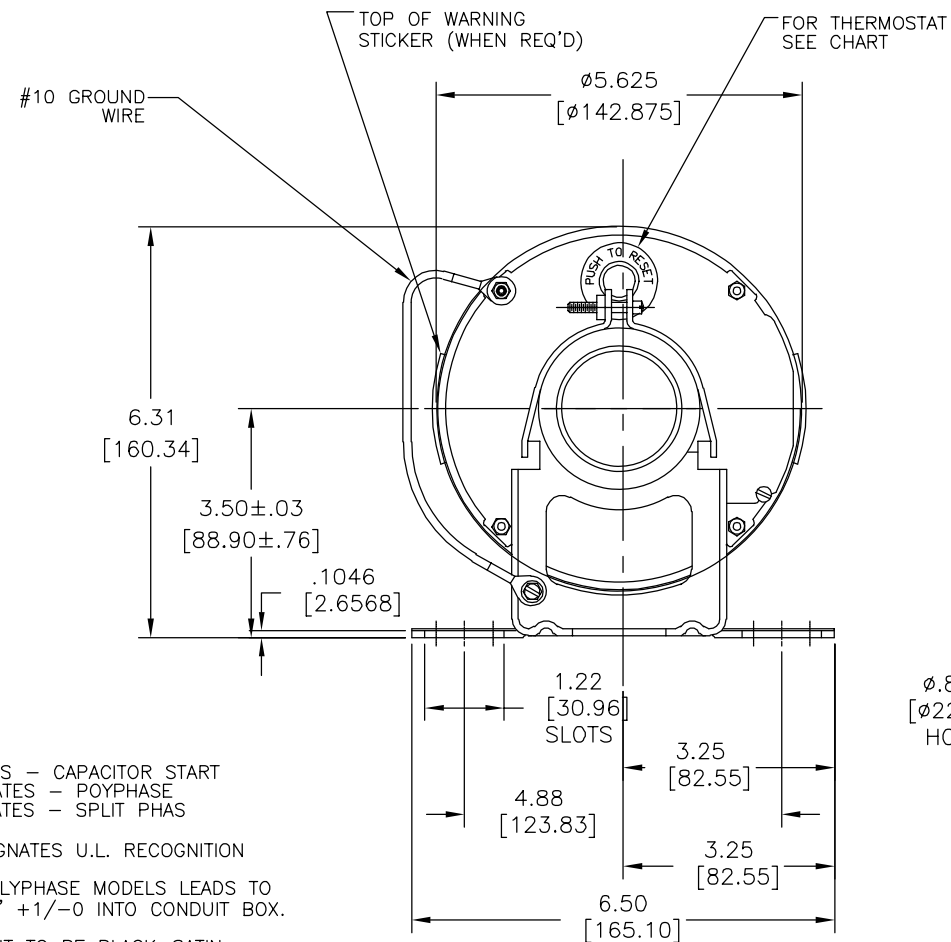


4

3

2

1



- NOTES:
1. C. INDICATES - CAPACITOR START
P. INDICATES - POYPHASE
S. INDICATES - SPLIT PHAS
 - "U" DESIGNATES U.L. RECOGNITION
 2. ON ALL POLYPHASE MODELS LEADS TO EXTEND 6" +1/-0 INTO CONDUIT BOX.
 3. FINISH PAINT TO BE BLACK-SATIN
 4. LIMITS ON AMPLITUDE OF VIBRATION MEASURED AT BEARING HOUSING = .001
 5. CARBON STEEL SHAFT

MOTOR ASSEMBLY	MODEL	HP	VOLTS	CYC.	PHASE	RPM	ROT. P.E.	BEARINGS	THERMOSTAT	FRAME	C	XF	XU	BX	KEY			TYPE *	CHARACTERISTICS	REMARKS
															WIDTH	THICK	LENGTH			
608542-011	BK1102	1	115/208-230	60	1	3450	DUAL	SHIELDED BALL	AUTO-RESET	56	11 15/16	5	OMIT	8 3/8	3/16	3/16	1 3/8	U.C.	BLOWER	U.L. APPROVED
608558-013	BK3072	3/4	230/460	60	3	3450	DUAL	SHIELDED BALL	AUTO-RESET	56	11 7/16	OMIT	OMIT	7 7/8	3/16	3/16	1 3/8	U.P.	NEMA	U.L. APPROVED
608558-014	BK3102	1	230/460	60	3	3450	DUAL	SHIELDED BALL	AUTO-RESET	56	11 15/16	5	OMIT	8 3/8	3/16	3/16	1 3/8	U.P.	NEMA	U.L. APPROVED

DRAWING REVISION D	REVISION BY D.MENDOZA	DATE 05-02-2014	TOLERANCES UNLESS OTHERWISE SPECIFIED DEC. INCH mm ANGLE .X ±0.1 [±2.5] ±0.5° .XX ±0.02 [±0.51] .XXX ±0.005 [±0.127] .XXXX ±0.0005 [±0.0127]	DRAWN BY: CJS	Regal Beloit America, Inc.
ECCO-0049738	APPROVED BY F.PAYAN	DATE 05-02-2014	REMOVE BURRS & BREAK SHARP EDGES .003/.015 [0.076/.381] CORNER/FILLETS .02 [1.51] MACHINED SURFACES 125/3.2 mm SHOWN IN [BRACKETS]	DATE: 09-23-1963	
ECCO DESCRIPTION UPDATED TO NEW STANDARDS			APPROVED BY: HAS	DESCRIPTION OUTLINE	
<small> COPYRIGHT REGAL BELOIT AMERICA, INC. ALL RIGHTS RESERVED. PROPRIETARY AND CONFIDENTIAL INFORMATION - THIS DOCUMENT IS THE PROPERTY OF REGAL BELOIT AMERICA, INC. (OWNER) AND CONTAINS OWNER'S PROPRIETARY INFORMATION. ANY PERSON, CORPORATION OR OTHER FIRM RECEIVING IT IS DEEMED, BY RECEIVING IT, TO AGREE THAT IT, AND/OR ANY PART OF IT, SHALL NOT BE DISCLOSED TO ANY PERSON, CORPORATION OR OTHER ENTITY, DUPLICATED, AND/OR USED, EXCEPT AS EXPRESSLY APPROVED IN WRITING IN ADVANCE BY OWNER. THIS DOCUMENT SHALL BE RETURNED TO OWNER UPON REQUEST. IT MAY BE SUBJECT TO CERTAIN RESTRICTIONS UNDER APPLICABLE EXPORT CONTROL LAWS AND REGULATIONS. </small>			DATE: 09-25-1963	MATERIAL -	
				PROCESS/FINISH -	SIZE DWG NO C 10778-001
				THIRD ANGLE PROJECTION	SHEET 1

4

3

2

1