

4

3

2

1

REV	ECO	REV BY	DATE	APPD	DATE
C	0025791	A.RODRIGUEZ	05-22-2012	D.MUÑOZ	05-22-2012

GENERAL INFORMATION:

SHAFT RUNOUT: .001 [.03] T.I.R. PER INCH LENGTH OF EXTENSION

BEARINGS: BALL

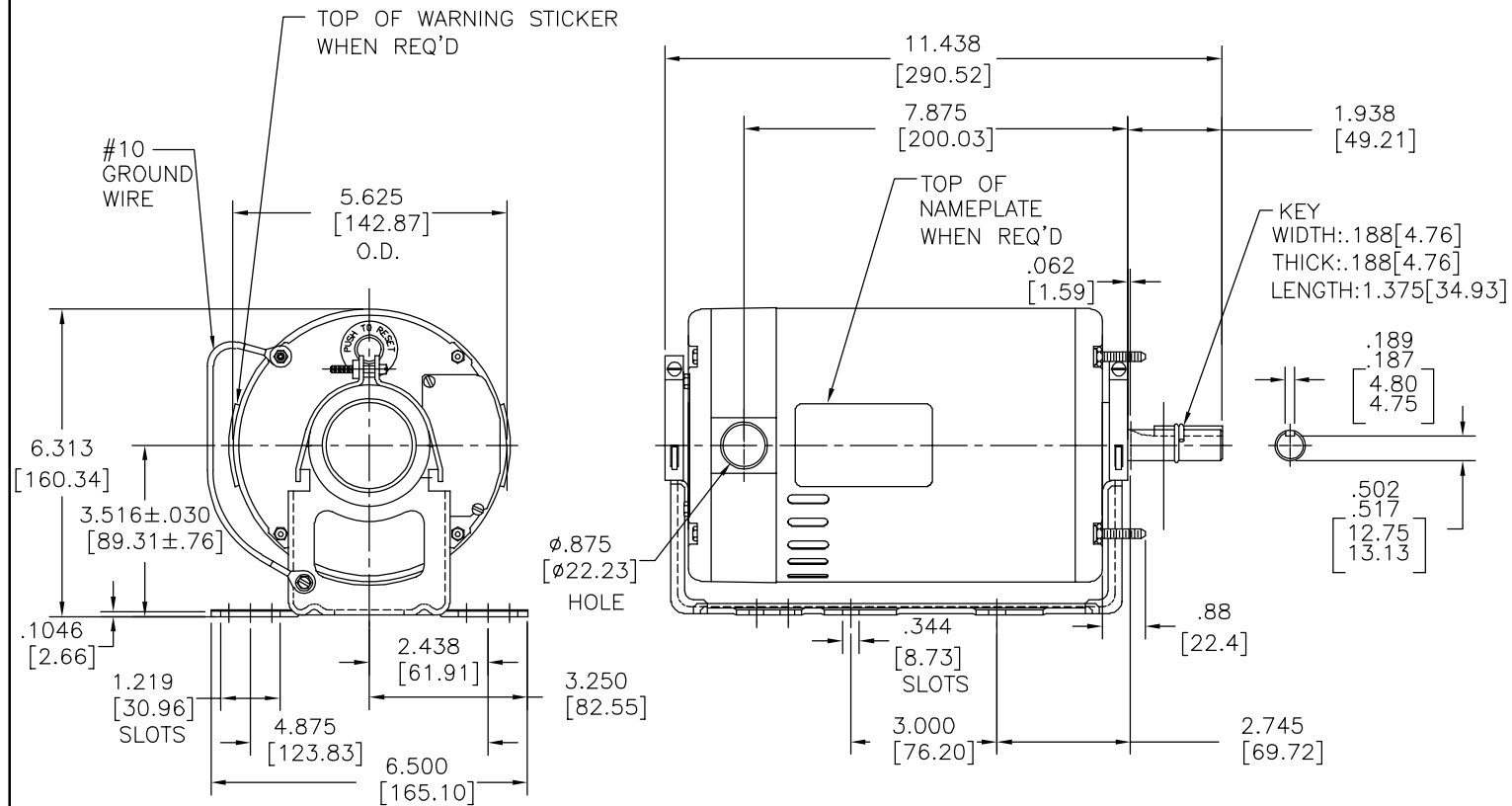
MOUNTING POSITION: HORIZONTAL

ELECTRICAL DATA:

OVERLOAD PROTECTOR: AUTO-RESET(MWJ72JR)

LEADS: NO. 18 GA., .03 [.8]THK. XLP 125°C INSUL.

GROUND LEAD: NO. 10 GA., .03[.8] THK. (GREEN) INSUL.



RED(1)	6.5/8.5 [165/216]	.50 [12.7] SKIN
RED(2)	6.5/8.5 [165/216]	.50 [12.7] SKIN
RED(3)	6.5/8.5 [165/216]	.50 [12.7] SKIN
YELLOW(4)	6.5/8.5 [165/216]	.50 [12.7] SKIN
YELLOW(5)	6.5/8.5 [165/216]	.50 [12.7] SKIN
YELLOW(6)	6.5/8.5 [165/216]	.50 [12.7] SKIN
BLUE(7)	6.5/8.5 [165/216]	.50 [12.7] SKIN
BLUE(8)	6.5/8.5 [165/216]	.50 [12.7] SKIN
BLUE(9)	6.5/8.5 [165/216]	.50 [12.7] SKIN
BLACK	6.5/8.5 [165/216]	.50 [12.7] SKIN
ORANGE	6.5/8.5 [165/216]	.50 [12.7] SKIN
PURPLE	6.5/8.5 [165/216]	.50 [12.7] SKIN
COLOR	LENGTH	TERMINAL OR STRIP LENGTH

NOTES:

- C. INDICATES - CAPACITOR START
P. INDICATES - POLYPHASE
S. INDICATES - SPLIT PHASE
"U" DESIGNATES U.L. RECOGNITION
- ON ALL POLYPHASE MODELS LEADS TO EXTEND 6.00[152.4] +1/-0 INTO CONDUIT BOX.
- FINISH PAINT TO BE BLACK-SATIN
- LIMITS ON AMPLITUDE OF VIBRATION MEASURED AT BEARING HOUSING = .001[.02]
- CARBON STEEL SHAFT

MAIN FRAME - OLE	CLOSED
END FRAME - OLE	OPEN
MAIN FRAME - LE	OPEN
END FRAME - LE	CLOSED

CUSTOMER -

NAMEPLATE DATA:	EXTERNAL CONNECTION DIAGRAM
MODEL NO.: P48A65A01 CUST. P/N: BK3054V1 HP: 0.5 ROT.: REV RPM: 1725 TYPE: P FRAME: 56Y VOLTS: 208-230/460 PH: 3 AMPS: 1.90/0.95 HZ: 60 INS.: B AMB.: 40° C DUTY: CONT CAP.: - ENCL: ODP UL LOGO CSA LOGO THERMALLY PROTECTED	LOWER VOLTAGE LINE 1 TO 1 & 7 LINE 2 TO 2 & 8 LINE 3 TO 3 & 9 4 - 10 TOGETHER 5 - 11 TOGETHER 6 - 12 TOGETHER HIGHER VOLTAGE LINE 1 TO 1 LINE 2 TO 2 LINE 3 TO 3 4 - 7 TOGETHER 5 - 8 TOGETHER 6 - 9 TOGETHER TAPE LEADS 10, 11, & 12 INDIVIDUALLY

PERFORMANCE CURVE NO.	TORQUE @ RPM (25°C)	APPROVED SAMPLE	UL COMPONENT	CSA
-	OZ. FT.	-	FILE # CCN #	FILE # CLASS #
-	-	-	E46412 PRGY2	LR43341 4211-01

GEOMETRIC CHARACTERISTICS & SYMBOLS
 □ FLATNESS
 - STRAIGHTNESS
 < ANGLARITY
 ⊥ PERPENDICULARITY (SQUARENESS)
 // PARALLELISM
 ○ ROUNDNESS (CIRCULARITY)
 ∅ CYLINDRICITY
 △ PROFILE OF ANY SURFACE
 ∩ PROFILE OF ANY LINE
 ↑ RUNOUT
 ⊕ TRUE POSITION
 ⊙ CONCENTRICITY
 = SYMMETRY
 ASME Y14.5M 1994

REGAL-BELOIT CORPORATION (RBC) PROVIDES TECHNICAL ASSISTANCE TO OUR CUSTOMERS IN SEVERAL AREAS. SINCE RBC DOES NOT RECEIVE ALL DATA CONCERNING THE USE AND APPLICATION OF THE MOTOR, THE SUITABILITY OF THE MOTOR FOR THE APPLICATION MUST BE DETERMINED BY THE CUSTOMER.
 DIMENSIONS WITHOUT TOLERANCES ARE FOR REFERENCE ONLY.

DR BY: E.SINECIO 08-26-2011
 APPD: .
 THIRD ANGLE PROJECTION
 EDS DATE 11-11-2011
 FORMAT REV H
 CONFIDENTIAL: THIS DRAWING AND ITS INFORMATION ARE THE EXCLUSIVE AND CONFIDENTIAL PROPERTY OF REGAL-BELOIT CORPORATION AND ARE NOT TO BE DISCLOSED, DUPLICATED, DISTRIBUTED OR OTHERWISE USED WITHOUT THE WRITTEN CONSENT OF REGAL-BELOIT CORPORATION. -ALL RIGHTS RESERVED.



DESCRIPTION	
MODEL-CHFP-48FR OUTLINE	
SIZE C	DWG NO BK3054V1
SCALE NONE	SHEET 1

4

3

2

1

4

3

2

1

REVISION:	ECO	REVISADO POR:	FECHA:	APROBADO POR:	FECHA:
C	0025791	A.RODRIGUEZ	05-22-2012	D.MUÑOZ	05-22-2012

INFORMACION GENERAL:

OSCILACION DE FLECHA: .001[.03] T.I.R. PER INCH LENGTH OF EXTENSION

BALEROS: BALAS

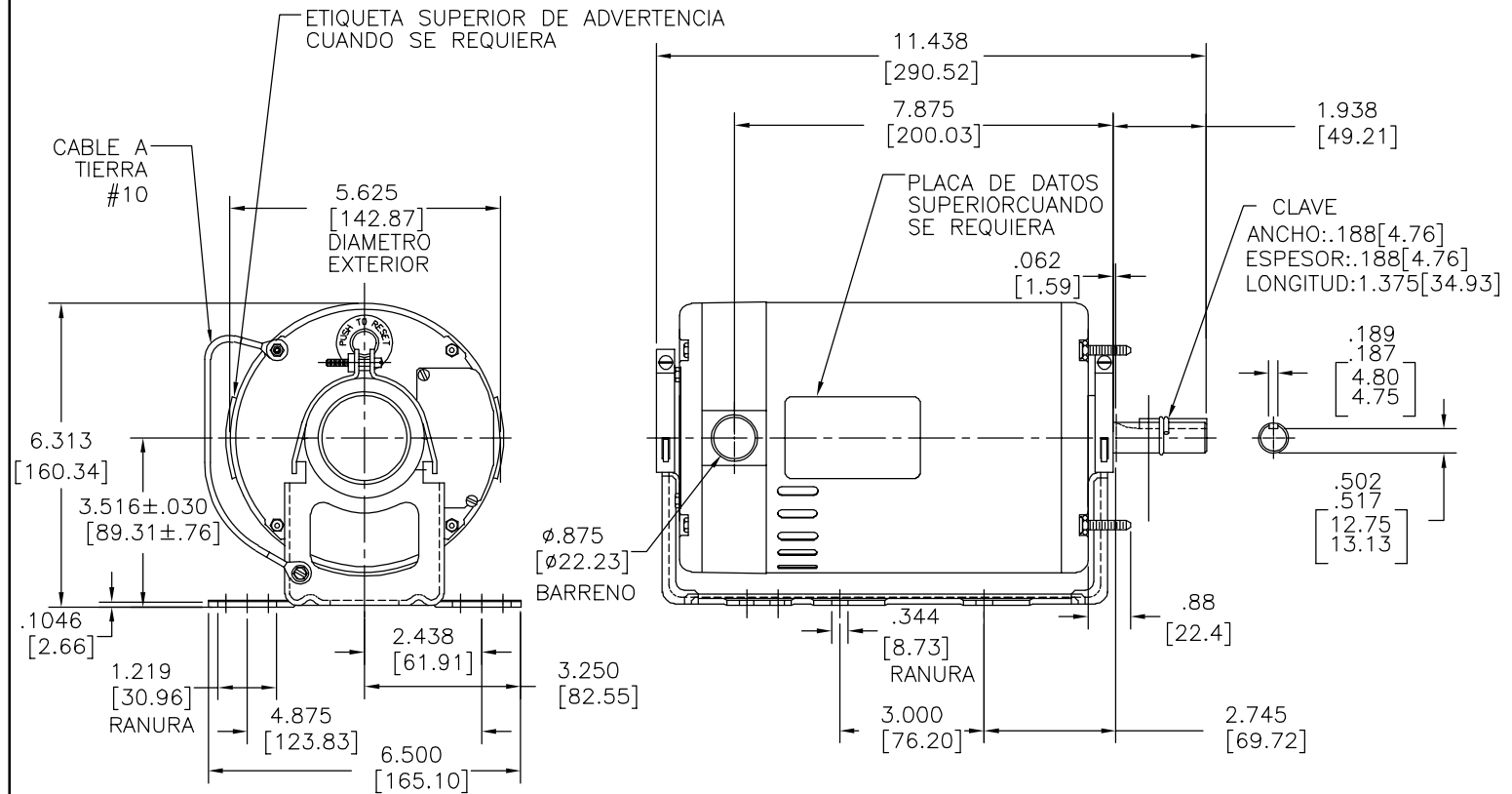
POSICION DEL MONTAJE: HORIZONTAL

INFORMACION ELECTRICA:

PROTECTOR DE SOBRECARGA: REINICIO AUTOMATICO(MWJ72JR)

CABLES: NO. 18 GA.,.03[.8] THK. XLP 125°C AISLAM.

CABLE DE TIERRA: NO. 10 GA.,.03[.8] THK.(VERDE) AISLAM.



RED(1)	6.5/8.5 [165/216]	.50 [12.7] LA PIEL
RED(2)	6.5/8.5 [165/216]	.50 [12.7] LA PIEL
RED(3)	6.5/8.5 [165/216]	.50 [12.7] LA PIEL
AMARILLO(4)	6.5/8.5 [165/216]	.50 [12.7] LA PIEL
AMARILLO(5)	6.5/8.5 [165/216]	.50 [12.7] LA PIEL
AMARILLO(6)	6.5/8.5 [165/216]	.50 [12.7] LA PIEL
AZUL(7)	6.5/8.5 [165/216]	.50 [12.7] LA PIEL
AZUL(8)	6.5/8.5 [165/216]	.50 [12.7] LA PIEL
AZUL(9)	6.5/8.5 [165/216]	.50 [12.7] LA PIEL
NEGRO	6.5/8.5 [165/216]	.50 [12.7] LA PIEL
ORANGE	6.5/8.5 [165/216]	.50 [12.7] LA PIEL
PURPLE	6.5/8.5 [165/216]	.50 [12.7] LA PIEL
COLOR	LONGITUD	TERMINAL O LONGITUD DE DESFORRE

NOTAS:

1. C. INDICA - INICIO DE CAPACITOR
P. INDICA - POLIFASE
S. INDICA - FASE DE RANURA
"U" ASIGNA RECONOCIMIENTO U.L.
2. EN TODOS LOS MODELOS DE POLIFASE LOS CABLES DEBEN AMPLIARSE 6.00[152.4] +1/-0 EN LA CAJA DE CONDUCTORES
3. ACABADO DE PINTURA SERA DE NEGRO-SATIN
4. LIMITES EN LA AMPLITUD DE VIBRACION MEDIDOS A LA CAVIDAD DEL BALERO = .001[.02]
5. FLECHA DE ACERO DE CARBON

CARCASA - LOC	CERRADO
TAPA - LOC	ABIERTO
CARCASA - LC	CERRADO
TAPA - LC	ABIERTO
TIPO DE MOTOR	

CLIENTE	-
---------	---

INFORMACION DE ETIQUETA:	DIAGRAMA DE CONEXION EXTRNA
MODEL NO.: P48A65A01 CUST. P/N: BK3054V1 HP: 0.5 ROT.: REV RPM: 1725 TYPE: P FRAME: 56Y VOLTS: 208-230/460 PH: 3 AMPS: 1.90/0.95 HZ: 60 INS.: B AMB.: 40° C DUTY: CONT CAP.: - ENCL: ODP UL LOGO CSA LOGO THERMALLY PROTECTED	LOWER VOLTAGE LINE 1 TO 1 & 7 LINE 2 TO 2 & 8 LINE 3 TO 3 & 9 4 - 10 TOGETHER 5 - 11 TOGETHER 6 - 12 TOGETHER HIGHER VOLTAGE LINE 1 TO 1 LINE 2 TO 2 LINE 3 TO 3 4 - 7 TOGETHER 5 - 8 TOGETHER 6 - 9 TOGETHER TAPE LEADS 10, 11, & 12 INDIVIDUALLY

CURVAS DE FUNCIONAMIENTO	TORSION @ RPM (25°C)	MUESTRA APROBADA	COMPONENTE UL	CSA
-	OZ. FT.	-	#ARCHIVO CCN # #ARCHIVO CLASE #	E46412 PRGY2 LR43341 4211-01

CARACTERISTICAS DE GEOMETRIA Y SIMBOLOS
 ✓ PLANICIDAD
 - RECTITUD
 < ANGULARIDAD
 ⊥ PERPENDICULARIDAD (A ESCUADRA)
 // PARALELISMO
 ○ REDONDEZ (CIRCULARIDAD)
 ∅ CILINDRICIDAD
 △ PERFIL DE CUALQUIER SUPERFICIE
 ∩ PERFIL DE CUALQUIER LINEA
 ∠ VARIACION
 ⊕ POSICION REAL
 ⊙ CONCENTRICIDAD
 = SIMETRIA
 ASME Y14.5M 1994

REGAL-BELOIT CORPORATION (RBC) PROVEE ASISTENCIA TECNICA A NUESTROS CLIENTES EN VARIAS AREAS. DESDE QUE RBC NO RECIBE TODOS LOS DATOS EN RELACION AL USO Y A LA APLICACION DEL MOTOR, LA APLICACION ADECUADA DEL MOTOR DEBE SER DETERMINADA POR EL CLIENTE.
 DIMENSIONES SIN TOLERANCIA SON DE REFERENCIA SOLAMENTE

DIBUJADO POR: E.SINECIO 08-26-2011
 APROBADO POR:
 TERCER ANGULO DE PROYECCION
 CONFIDENCIAL: ESTE DIBUJO Y SU INFORMACION SON PROPIEDAD DE USO EXCLUSIVO Y CONFIDENCIAL DE REGAL-BELOIT CORPORATION. Y NO DEBERAN SER REVELADOS, DUPLICADOS, DISTRIBUIDOS O USARSE DE OTRA MANERA SIN EL CONSENTIMIENTO ESCRITO DE REGAL-BELOIT CORPORATION. -TODOS LOS DERECHOS RESERVADOS.

REGAL REGAL-BELOIT CORPORATION

DESCRIPCION: MODEL-CHFP-48FR OUTLINE

TAMAÑO: C NUMERO DE DIBUJO: BK3054V1

ESCALA: NONE HOJA: 1

4

3

2

1

4

3

2

1

总技术要求:

轴跳动: .001[.03]/1.00[25.4]外伸轴

轴承: 球轴承

安装位置: 水平

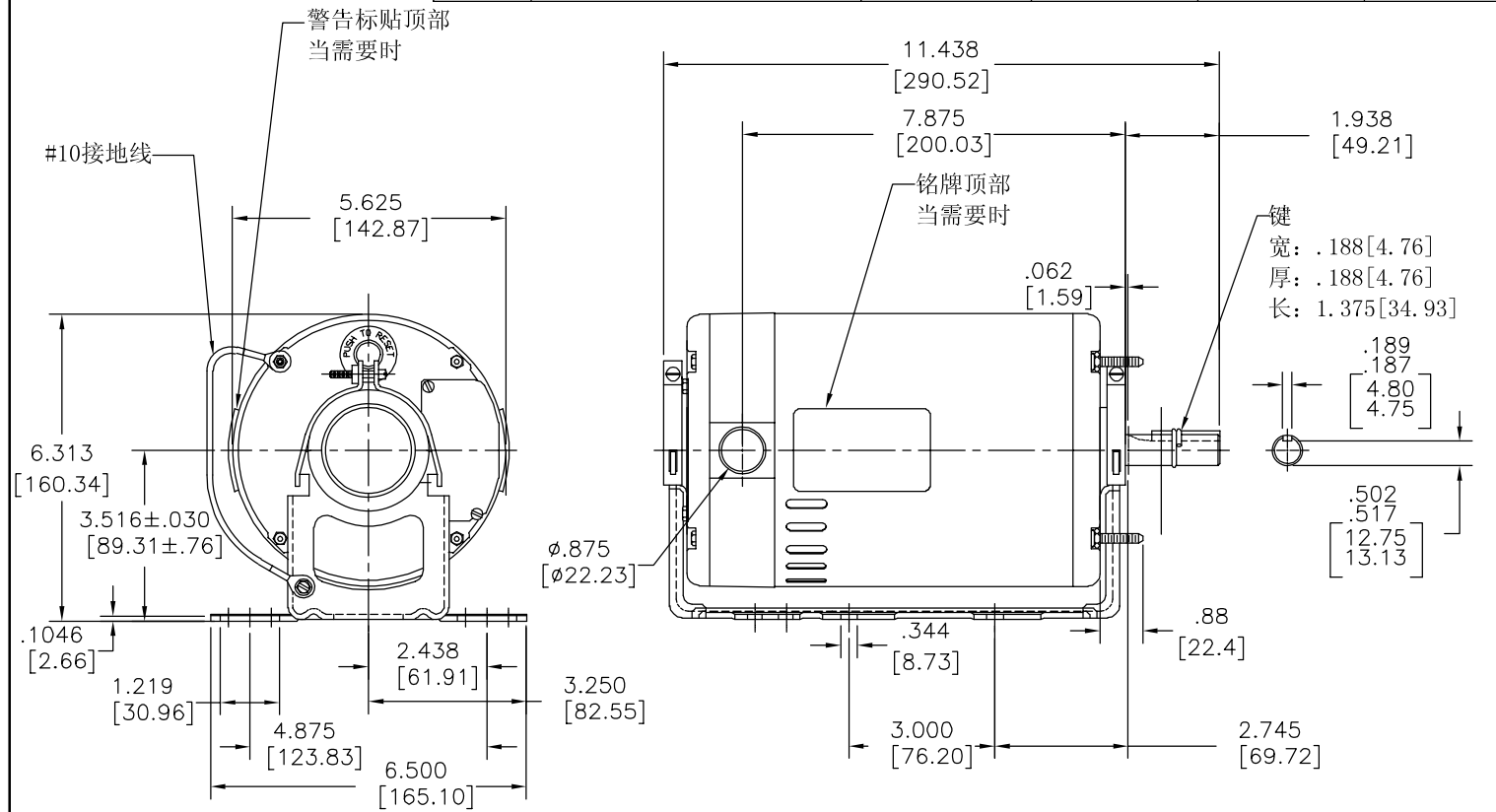
电气数据:

过载保护: 自动复位 (MWJ72JR)

引线: 18#(美制标准), 厚.03[.8] XLP 125° 绝缘

接地线: 10#(美制标准), 厚.03[.8] (绿色) 绝缘

版本	ECO	编制	日期	批准	日期
C	0025791	A.RODRIGUEZ	05-22-2012	D.MUÑOZ	05-22-2012



红色 (1)	6.5/8.5 [165/216]	.50[12.7]剥线
红色 (2)	6.5/8.5 [165/216]	.50[12.7]剥线
红色 (3)	6.5/8.5 [165/216]	.50[12.7]剥线
黄色 (4)	6.5/8.5 [165/216]	.50[12.7]剥线
黄色 (5)	6.5/8.5 [165/216]	.50[12.7]剥线
黄色 (6)	6.5/8.5 [165/216]	.50[12.7]剥线
蓝色 (7)	6.5/8.5 [165/216]	.50[12.7]剥线
蓝色 (8)	6.5/8.5 [165/216]	.50[12.7]剥线
蓝色 (9)	6.5/8.5 [165/216]	.50[12.7]剥线
黑色	6.5/8.5 [165/216]	.50[12.7]剥线
橙色	6.5/8.5 [165/216]	.50[12.7]剥线
紫色	6.5/8.5 [165/216]	.50[12.7]剥线
颜色	长度	端子或剥线长度

技术要求:

- C. 表示启动电容
P. 表示多相
S表示分相
"U"指定U.L. 认证
- 在所有多相电机引线延长
6.00[152.4]+1[25.4]/-0进入护线盒内
- 最后喷黑漆
- 在轴承室里限制震动.001[.02]
- 碳钢轴

无引线端机壳	封闭
无引线端端盖	开放
有引线端机壳	开放
有引线端端盖	封闭
密封性	

用户

-

铭牌数据	外部数据线
MODEL NO.: P48A65A01 CUST. P/N: BK3054V1 HP: 0.5 ROT.: REV RPM: 1725 TYPE: P FRAME: 56Y VOLTS: 208-230/460 PH: 3 AMPS: 1.90/0.95 HZ: 60 INS.: B AMB.: 40° C DUTY: CONT CAP.: - ENCL: ODP UL LOGO CSA LOGO THERMALLY PROTECTED	LOWER VOLTAGE LINE 1 TO 1 & 7 LINE 2 TO 2 & 8 LINE 3 TO 3 & 9 4 - 10 TOGETHER 5 - 11 TOGETHER 6 - 12 TOGETHER HIGHER VOLTAGE LINE 1 TO 1 LINE 2 TO 2 LINE 3 TO 3 4 - 7 TOGETHER 5 - 8 TOGETHER 6 - 9 TOGETHER TAPE LEADS 10, 11, & 12 INDIVIDUALLY

性能曲线编号	转矩在---RPM (25° C)	批准样品	UL部件		CSA	
			文件号	指南	文件号	指南
-	OZ. FT.	-	E46412	PRGY2	LR43341	4211-01

- 形位公差
- 平面度
- 直线度
- ∠ 倾斜度
- ⊥ 垂直度
- // 平行度
- 圆度
- ⊙ 圆柱度
- ⊖ 面轮廓度
- ⊕ 线轮廓度
- ↗ 圆跳动
- ⊕ 位置度
- ⊙ 同轴度
- ≡ 对称度

ASME Y14.5M 1994

REGAL-BELOIT CORPORATION (RBC) 在个别领域为客户提供技术支持。鉴于RBC未收到任何涉及电机使用和应用环境的数据, 电机的适用性由客户自己决定。

未注公差尺寸仅供参考。

绘图:	E.SINECIO	08-26-2011
批准:		
第三角投影		图纸格式发布日期 11-11-2011 图纸格式版本 H
机密: 本图纸及相关信息所有权归REGAL-BELOIT CORPORATION。未经REGAL-BELOIT CORPORATION书面授权, 不得泄露、复制、传播或作其他用途。—版权所有		

REGAL REGAL-BELOIT CORPORATION	
名称	MODEL-CHFP-48FR OUTLINE
图幅	C
图号	BK3054V1
比例	NONE
页号	1

4

3

2

1