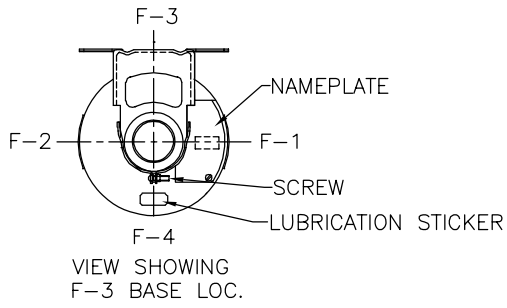
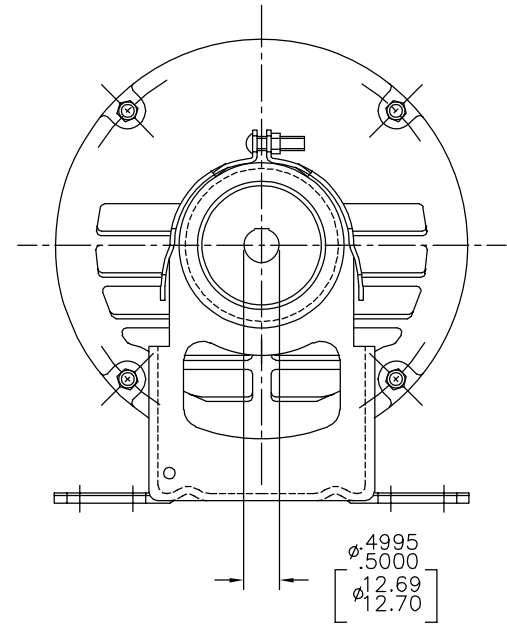
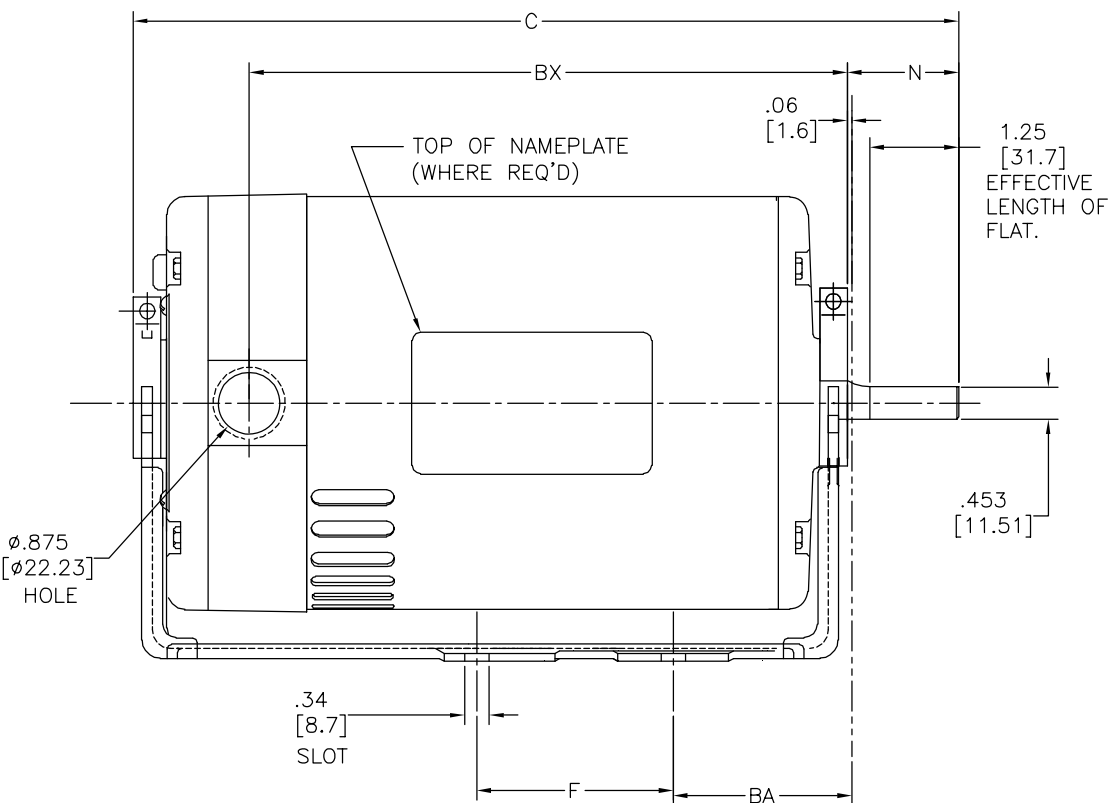
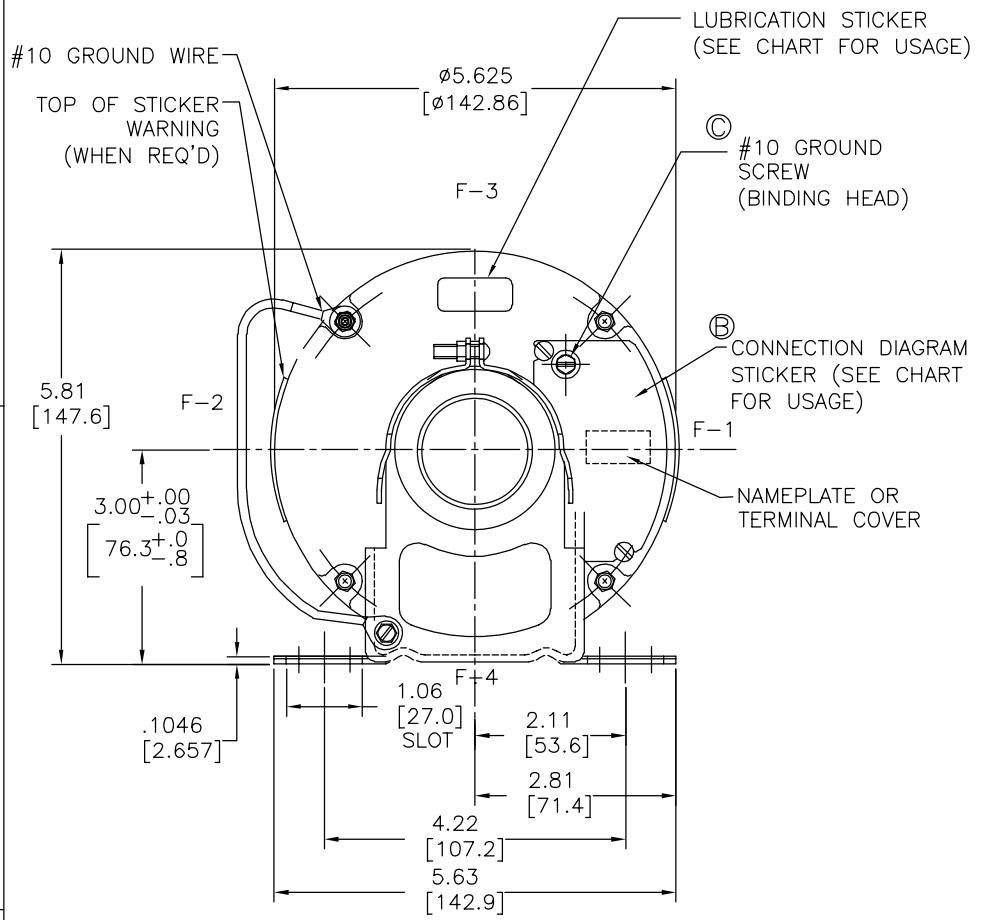


REV	ECO	REV BY	DATE	APPD	DATE
J	0025364	A.CHEN	04-16-2012	B.SHEN	04-16-2012



NOTES:  
 ON ALL POLYPHASE MODELS LEADS TO EXTEND 6± INTO CONDUIT BOX FINISH PAINT TO BE BLACK.  
 SATIN, UNLESS OTHERWISE SPECIFIED IN REMARKS COLUMN.  
 LIMITS ON AMPLITUDE OF VIBRATION MEASURED AT BEARING HOUSING= .001

MOTOR ASSY	MODEL	H.P	VOLTS	CYC.	PHASE	R.P.M.	ROT	BEARINGS OPP. PULLEY END	BEARINGS PULLEY END	THERMOSTAT	C	BA	F	BX	N	LUBRICATION STICKER	BASE LOC.	CHARACTERISTICS	CARRIER PART NO.	CONN DIAG. STICKER	REMARKS	NOTICE
608542-055	C48L2C11 A10H	1	115/208 230	60	10	3450	DUAL	SHIELDED BALL	SHIELDED BALL	AUTO RESET	11 9/16	2 1/2	2 3/4	8 3/8	1 9/16	USE	F-4	BLOWER	---	---	QUICK DISCONNECT TERM. ON TERMINAL BOARD-1/4 TABS U.L. APPROVED	18829
608542-25	C48L2C11 A5	1	115/208 230	60	10	3450	DUAL	SHIELDED BALL	SHIELDED BALL	AUTO RESET	11 9/16	2 3/4	3	8 3/8	1 9/16	OMIT	F-4	BLOWER	F-4	---	U.L. APPROVED	9974 ON 37574
608542-28	C48L2C1100 H	1	115/208 230	50	10	3450	DUAL	SHIELDED BALL	SHIELDED BALL	AUTO RESET	12 5/16	2 1/2	2 3/4	9 1/8	1 9/16	USE	F-4	BLOWER	HC52DL755	---	CLASS "B" INSULATION-QUICK DISCON. TERM. ON TERMINAL BOARD-1/4 TABS	10157
608542-17	C48L2C11 A1H	1	115/208 230	60	10	3450	DUAL	SHIELDED BALL	SHIELDED BALL	AUTO RESET	11 9/16	2 1/2	2 3/4	8 3/8	1 9/16	USE	F-4	BLOWER	HC52DL753	---	QUICK DISCONNECT TERM. ON TERMINAL BOARD-1/4 TABS U.L. APPROVED	9220
608542-16	C48K2C11 AH	3/4	115/208 230	60	10	3450	DUAL	SHIELDED BALL	SHIELDED BALL	AUTO RESET	11 1/16	2 1/2	2 3/4	7 7/8	1 9/16	OMIT	F-4	BLOWER	HC46DL751	---	QUICK DISCONNECT TERM. ON TERMINAL BOARD-1/4 TABS U.L. APPROVED	9220
608542-14	C48H2C11 A3H	1/3	115/208 230	60	10	3450	DUAL	SHIELDED BALL	SHIELDED BALL	AUTO RESET	10 3/16	2 1/2	2 3/4	7	1 9/16	OMIT	F-4	BLOWER	HC41KE651	---	QUICK DISCONNECT TERM. ON TERMINAL BOARD-1/4 TABS U.L. APPROVED	9220
611025-1	P48L2C4B2	1	575	60	30	3450	DUAL	SHIELDED BALL	SHIELDED BALL	AUTO RESET	11 9/16	2 1/2	2 3/4	8 3/8	1 9/16	OMIT	F-4	NEMA	HD52DL855	USE	U.L. APPROVED	9220
608558-11	P48L2C4B1	1	208/230 460	60	30	3450	DUAL	SHIELDED BALL	SHIELDED BALL	AUTO RESET	11 9/16	2 1/2	2 3/4	8 3/8	1 9/16	OMIT	F-4	NEMA	HD52DL853	USE	U.L. APPROVED	9220

GEOMETRIC CHARACTERISTICS & SYMBOLS  
 □ FLATNESS  
 — STRAIGHTNESS  
 ∠ ANGULARITY  
 ⊥ PERPENDICULARITY (SQUARENESS)  
 // PARALLELISM  
 ○ ROUNDNESS (CIRCULARITY)  
 ⊘ CYLINDRICITY  
 ≡ PROFILE OF ANY SURFACE  
 ≡ PROFILE OF ANY LINE  
 ↗ RUNOUT  
 ⊕ TRUE POSITION  
 ⊙ CONCENTRICITY  
 = SYMMETRY

UNLESS OTHERWISE SPECIFIED DIM. TOLERANCES ARE AS FOLLOWS:  
 INCH ±.01 ±.02 ±.005 ±.0005  
 mm ±0.5 ±0.13 ±0.013  
 ANG. ±.50 DEG  
 REMOVE BURRS & BREAK SHARP EDGES:  
 INCH .003-.015  
 CORNER FILLETS TO:  
 INCH .020 mm 0.5  
 MACHINE SURFACES:  
 INCH 125 mm 3.2

DR BY: R.LEWIS 09-28-1966  
 APPD: HAS 09-30-1966  
 EDS DATE 11-11-2011  
 FORMAT REV G

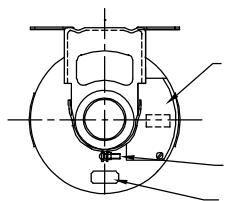
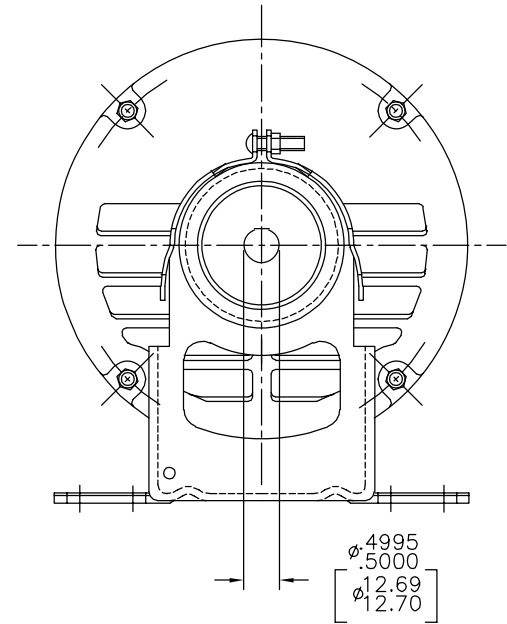
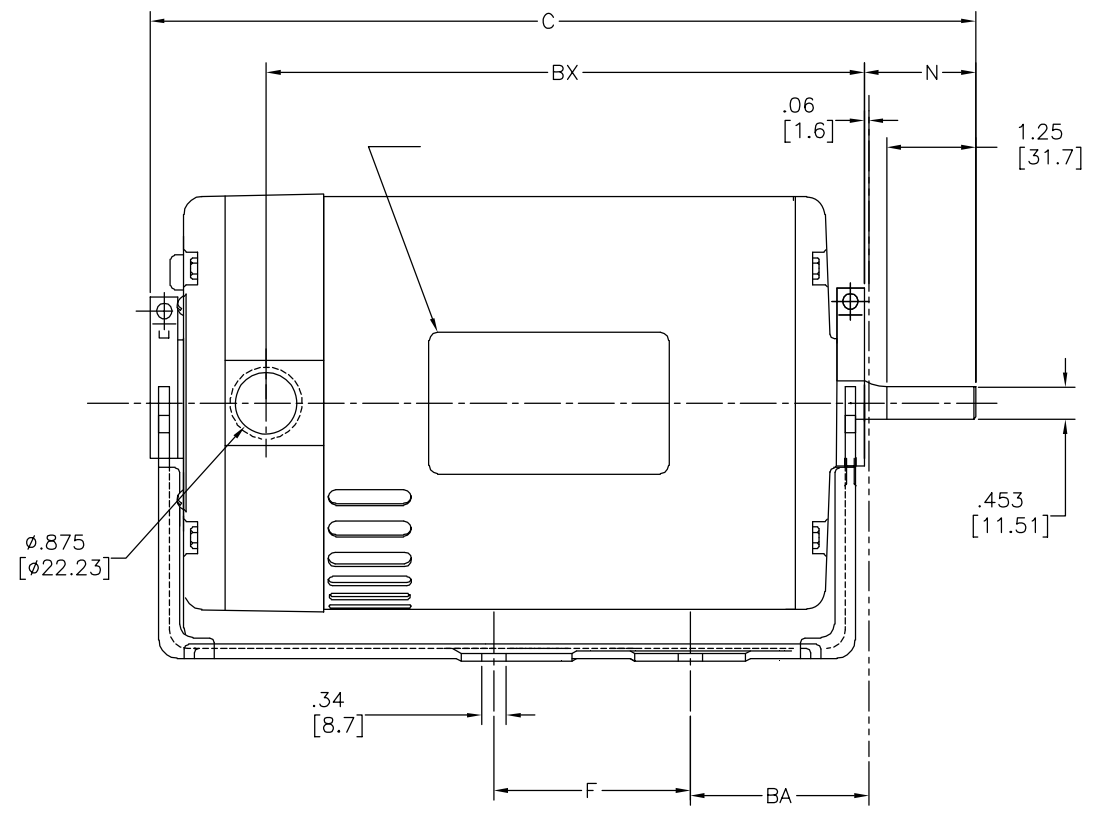
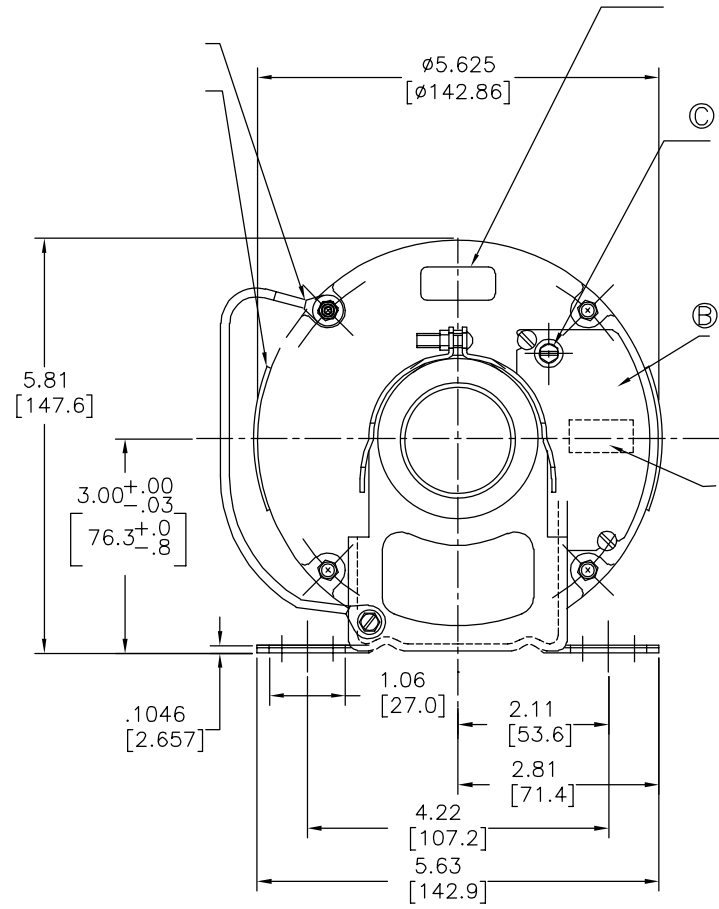
THIRD ANGLE PROJECTION

REGAL-BELOIT CORPORATION

DESCRIPTION: OUTLINE  
 SIZE: D DWG NO: 10772-001  
 SCALE: NONE SHEET: 1

CONFIDENTIAL: THIS DRAWING AND ITS INFORMATION ARE THE EXCLUSIVE AND CONFIDENTIAL PROPERTY OF REGAL-BELOIT CORPORATION AND ARE NOT TO BE DISCLOSED, DUPLICATED, DISTRIBUTED OR OTHERWISE USED WITHOUT THE WRITTEN CONSENT OF REGAL-BELOIT CORPORATION. -ALL RIGHTS RESERVED.

REVISION: J	ECO	0025364	REVISADO POR: A.CHEN	FECHA: 04-16-2012	APROBADO POR: B.SHEN	FECHA: 04-16-2012
-------------	-----	---------	----------------------	-------------------	----------------------	-------------------



MOTOR ASSY	MODEL	H.P	VOLTS	CYC.	R.P.M.	C	BA	F	BX	N		
608542-055	C48L2C11 A10H	1	115/208	230	60	10	3450	11	2	2	8	1
608542-25	C48L2C11 A5	1	115/208	230	60	10	3450	9/16	1/2	3/4	3/8	9/16
608542-26	C48L2C100 H	1	115/208	230	50	10	3450	11	2	2	8	1
608542-17	C48L2C11 A1H	1	115/208	230	60	10	3450	5/16	1/2	3/4	1/8	9/16
608542-16	C48K2C11 AH	3/4	115/208	230	60	10	3450	9/16	1/2	3/4	3/8	9/16
608542-14	C48H2C11 AH	1/3	115/208	230	60	10	3450	11	2	2	7	1
611025-1	P48L2C4B2	1	575	60	30	3450	3/16	1/2	3/4	7	9/16	
608558-11	P48L2C4B1	1	208/230	460	60	30	3450	11	2	2	8	1

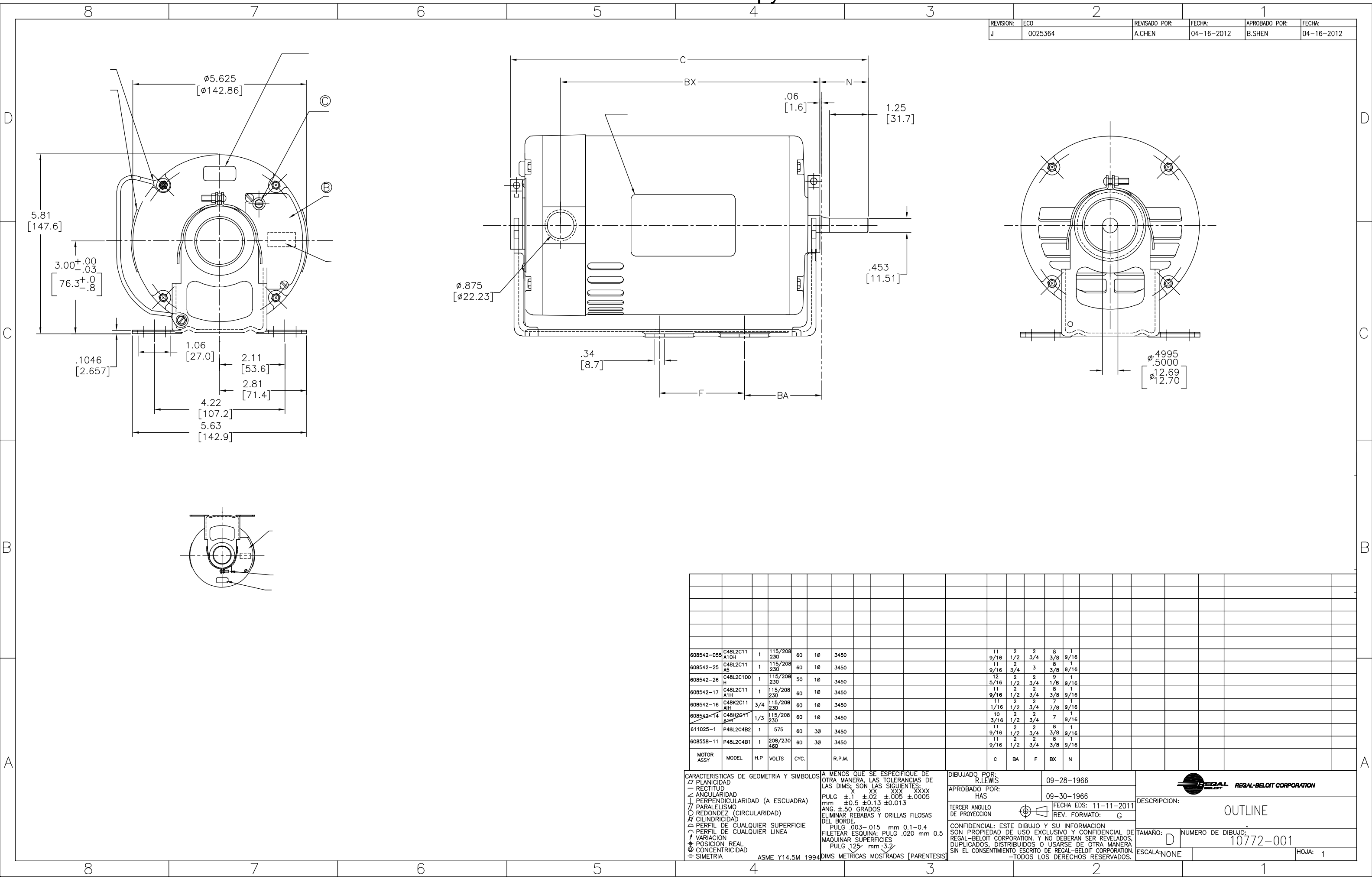
**CARACTERISTICAS DE GEOMETRIA Y SIMBOLOS:**  
 □ PLANICIDAD  
 ⊥ RECTITUD  
 ∠ ANGULARIDAD  
 ⊥ PERPENDICULARIDAD (A ESCUADRA)  
 // PARALELISMO  
 R REDONDEZ (CIRCULARIDAD)  
 H CILINDRICIDAD  
 ∩ PERFIL DE CUALQUIER SUPERFICIE  
 ∩ PERFIL DE CUALQUIER LINEA  
 ∩ VARIACION  
 ⊕ POSICION REAL  
 ⊙ CONCENTRICIDAD  
 = SIMETRIA

**A MENOS QUE SE ESPECIFIQUE DE OTRA MANERA, LAS TOLERANCIAS DE LAS DIMS; SON LAS SIGUIENTES:**  
 PULG ±.1 ±.02 ±.005 ±.0005  
 mm ±0.5 ±0.13 ±0.013  
 ANG. ±50 GRADOS  
 ELIMINAR REBABAS Y ORILLAS FILOSAS DEL BORDE.  
 FILETEAR ESQUINA: PULG .003-.015 mm 0.1-0.4  
 MAQUINAR SUPERFICIES PULG 125 mm 3.2

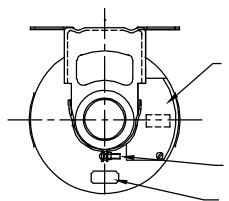
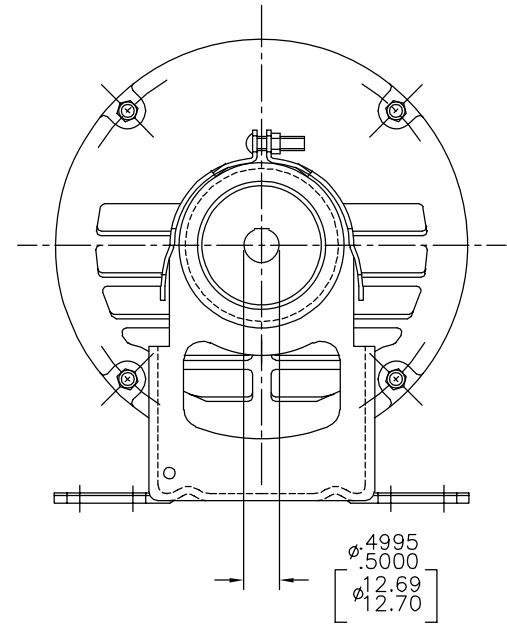
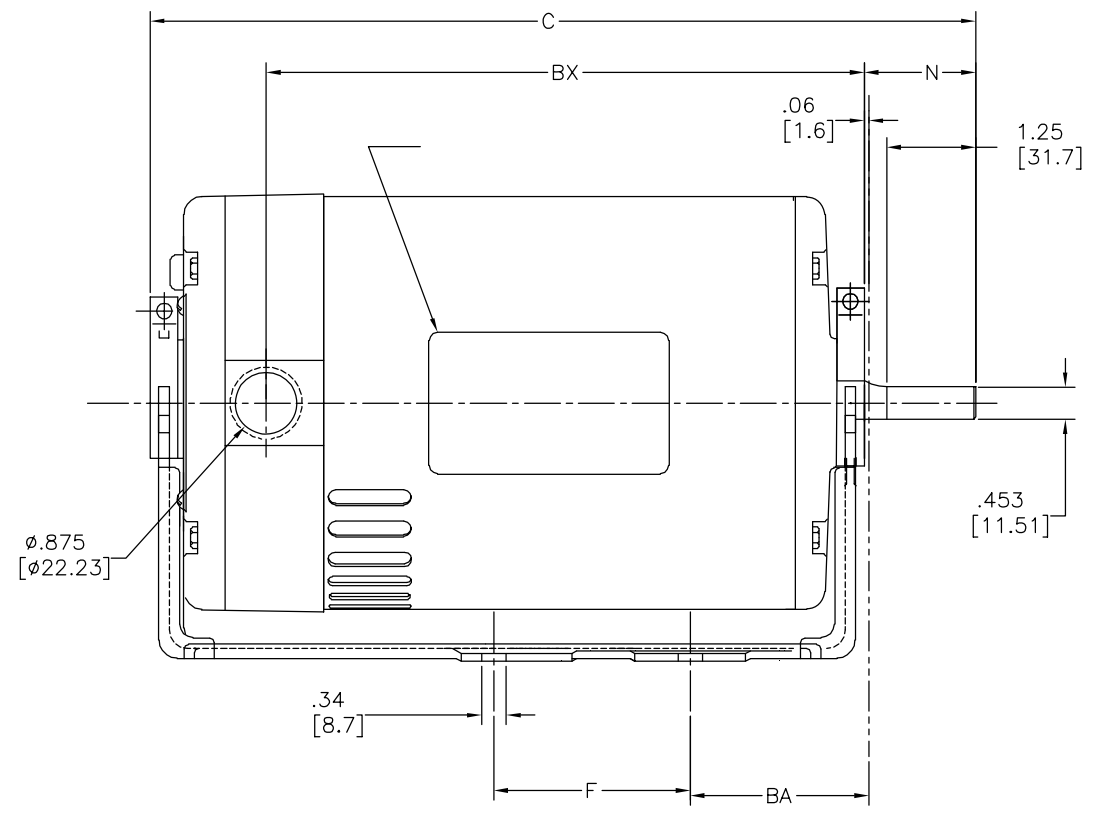
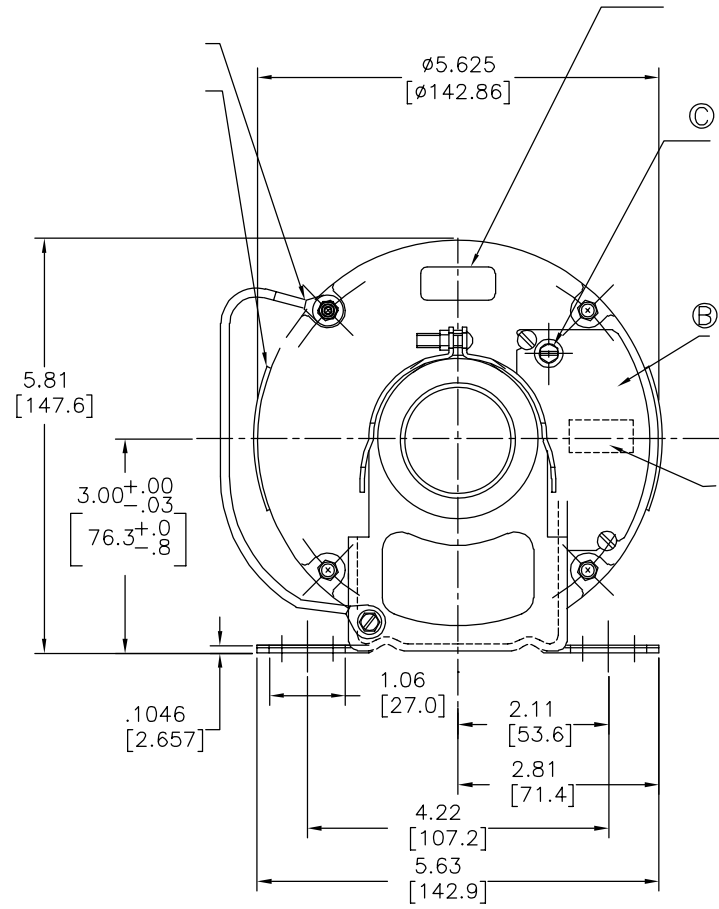
**DIBUJADO POR:** R.LEWIS  
**APROBADO POR:** HAS  
**FECHA:** 09-28-1966  
**FECHA EDS:** 11-11-2011  
**REV. FORMATO:** G

**DESCRIPCION:** OUTLINE  
**TAMANO:** D **NUMERO DE DIBUJO:** 10772-001  
**ESCALA:** NONE **HOJA:** 1

**REGAL-BELOIT CORPORATION**  
 CONFIDENCIAL: ESTE DIBUJO Y SU INFORMACION SON PROPIEDAD DE USO EXCLUSIVO Y CONFIDENCIAL DE REGAL-BELOIT CORPORATION. Y NO DEBERAN SER REVELADOS, DUPLICADOS, DISTRIBUIDOS O USARSE DE OTRA MANERA SIN EL CONSENTIMIENTO ESCRITO DE REGAL-BELOIT CORPORATION. -TODOS LOS DERECHOS RESERVADOS.



版本	ECO	编制	日期	批准	日期
J	0025364	A.CHEN	04-16-2012	B.SHEN	04-16-2012



MOTOR ASSY	MODEL	H.P	VOLTS	CYC.	R.P.M.	C	BA	F	BX	N
608542-055	C48L2C11 A10H	1	115/208 230	60	10	3450	11/9/16	2/1/2	2/3/4	8/3/8 1/9/16
608542-25	C48L2C11 A5	1	115/208 230	60	10	3450	11/9/16	2/3/4	3/8	1/8 1/9/16
608542-26	C48L2C100 H	1	115/208 230	50	10	3450	12/5/16	2/1/2	2/3/4	9/1/8 1/9/16
608542-17	C48L2C11 A1H	1	115/208 230	60	10	3450	11/9/16	2/1/2	2/3/4	8/3/8 1/9/16
608542-16	C48K2C11 AH	3/4	115/208 230	60	10	3450	11/1/16	2/1/2	2/3/4	7/8 1/9/16
608542-14	C48H2C11 A1H	1/3	115/208 230	60	10	3450	10/3/16	2/1/2	2/3/4	7/8 1/9/16
611025-1	P48L2C4B2	1	575	60	30	3450	11/9/16	2/1/2	2/3/4	8/3/8 1/9/16
608558-11	P48L2C4B1	1	208/230 460	60	30	3450	11/9/16	2/1/2	2/3/4	8/3/8 1/9/16

形位公差  
 □ 平面度  
 — 直线度  
 ∠ 倾斜度  
 ⊥ 垂直度  
 // 平行度  
 ○ 圆度  
 ⊙ 圆柱度  
 面轮廓度  
 线轮廓度  
 圆跳动  
 位置度  
 同轴度  
 = 对称度

除另有注明  
 尺寸公差如下:  
 英寸 X ±.02 ±.005 ±.0005  
 毫米 ±0.5 ±0.13 ±0.013  
 清理毛刺和尖棱  
 英寸 .003-.015 毫米 0.1-0.4  
 内圆角  
 英寸 .020 毫米 0.5  
 表面粗糙度  
 英制 125 米制 3.2

ASME Y14.5M 1994 米制尺寸显示在 [ ]

绘图: R.LEWIS 09-28-1966  
 批准: HAS 09-30-1966  
 第三角投影

名称: OUTLINE  
 图号: 10772-001  
 比例: NONE 页号: 1

机密: 本图纸及相关信息所有权归REGAL-BELOIT CORPORATION  
 未经REGAL-BELOIT CORPORATION书面授权, 不得泄露、  
 复制、传播或作其他用途。—版权所有