

REV	ECO	REV BY	DATE	APPD	DATE
AB	0025364	A.CHEN	04-16-2012	B.SHEN	04-16-2012

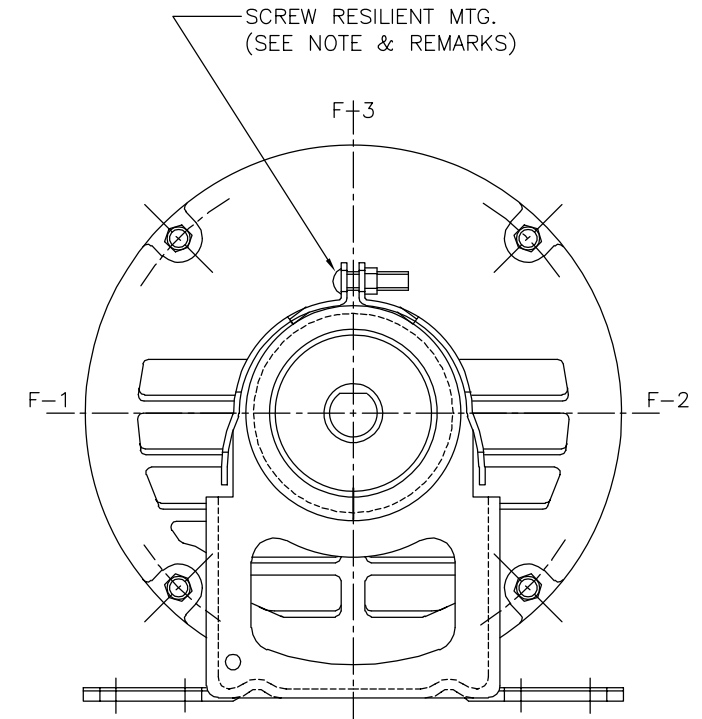
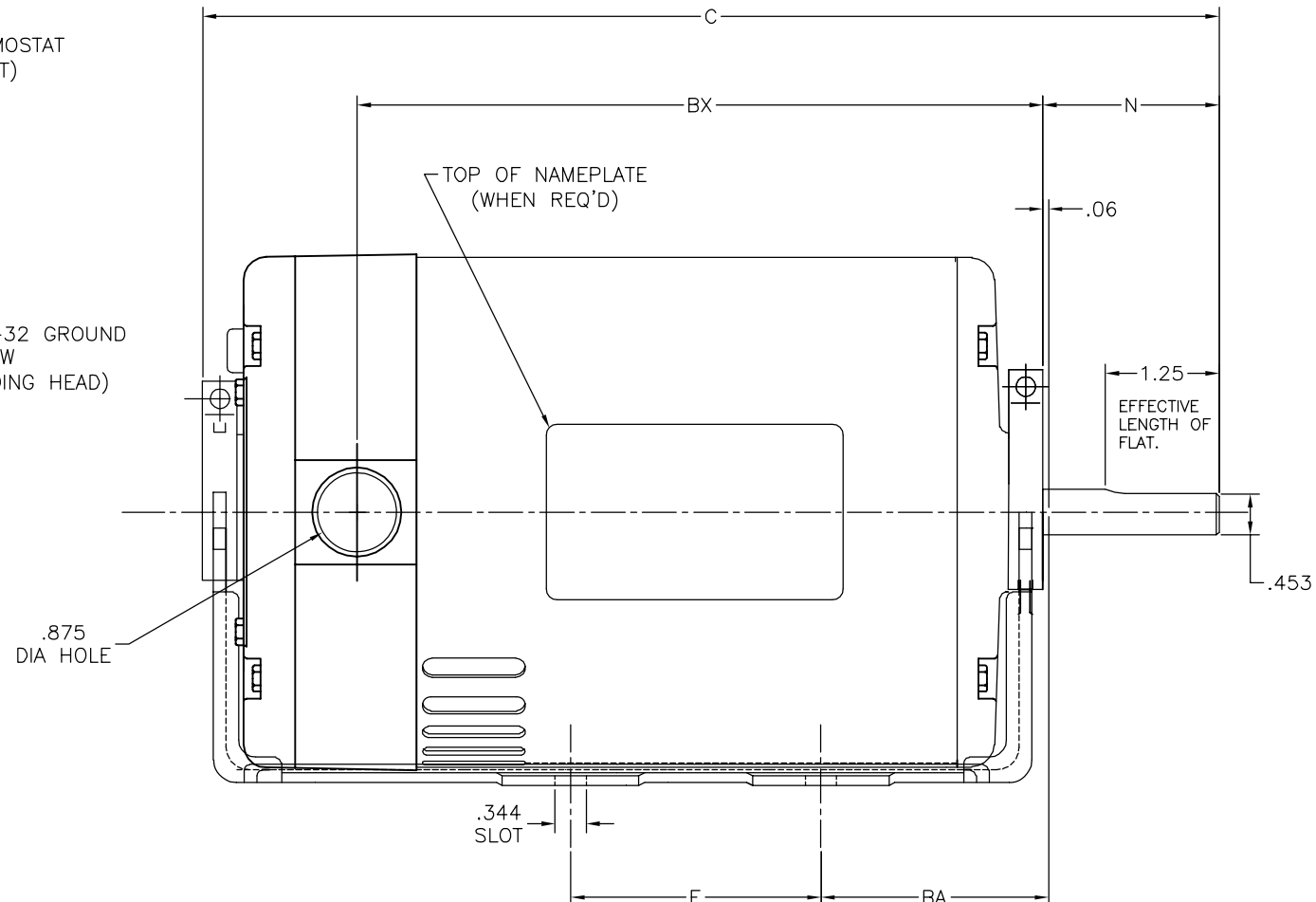
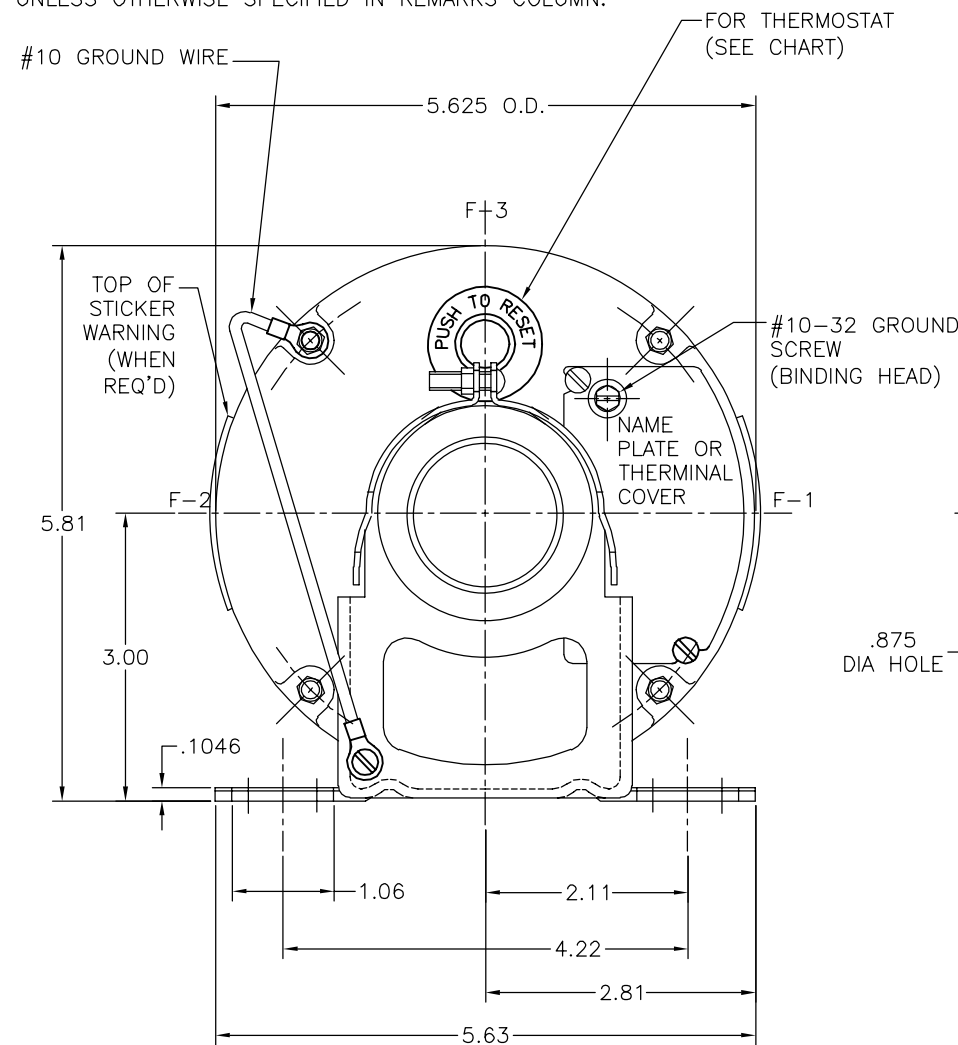
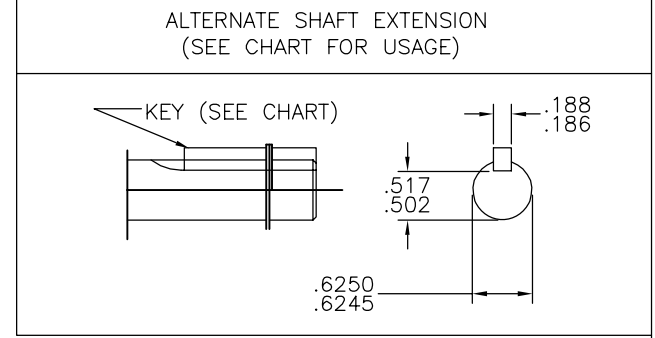
NOTES:  
ON ALL POLYPHASE MODELS LEADS TO EXTEND 6"±0 INTO CONDUIT BOX.

FINISH PAINT TO BE BLACK LACQUER UNLESS OTHERWISE SPECIFIED IN REMARKS COLUMN.

LIMITS ON AMPLITUDE OF VIBRATION MEASURED AT BEARING HOUSING = .001

CARBON STEEL SHAFT UNLESS OTHERWISE SPECIFIED IN REMARKS COLUMN.

RESILIENT MTG. SCREWS ASSEMBLED AS SHOWN UNLESS OTHERWISE SPECIFIED IN REMARKS COLUMN.



608542-042	.75	115/208-230	60	3450	1φ	DUAL	SHIELDED BALL	48Z	AUTO-RESET	11.06	2.50	7.13	2.75	1.56	OMIT	--	--	--	U.C.	BLOWER	QUICK DISCONNECT TERMINAL FOR LINE LEADS - U.L. APPROVED	11735
608542-041	.50	115/208-230	60	3450	1φ	DUAL	SHIELDED BALL	48Z	AUTO-RESET	10.56	2.50	7.37	2.75	1.56	OMIT	--	--	--	U.C.	BLOWER	QUICK DISCONNECT TERMINAL ON TERM. BOARD-1/4 TABS - U.L. APPROVED	11653
MOTOR ASSEMBLY	H.P.	VOLTS	CY.	R.P.M.	PHASE	ROT P.E.	BEARINGS	FRAME	THERMOSTAT	C	BA	BX	F	N	ALTER. SHAFT EXT.	WIDTH	THICK	LENGTH	TYPE	CHARACTERISTICS	REMARKS	NOTICE NO.

GEOMETRIC CHARACTERISTICS & SYMBOLS  
 □ FLATNESS  
 - STRAIGHTNESS  
 ∠ ANGULARITY  
 ⊥ PERPENDICULARITY (SQUARENESS)  
 // PARALLELISM  
 ○ ROUNDNESS (CIRCULARITY)  
 Ⓞ CYLINDRICITY  
 ≡ PROFILE OF ANY SURFACE  
 ⤴ PROFILE OF ANY LINE  
 ⤵ RUNOUT  
 ⊕ TRUE POSITION  
 ⊙ CONCENTRICITY  
 = SYMMETRY

UNLESS OTHERWISE SPECIFIED DIM. TOLERANCES ARE AS FOLLOWS:  
 INCH ± .1 ± .02 ± .005 ± .0005  
 mm ± 0.5 ± 0.13 ± 0.013  
 ANG. ± 50 DEG  
 REMOVE BURRS & BREAK SHARP EDGES:  
 INCH .003-.015 mm 0.1-0.4  
 CORNER FILLETS TO:  
 INCH .020 mm 0.5  
 MACHINE SURFACES:  
 INCH 125 mm 3.2

DR BY: RE  
 APPD:  
 EDS DATE 11-11-2011  
 FORMAT REV G

THIRD ANGLE PROJECTION

CONFIDENTIAL: THIS DRAWING AND ITS INFORMATION ARE THE EXCLUSIVE AND CONFIDENTIAL PROPERTY OF REGAL-BELOIT CORPORATION AND ARE NOT TO BE DISCLOSED, DUPLICATED, DISTRIBUTED OR OTHERWISE USED WITHOUT THE WRITTEN CONSENT OF REGAL-BELOIT CORPORATION. -ALL RIGHTS RESERVED.

REGAL-BELOIT CORPORATION  
 DESCRIPTION: OUTLINE  
 SIZE D DWG NO 10698-005  
 SCALE NONE SHEET 1

REVISION: ECO	REVISADO POR: A.CHEN	FECHA: 04-16-2012	APROBADO POR: B.SHEN	FECHA: 04-16-2012
AB	0025364			

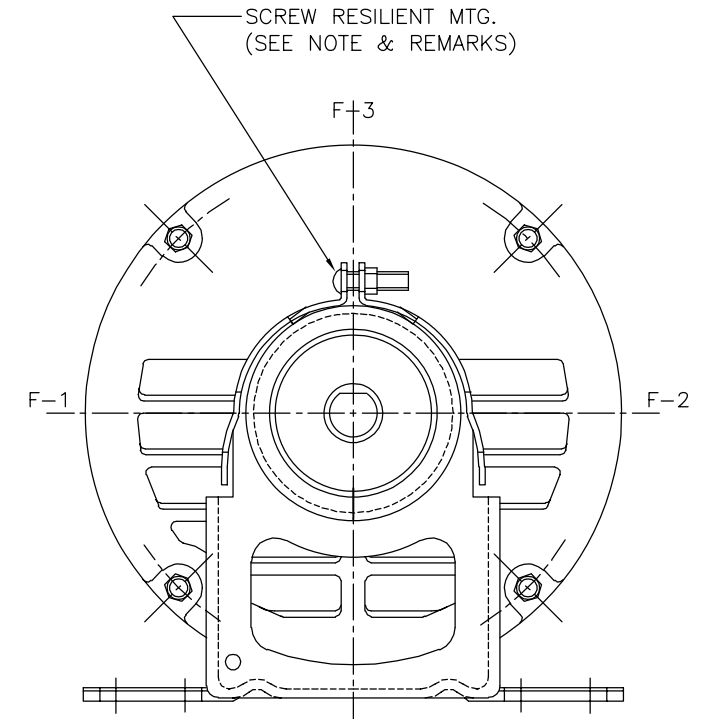
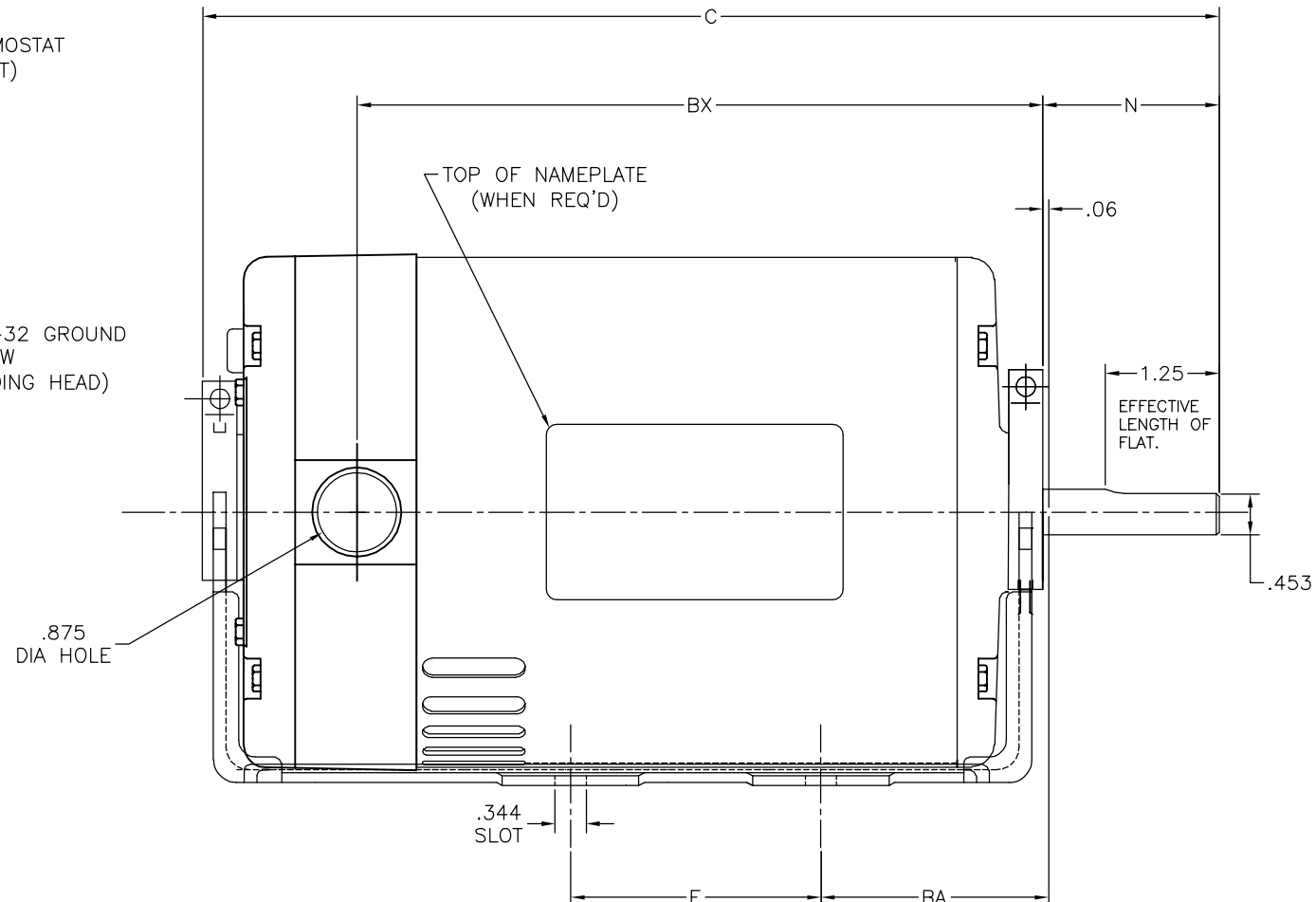
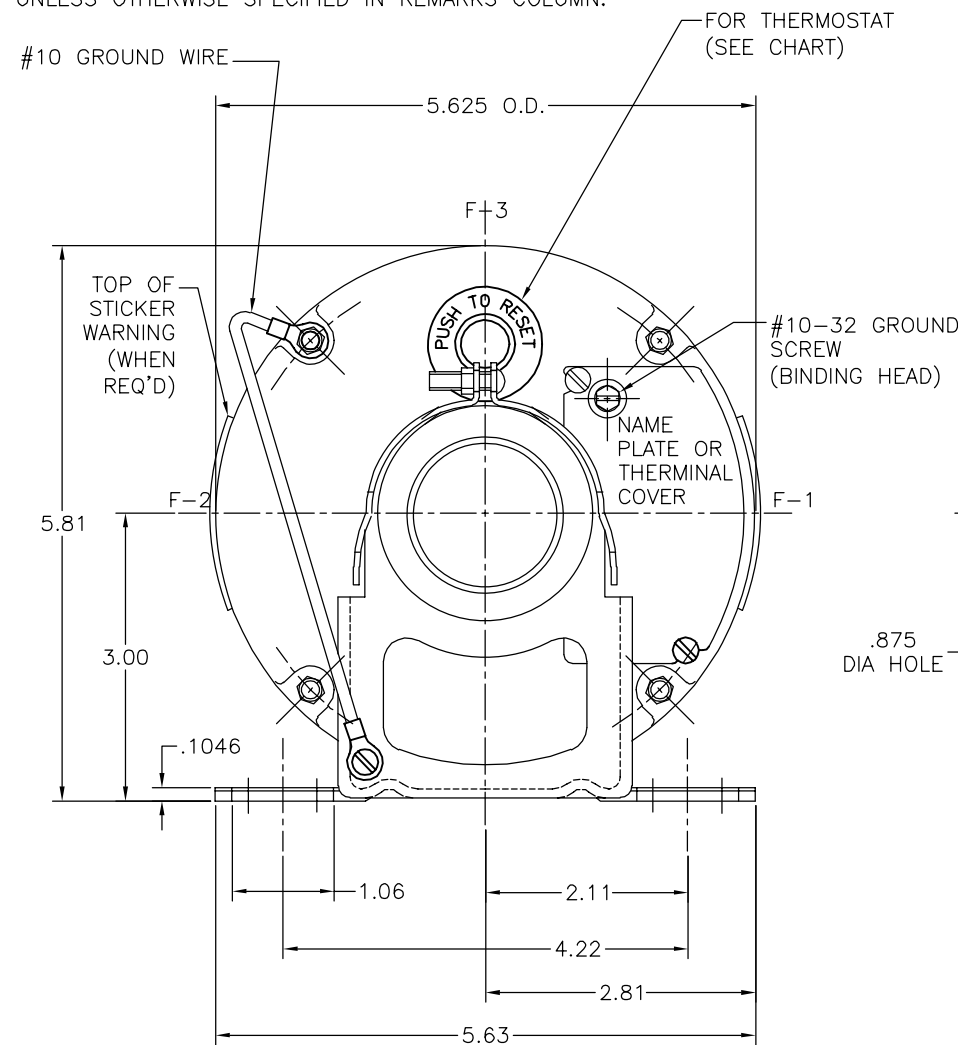
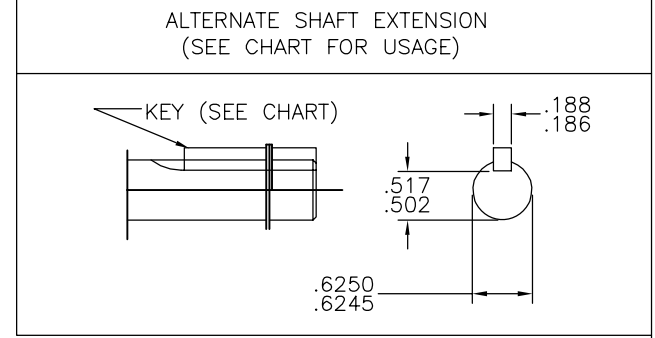
NOTES:  
ON ALL POLYPHASE MODELS LEADS TO EXTEND 6"±0 INTO CONDUIT BOX.

FINISH PAINT TO BE BLACK LACQUER UNLESS OTHERWISE SPECIFIED IN REMARKS COLUMN.

LIMITS ON AMPLITUDE OF VIBRATION MEASURED AT BEARING HOUSING = .001

CARBON STEEL SHAFT UNLESS OTHERWISE SPECIFIED IN REMARKS COLUMN.

RESILIENT MTG. SCREWS ASSEMBLED AS SHOWN UNLESS OTHERWISE SPECIFIED IN REMARKS COLUMN.



608542-042	.75	115/208-230	60	3450	1φ	DUAL	SHIELDED BALL	48Z	AUTO-RESET	11.06	2.50	7.13	2.75	1.56	OMIT	--	--	--	U.C.	BLOWER	QUICK DISCONNECT TERMINAL FOR LINE LEADS - U.L. APPROVED	11735
608542-041	.50	115/208-230	60	3450	1φ	DUAL	SHIELDED BALL	48Z	AUTO-RESET	10.56	2.50	7.37	2.75	1.56	OMIT	--	--	--	U.C.	BLOWER	QUICK DISCONNECT TERMINAL ON TERM. BOARD-1/4 TABS - U.L. APPROVED	11653
MOTOR ASSEMBLY	H.P.	VOLTS	CY.	R.P.M.	PHASE	ROT P.E.	BEARINGS	FRAME	THERMOSTAT	C	BA	BX	F	N	ALTER. SHAFT EXT.	WIDTH	THICK	LENGTH	TYPE	CHARACTERISTICS	REMARKS	NOTICE NO.

CARACTERISTICAS DE GEOMETRIA Y SIMBOLOS:  
 □ PLANICIDAD  
 - RECTITUD  
 / ANGULARIDAD  
 ⊥ PERPENDICULARIDAD (A ESCUADRA)  
 // PARALELISMO  
 ○ REDONDEZ (CIRCULARIDAD)  
 ⊕ CILINDRICIDAD  
 ⊖ PERFIL DE CUALQUIER SUPERFICIE  
 ^ PERFIL DE CUALQUIER LINEA  
 † VARIACION  
 ⊙ POSICION REAL  
 ⊕ CONCENTRICIDAD  
 = SIMETRIA

ASME Y14.5M 1994

A MENOS QUE SE ESPECIFIQUE DE OTRA MANERA, LAS TOLERANCIAS DE LAS DIMS; SON LAS SIGUIENTES:  
 PULG ±.1 ±.02 ±.005 ±.0005  
 mm ±0.5 ±0.13 ±0.013  
 ANG. ±50 GRADOS  
 ELIMINAR REBABAS Y ORILLAS FILOSAS DEL BORDE.  
 FILETEAR ESQUINA: PULG .020 mm 0.5  
 MAQUINAR SUPERFICIES  
 PULG 125 mm 3.2

DIMS METRICAS MOSTRADAS [PARENTESIS]

DIBUJADO POR: RE  
 APROBADO POR:  
 TERCER ANGULO DE PROYECCION  
 FECHA EDS: 11-11-2011  
 REV. FORMATO: G

CONFIDENCIAL: ESTE DIBUJO Y SU INFORMACION SON PROPIEDAD DE USO EXCLUSIVO Y CONFIDENCIAL DE REGAL-BELOIT CORPORATION, Y NO DEBERAN SER REVELADOS, DUPLICADOS, DISTRIBUIDOS O USARSE DE OTRA MANERA SIN EL CONSENTIMIENTO ESCRITO DE REGAL-BELOIT CORPORATION. -TODOS LOS DERECHOS RESERVADOS.

REGAL-BELOIT CORPORATION

DESCRIPCION: OUTLINE

TAMAÑO: D NUMERO DE DIBUJO: 10698-005

ESCALA: NONE HOJA: 1

版本	ECO	编制	日期	批准	日期
AB	0025364	A.CHEN	04-16-2012	B.SHEN	04-16-2012

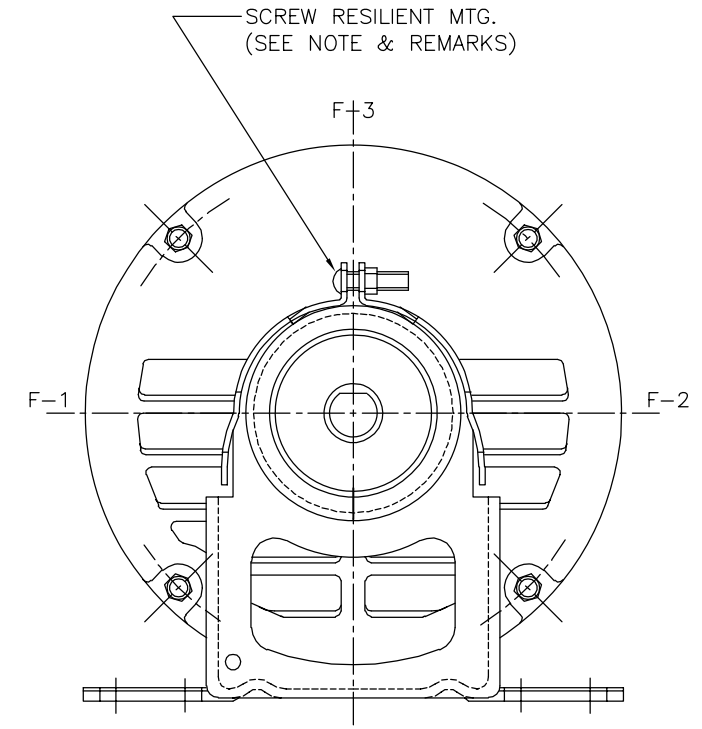
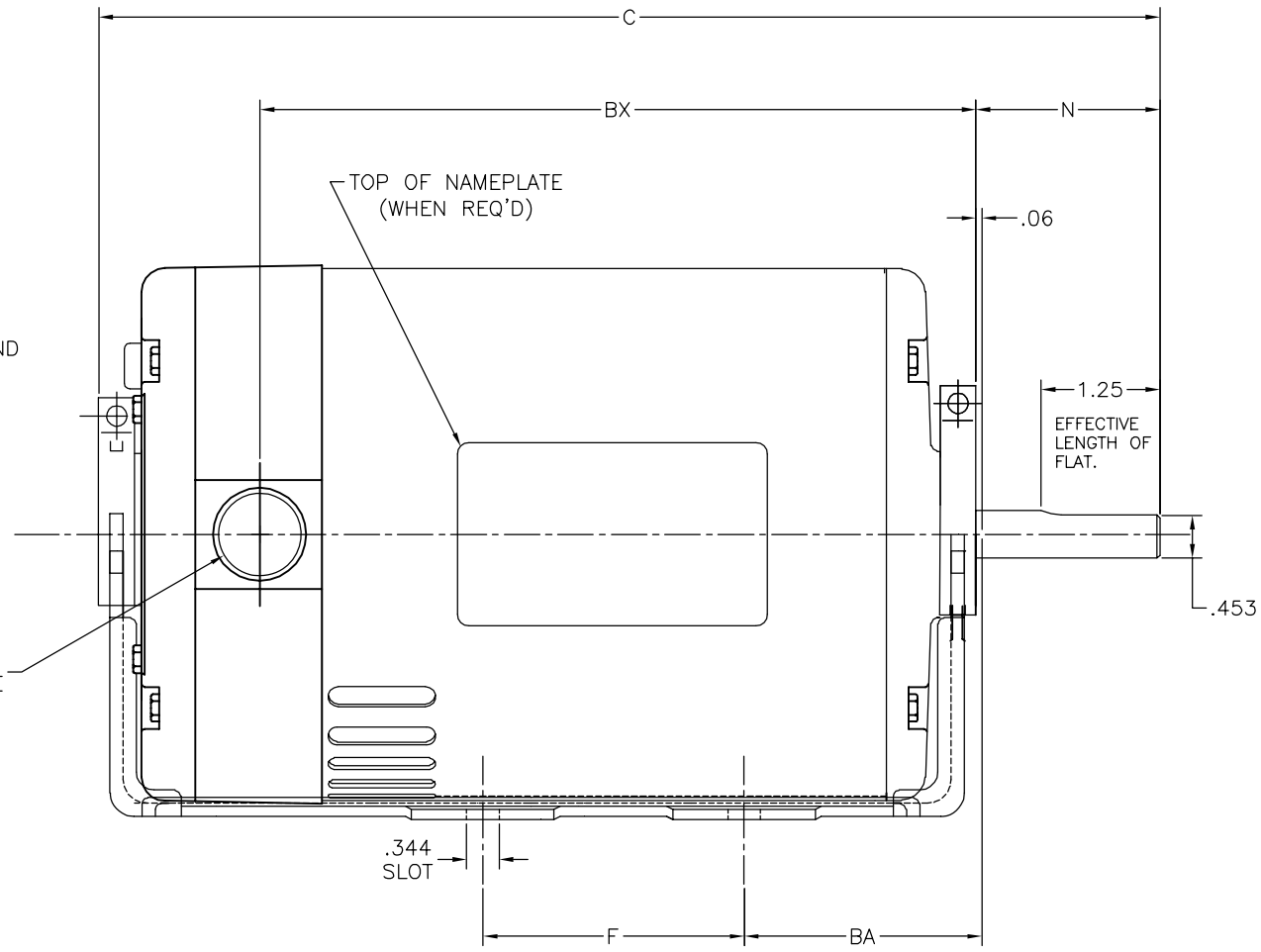
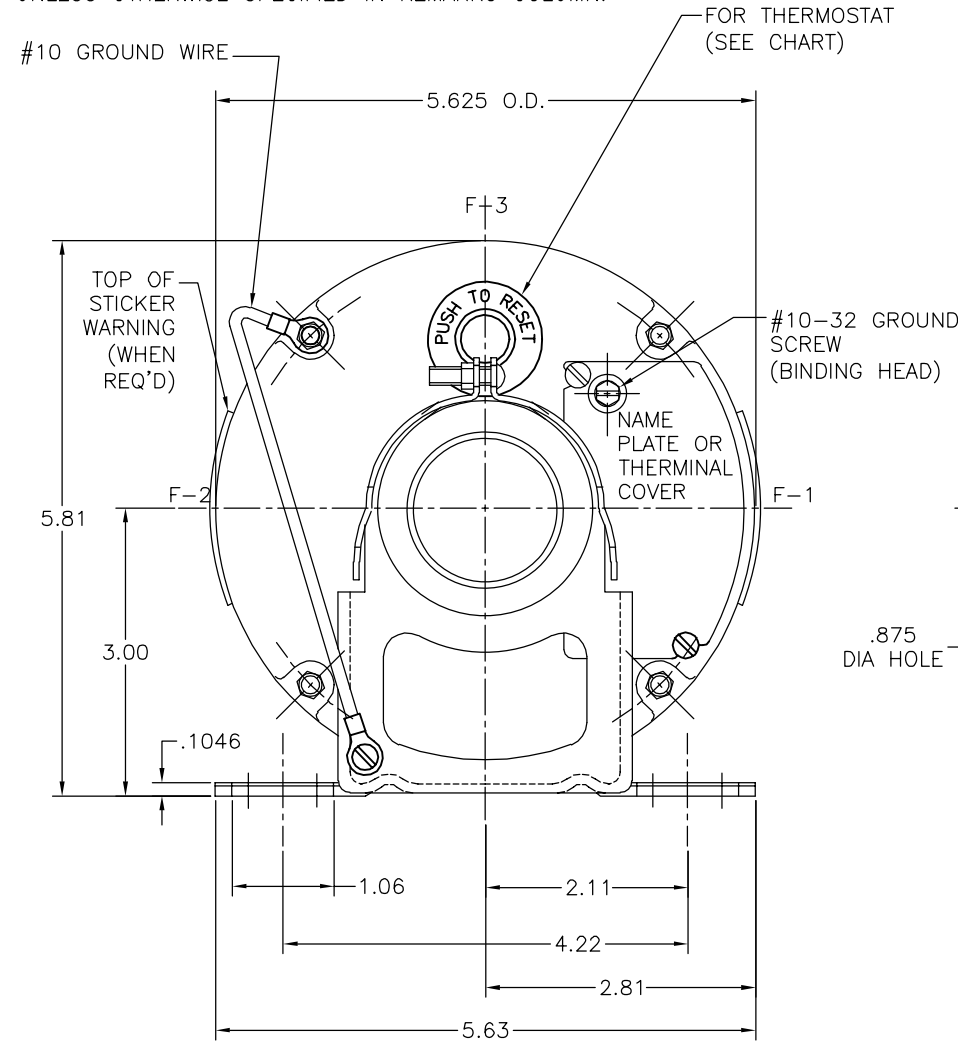
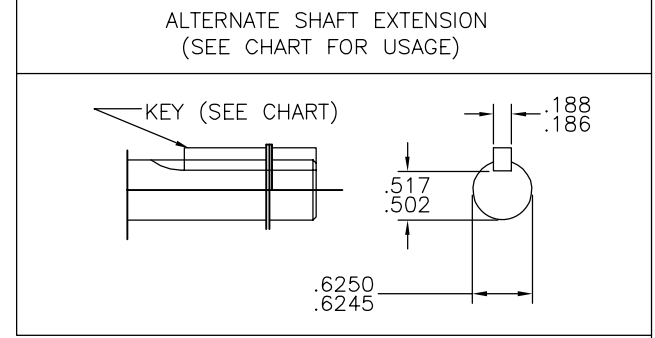
NOTES:  
ON ALL POLYPHASE MODELS LEADS TO EXTEND 6"±0 INTO CONDUIT BOX.

FINISH PAINT TO BE BLACK LACQUER UNLESS OTHERWISE SPECIFIED IN REMARKS COLUMN.

LIMITS ON AMPLITUDE OF VIBRATION MEASURED AT BEARING HOUSING = .001

CARBON STEEL SHAFT UNLESS OTHERWISE SPECIFIED IN REMARKS COLUMN.

RESILIENT MTG. SCREWS ASSEMBLED AS SHOWN UNLESS OTHERWISE SPECIFIED IN REMARKS COLUMN.



608542-042	.75	115/208-230	60	3450	1φ	DUAL	SHIELDED BALL	48Z	AUTO-RESET	11.06	2.50	7.13	2.75	1.56	OMIT	--	--	--	U.C.	BLOWER	QUICK DISCONNECT TERMINAL FOR LINE LEADS - U.L. APPROVED	11735
608542-041	.50	115/208-230	60	3450	1φ	DUAL	SHIELDED BALL	48Z	AUTO-RESET	10.56	2.50	7.37	2.75	1.56	OMIT	--	--	--	U.C.	BLOWER	QUICK DISCONNECT TERMINAL ON TERM. BOARD-1/4 TABS - U.L. APPROVED	11653
MOTOR ASSEMBLY	H.P.	VOLTS	CY.	R.P.M.	PHASE	ROT P.E.	BEARINGS	FRAME	THERMOSTAT	C	BA	BX	F	N	ALTER. SHAFT EXT.	WIDTH	THICK	LENGTH	TYPE	CHARACTER-ISTICS	REMARKS	NOTICE NO.

除另有注明  
尺寸公差如下:

英寸	±.1	±.02	±.005	±.0005
毫米	±0.5	±0.13	±0.013	

清理毛刺和尖棱  
英寸: .003-.015 毫米: 0.1-0.4  
内圆角  
英寸: .020 毫米: 0.5  
表面粗糙度  
英制: 125 米制: 3.2  
米制尺寸显示在 [ ]

绘图: RE 01-24-1964

批准:

第三角投影

图框格式发布日期 11-11-2011  
图框格式版本 G

机密: 本图纸及相关信息所有权归REGAL-BELOIT CORPORATION  
未经REGAL-BELOIT CORPORATION书面授权, 不得泄露、复制、传播或作其他用途。—版权所有

名称: OUTLINE	
图幅: D	图号: 10698-005
比例: NONE	页号: 1