

4

3

2

1

GENERAL INFORMATION:

SHAFT RUNOUT: .001 [.03] T.I.R. PER INCH LENGTH OF EXTENSION

BEARINGS: BALL

MOUNTING POSITION: HORIZONTAL

ELECTRICAL DATA:

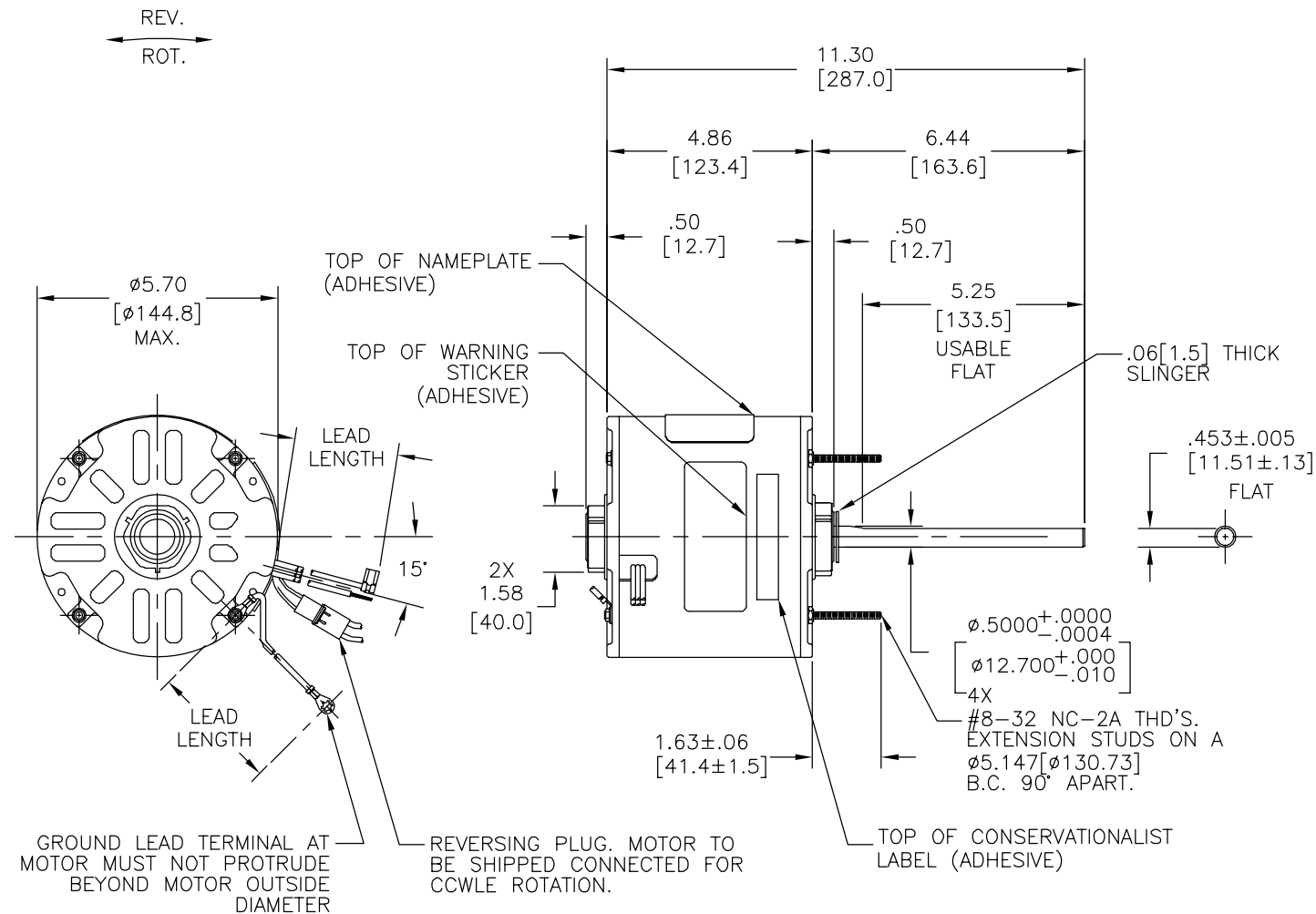
OVERLOAD PROTECTOR: AUTOMATIC RESET T.I. 7AM 036

LEADS: NO. 18 GA., .06[1.5] THK., PVC 105°C INSUL.

REVERSING LEADS: NO. 18 GA., .03[.8] THK., 125°C INSUL.

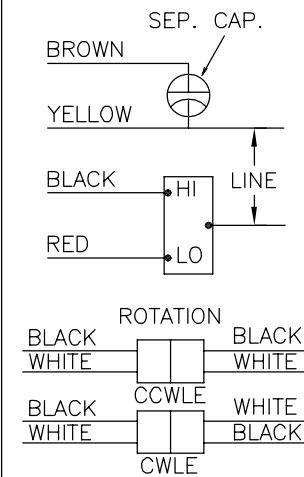
GROUND LEAD: NO. 18 GA., .03[.8] THK., GREEN INSUL.

REV	ECO	REV BY	DATE	APPD	DATE
B	0025534	I.MATA	04-24-2012	R.RASCON	04-24-2012



NAMEPLATE DATA:

EXTERNAL CONNECTION DIAGRAM



MODEL NO: F48U65A01
 CUST. P/N: []
 HP: 1/4
 ROT.: REVERSIBLE
 RPM: 1625/2 SPD.
 TYPE: UF
 FRAME: 48Y
 VOLTS: 460
 PH: 1
 AMPS: 0.9 (1.2 MAX.)
 HZ: 60
 INS.: B
 AMB: 60°C
 DUTY: AIR OVER
 CAP.: 5 MFD/370 V
 ENCL: SEMI-ENCLOSED
 CSA LOGO
 UL LOGO
 THERMALLY PROTECTED

GREEN(GRD)	12.0/13.0 [305/330]	#10 EYELET
BLACK/WHITE	4.0/6.0 [102/152]	REVERSING PLUG
BROWN	26.0/28.0 [660/711]	.25[6.4] FLAG
YELLOW	26.0/28.0 [660/711]	.60[15.2] SKIN
BLACK	26.0/28.0 [660/711]	.60[15.2] SKIN
RED	26.0/28.0 [660/711]	.60[15.2] SKIN

COLOR	LENGTH	TERMINAL OR STRIP LENGTH
GREEN(GRD)	12.0/13.0 [305/330]	#10 EYELET
BLACK/WHITE	4.0/6.0 [102/152]	REVERSING PLUG
BROWN	26.0/28.0 [660/711]	.25[6.4] FLAG
YELLOW	26.0/28.0 [660/711]	.60[15.2] SKIN
BLACK	26.0/28.0 [660/711]	.60[15.2] SKIN
RED	26.0/28.0 [660/711]	.60[15.2] SKIN

LEAD DATA

MAIN FR. - OLE	ENCLOSED
END FR. - OLE	OPEN
MAIN FR. - LE	ENCLOSED
END FR. - LE	OPEN

CUST	DISTRIBUTION SERVICES
------	-----------------------

- NOTES:
- 5 MFD CAPACITOR TO BE SHIPPED SEPARATELY IN CARTON.
 - DISTRIBUTION PART NUMBER: BDH1024
GRAINGER PART NUMBER: 4MB91

PERFORMANCE CURVE NO.	TORQUE @1625 RPM (25°C)	APPROVED SAMPLE	UL COMPONENT FILE #	CCN #	CSA FILE #	CLASS #
C23151	19.8 OZ. FT.	89AE921	E46412	PRGY2	LR43341	4211-01

GEOMETRIC CHARACTERISTICS & SYMBOLS

- FLATNESS
- STRAIGHTNESS
- ∠ ANGULARITY
- ⊥ PERPENDICULARITY (SQUARENESS)
- // PARALLELISM
- ROUNDNESS (CIRCULARITY)
- ⊘ CYLINDRICITY
- △ PROFILE OF ANY SURFACE
- ∧ PROFILE OF ANY LINE
- ↗ RUNOUT
- ⊕ TRUE POSITION
- ⊙ CONCENTRICITY
- ≡ SYMMETRY

ASME Y14.5M 1994

UNLESS OTHERWISE SPECIFIED DIM. TOLERANCES ARE AS FOLLOWS:

INCH X XX XXX XXXX
 ±.1 ±.02 ±.005 ±.0005
 mm ±0.5 ±0.13 ±0.013

ANG. ±.50 DEG

REMOVE BURRS & BREAK SHARP EDGES:
 INCH .003-.015 mm 0.1-0.4

CORNER FILLETS TO:
 INCH .020 mm 0.5

MACHINE SURFACES:
 INCH 125 mm 3.2

METRIC DIMS. SHOWN IN [BRACKETS]

DR BY: DZ 02-16-2011

APPD: DZ 02-16-2011

THIRD ANGLE PROJECTION

EDS DATE 11-11-2011
 FORMAT REV G

CONFIDENTIAL: THIS DRAWING AND ITS INFORMATION ARE THE EXCLUSIVE AND CONFIDENTIAL PROPERTY OF REGAL-BELOIT CORPORATION AND ARE NOT TO BE DISCLOSED, DUPLICATED, DISTRIBUTED OR OTHERWISE USED WITHOUT THE WRITTEN CONSENT OF REGAL-BELOIT CORPORATION. -ALL RIGHTS RESERVED.

REGAL-BELOIT CORPORATION

DESCRIPTION: OUTLINE

SIZE: C DWG NO: F48U65A01

SCALE: NONE SHEET: 1

4

3

2

1

4

3

2

1

INFORMACION GENERAL:

OSCILACION DE FLECHA: .001 [.03] L.T.I. LONGITUD DE EXTENSION POR PULGADA

BALEROS: BALINES

POSICION DE MONTAJE: HORIZONTAL

DATOS ELECTRICOS:

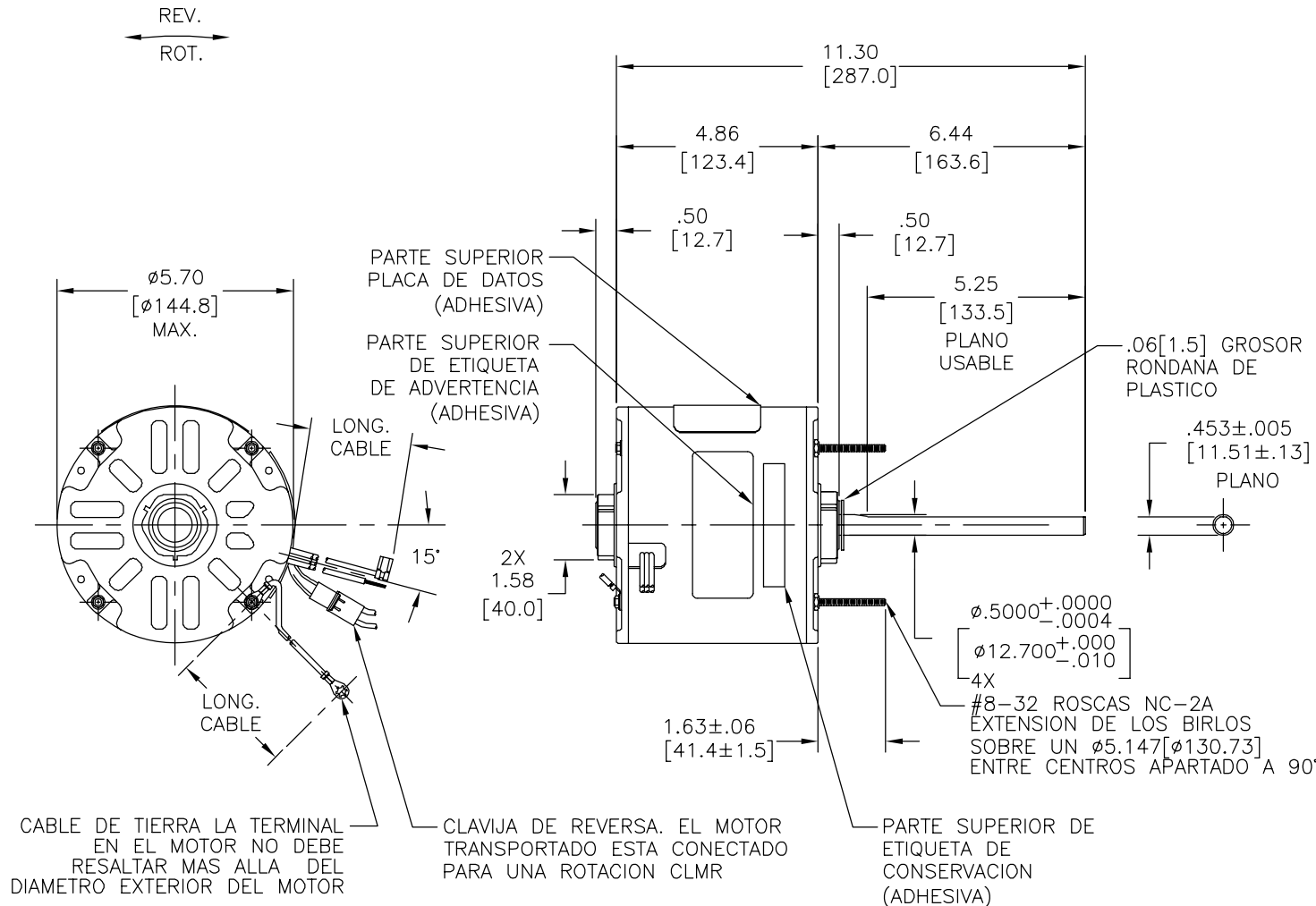
SOBRECARGA DEL PROTECTOR: REINICIO AUTOMATICO T.I. 7AM 036

CABLES: CAL. NO. 18, .06[1.5] ESPESOR, PVC 105°C AISLANTE

CABLES REVERSIBLES: CAL. NO. 18, .03[.8] ESPESOR 125°C AISLANTE

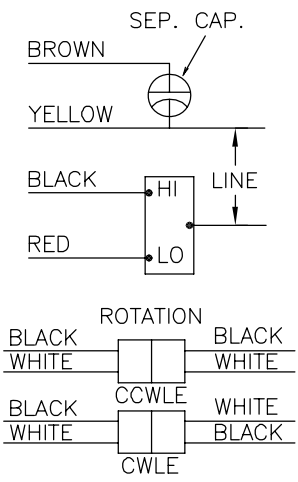
CABLE DE TIERRA: CAL. NO. 18, .03[.8] ESPESOR AISLANTE VERDE

REVISION:	ECO	REVISADO POR:	FECHA:	APROBADO POR:	FECHA:
B	0025534	I.MATA	04-24-2012	R.RASCON	04-24-2012



INF. PLACA DE DATOS:

DIAGRAMA DE CONEXION EXTERNA



MODEL NO: F48U65A01
 CUST. P/N: []
 HP: 1/4
 ROT.: REVERSIBLE
 RPM: 1625/2 SPD.
 TYPE: UF
 FRAME: 48Y
 VOLTS: 460
 PH: 1
 AMPS: 0.9 (1.2 MAX.)
 HZ: 60
 INS.: B
 AMB: 60°C
 DUTY: AIR OVER
 CAP.: 5 MFD/370 V
 ENCL: SEMI-ENCLOSED
 CSA LOGO
 UL LOGO
 THERMALLY PROTECTED

VERDE TIERRA	12.0/13.0 [305/330]	#10 OJAL
NEGRO/BLANCO	4.0/6.0 [102/152]	CLAVIJA DE REVERSA
CAFE	26.0/28.0 [660/711]	.25[6.4] BANDERA
AMARILLO	26.0/28.0 [660/711]	.60[15.2] FORRO
NEGRO	26.0/28.0 [660/711]	.60[15.2] FORRO
ROJO	26.0/28.0 [660/711]	.60[15.2] FORRO
COLOR	LONGITUD	TERMINAL O LONGITUD DE DESFORRE

NOTAS:

- CAPACITOR 5 MFD ES TRANSPORTADO POR SEPARADO EN CARTON.
- NUMERO DE PARTE DE DISTRIBUCION: BDH1024
NUM. DE PARTE GRAINGER: 4MB91

CUERPO PPAL.-OLE	CERRADO
TAPA FINAL - OLE	ABIERTO
CUERPO PPAL.- LE	CERRADO
TAPA FINAL - LE	ABIERTO

CLIENTE	DISTRIBUTION SERVICES
---------	-----------------------

CURVAS DE FUNCIONAMIENTO	TORSION @1625 RPM (25°C)	MUESTRA APROBADA	COMPONENTE UL	CSA
C23151	19.8 OZ. PULG.	89AE921	#ARCHIVO #CNN #ARCHIVO #CLASE	LR43341 4211-01

CARACTERISTICAS DE GEOMETRIA Y SIMBOLOS

- PLANICIDAD
- RECTITUD
- ∠ ANGULARIDAD
- ⊥ PERPENDICULARIDAD (A ESQUADRA)
- // PARALELISMO
- REDONDEZ (CIRCULARIDAD)
- ∅ CILINDRICIDAD
- △ PERFIL DE CUALQUIER SUPERFICIE
- ∧ PERFIL DE CUALQUIER LINEA
- ∧ VARIACION
- ⊕ POSICION REAL
- ⊙ CONCENTRICIDAD
- = SIMETRIA

ASME Y14.5M 1994

A MENOS QUE SE ESPECIFIQUE DE OTRA MANERA, LAS TOLERANCIAS DE LAS DIMS; SON LAS SIGUIENTES:

PULG ±.1 ±.02 ±.005 ±.0005

mm ±0.5 ±0.13 ±0.013

ANG. ±.50 GRADOS

ELIMINAR REBABAS Y ORILLAS FILOSAS DEL BORDE.

PULG .003-.015 mm 0.1-0.4

FILETEAR ESQUINA: PULG .020 mm 0.5

MAQUINAR SUPERFICIES

PULG 125 mm 3.2

DIMS METRICAS MOSTRADAS [PARENTESIS]

DIBUJADO POR: DZ 02-16-2011

APROBADO POR: DZ 02-16-2011

TERCER ANGULO DE PROYECCION

FECHA EDS: 11-11-2011

REV. FORMATO: G

CONFIDENCIAL: ESTE DIBUJO Y SU INFORMACION SON PROPIEDAD DE USO EXCLUSIVO Y CONFIDENCIAL DE REGAL-BELOIT CORPORATION. Y NO DEBERAN SER REVELADOS, DUPLICADOS, DISTRIBUIDOS O USARSE DE OTRA MANERA SIN EL CONSENTIMIENTO ESCRITO DE REGAL-BELOIT CORPORATION. -TODOS LOS DERECHOS RESERVADOS.

REGAL-BELOIT CORPORATION

DESCRIPCION: **OUTLINE**

TAMAÑO: C NUMERO DE DIBUJO: F48U65A01

ESCALA: NONE HOJA: 1

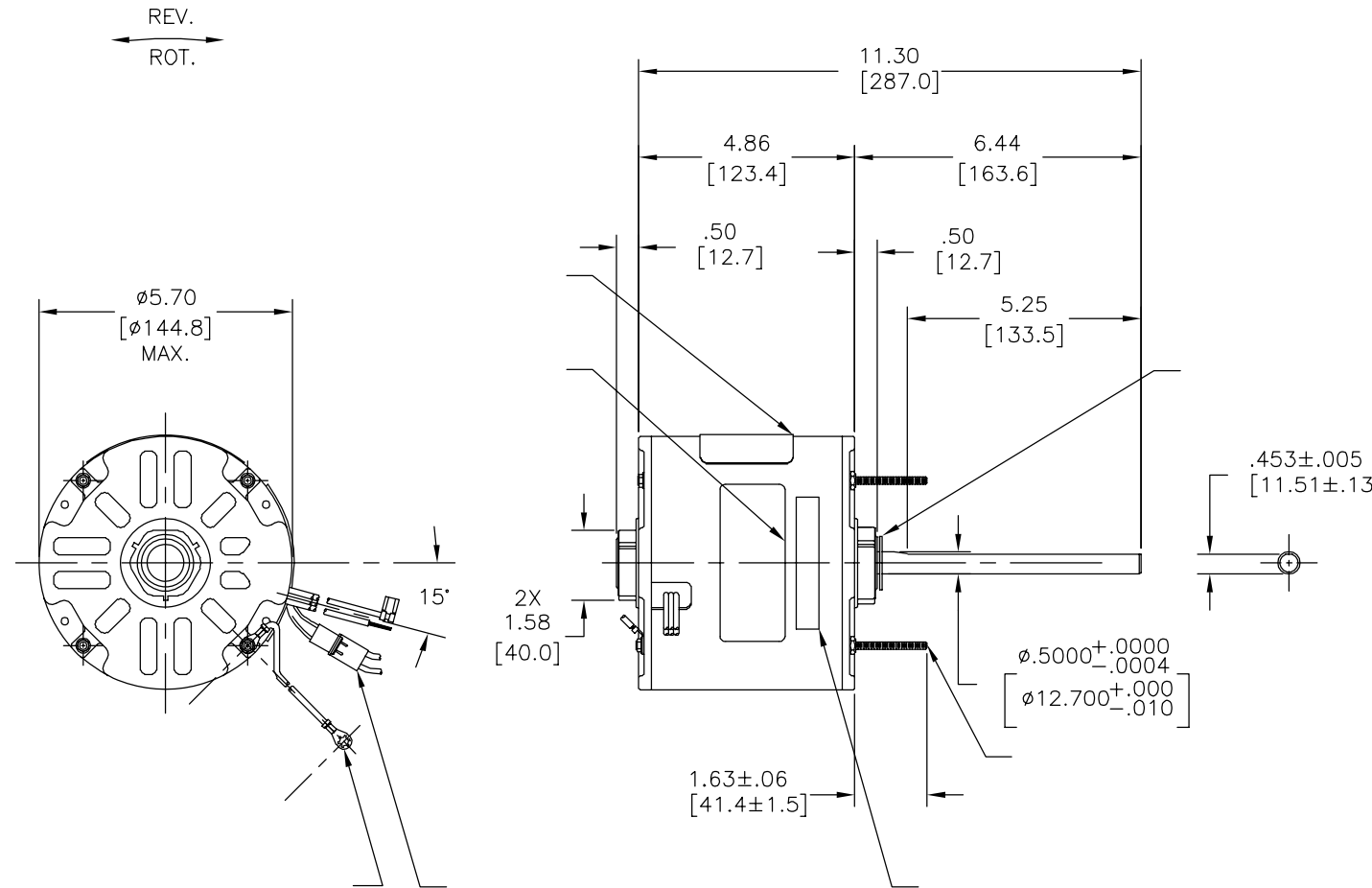
4

3

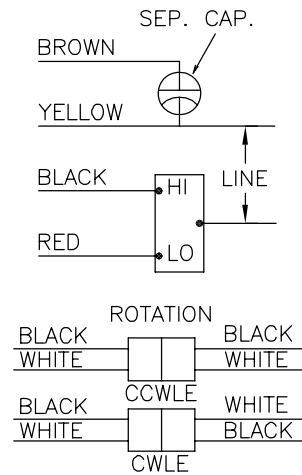
2

1

版本	ECO	编制	日期	批准	日期
B	0025534	I.MATA	04-24-2012	R.RASCON	04-24-2012



MODEL NO: F48U65A01
 CUST. P/N: []
 HP: 1/4
 ROT.: REVERSIBLE
 RPM: 1625/2 SPD.
 TYPE: UF
 FRAME: 48Y
 VOLTS: 460
 PH: 1
 AMPS: 0.9 (1.2 MAX.)
 HZ: 60
 INS.: B
 AMB: 60°C
 DUTY: AIR OVER
 CAP.: 5 MFD/370 V
 ENCL: SEMI-ENCLOSED
 CSA LOGO
 UL LOGO
 THERMALLY PROTECTED



614131-104

	12.0/13.0	
	[305/330]	
	4.0/6.0	
	[102/152]	
	26.0/28.0	
	[660/711]	
	26.0/28.0	
	[660/711]	
	26.0/28.0	
	[660/711]	
	26.0/28.0	
	[660/711]	

					CSA
C23151		89AE921	E46412	PRGY2	LR433414211-01

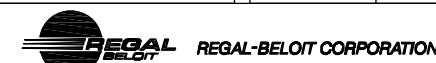
- 形位公差
- 平面度
- 直线度
- ∠ 倾斜度
- ⊥ 垂直度
- // 平行度
- 圆度
- ⊘ 圆柱度
- ⊖ 内圆角
- △ 面轮廓度
- ⌒ 线轮廓度
- ⤴ 圆跳动
- ⊕ 位置度
- ⊙ 同轴度
- ≡ 对称度

ASME Y14.5M 1994

除另有注明
尺寸公差如下:
 英寸 X XX XXX XXXX
 ±.1 ±.02 ±.005 ±.0005
 毫米 ±0.5 ±0.13 ±0.013
 角度 ±.50 度
 清理毛刺和尖棱
 英寸 .003-.015 毫米 0.1-0.4
 内圆角
 英寸 .020 毫米 0.5
 表面粗糙度
 英制 125 米制 3.2

米制尺寸显示在 []

绘图: DZ 02-16-2011
 批准: DZ 02-16-2011
 第三角投影
 图框格式发布日期 11-11-2011
 图框格式版本 G
 机密: 本图纸及相关信息所有权归REGAL-BELOIT CORPORATION
 未经REGAL-BELOIT CORPORATION书面授权, 不得泄露、
 复制、传播或作其他用途。—版权所有



名称: OUTLINE
 图幅: C 图号: F48U65A01
 比例: NONE 页号: 1

D
C
B
A

D
C
B
A

4

3

2

1

4

3

2

1