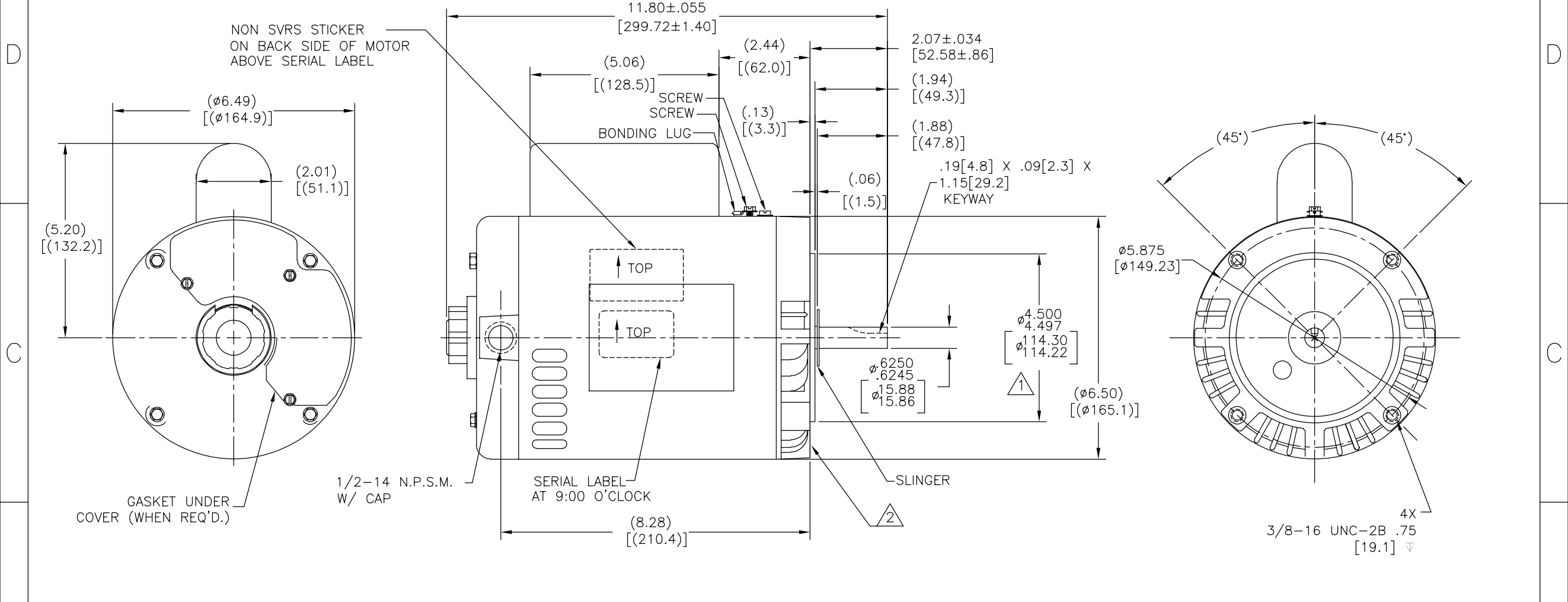


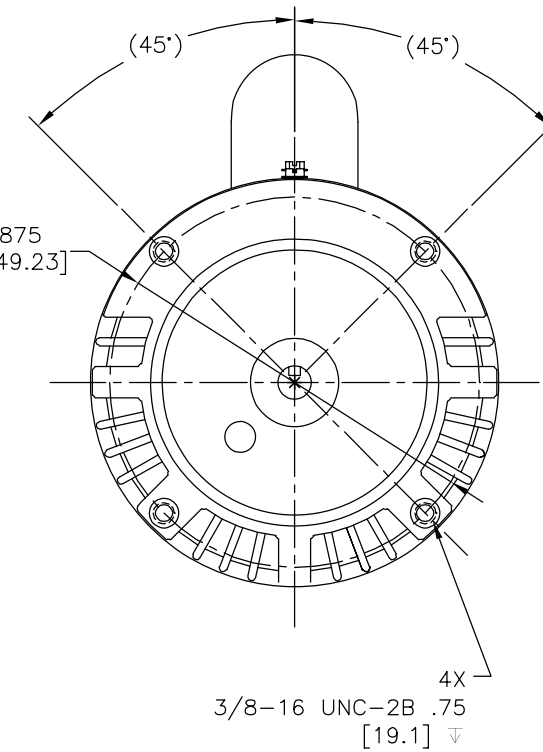
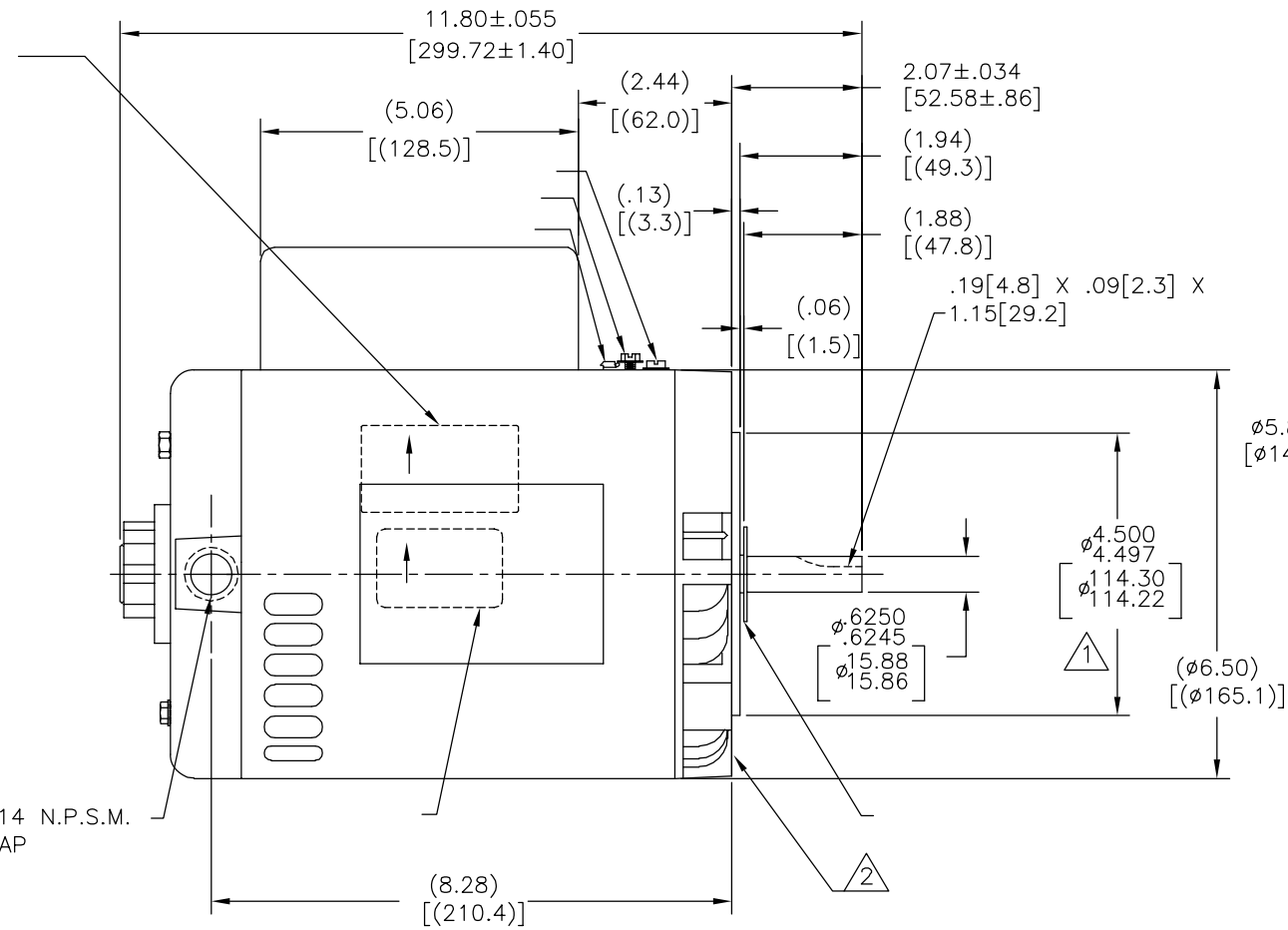
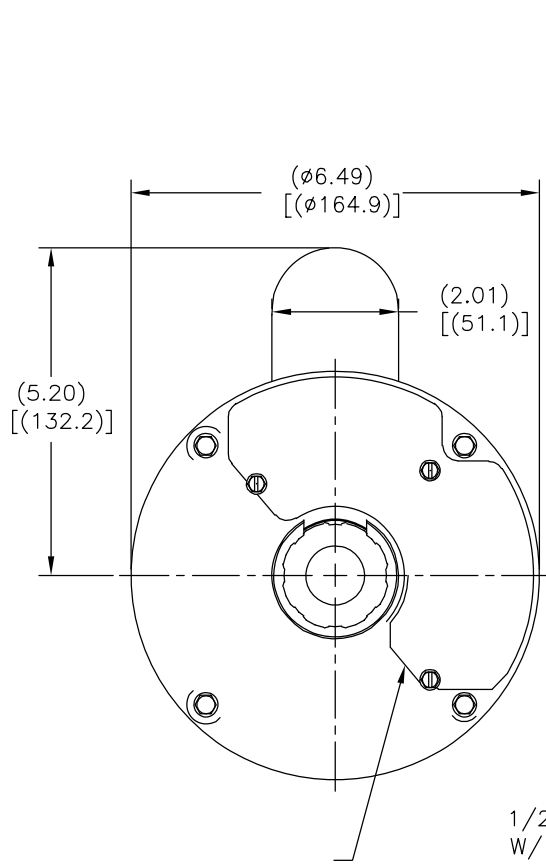
REV	ECO	REV BY	DATE	APPD	DATE
C	0025533	E.SINECIO	04-25-2012	R.RASCON	04-25-2012



NAMEPLATE DATA	EXTERNAL CONNECTION DIAGRAM	NOTES
MODEL: 177057 CUST PN: B972 HP: 3/4 - .10 SF: 1.50 ROT: CCWPE RPM: 3450/1725 TYPE: CXPM CODE: H FORM: FRAME: M 56 C VOLTS: 115 AMPS: MAX AMPS: SF AMPS: 11.2/5.0 PH: 1 HZ: 60 INS: B AMB: 40°C DUTY: CONT ENCLOSURE: ODP THERMALLY PROTECTED	<p>MOTOR CONNECTION WITH/OUT TOGGLE SWITCH</p> <p>MOTOR CONNECTION WITH TOGGLE SWITCH</p>	1. PILOT DIAMETER IS CONCENTRIC WITH SHAFT \pm WITHIN .004[.10] T.I.R. 2. FACE OF MOUNTING FLANGE IS PERPENDICULAR TO SHAFT \pm WITHIN .004[.10] T.I.R. 3. SHAFT RUNOUT NOT TO EXCEED .002[.05] T.I.R. 4. END PLAY NOT TO EXCEED .010[.25] MEASURED WITH NO THRUST 5. FINISH PAINT TO BE BLACK

PERFORMANCE CURVE	APPROVED SAMPLE	GEOMETRIC CHARACTERISTICS & SYMBOLS ▽ FLATNESS — STRAIGHTNESS ∠ ANGULARITY ⊥ PERPENDICULARITY (SQUARENESS) // PARALLELISM ○ ROUNDNESS (CIRCULARITY) ∅ CYLINDRICITY △ PROFILE OF ANY SURFACE ∩ PROFILE OF ANY LINE ↑ RUNOUT ⊕ TRUE POSITION ⊙ CONCENTRICITY = SYMMETRY	UNLESS OTHERWISE SPECIFIED DIM. TOLERANCES ARE AS FOLLOWS: INCH X XX XXX XXXX ±.1 ±.02 ±.005 ±.0005 mm ±0.5 ±0.13 ±0.013 ANG. ±.50 DEG REMOVE BURRS & BREAK SHARP EDGES: INCH .003-.015 mm 0.1-0.4 CORNER FILLETS TO: INCH .020 mm 0.5 MACHINE SURFACES: INCH 125 mm 3.2	DR BY: T.REYES APPD: 06-12-2006 EDS DATE 02-22-2008 FORMAT REV G	REGAL-BELOIT CORPORATION DESCRIPTION MODEL-CFHP-56FR OUTLINE SIZE C DWG NO B972 SCALE NONE SHEET 1
16331911	CSA		THIRD ANGLE PROJECTION CONFIDENTIAL: THIS DRAWING AND ITS INFORMATION ARE THE EXCLUSIVE AND CONFIDENTIAL PROPERTY OF REGAL-BELOIT CORPORATION AND ARE NOT TO BE DISCLOSED, DUPLICATED, DISTRIBUTED OR OTHERWISE USED WITHOUT THE WRITTEN CONSENT OF REGAL-BELOIT CORPORATION. -ALL RIGHTS RESERVED.		

REVISION:	ECO	REVISADO POR:	FECHA:	APROBADO POR:	FECHA:
C	0025533	E.SINECIO	04-25-2012	R.RASCON	04-25-2012



1/2-14 N.P.S.M.
W/ CAP

NAMEPLATE DATA	EXTERNAL CONNECTION DIAGRAM	NOTES
MODEL: 177057 CUST PN: B972 HP: 3/4 - .10 SF: 1.50 ROT: CCWPE RPM: 3450/1725 TYPE: CXPM CODE: H FORM: FRAME: M 56 C VOLTS: 115 AMPS: MAX AMPS: SF AMPS: 11.2/5.0 PH: 1 HZ: 60 INS: B AMB: 40°C DUTY: CONT ENCLOSURE: ODP THERMALLY PROTECTED		

PERFORMANCE CURVE	APPROVED SAMPLE		
16331911			
UL COMPONENT	CSA		
FILE#	CCN#	FILE#	GUIDE#
E14663	XZWR2	LR4642	4211-01
CUSTOMER	DISTRIBUTION		

CARACTERISTICAS DE GEOMETRIA Y SIMBOLOS
 ✓ PLANICIDAD
 - RECTITUD
 < ANGULARIDAD
 ⊥ PERPENDICULARIDAD (A ESQUADRA)
 // PARALELISMO
 ○ REDONDEZ (CIRCULARIDAD)
 ∅ CILINDRICIDAD
 △ PERFIL DE CUALQUIER SUPERFICIE
 ▲ PERFIL DE CUALQUIER LINEA
 ↗ VARIACION
 ⊕ POSICION REAL
 ⊙ CONCENTRICIDAD
 = SIMETRIA

A MENOS QUE SE ESPECIFIQUE DE OTRA MANERA, LAS TOLERANCIAS DE LAS DIMS; SON LAS SIGUIENTES:
 PULG ±.1 ±.02 ±.005 ±.0005
 mm ±0.5 ±0.13 ±0.013
 ANG. ± 50 GRADOS
 ELIMINAR REBABAS Y ORILLAS FILOSAS DEL BORDE.
 PULG .003-.015 mm 0.1-0.4
 FILETEAR ESQUINA: PULG .020 mm 0.5
 MAQUINAR SUPERFICIES
 PULG 125 mm .32

DIBUJADO POR: T.REYES
 APROBADO POR:
 TERCER ANGULO DE PROYECCION
 FECHA EDS: 02-22-2008
 REV. FORMATO: G
 CONFIDENCIAL: ESTE DIBUJO Y SU INFORMACION SON PROPIEDAD DE USO EXCLUSIVO Y CONFIDENCIAL DE REGAL-BELOIT CORPORATION. Y NO DEBERAN SER REVELADOS, DUPLICADOS, DISTRIBUIDOS O USARSE DE OTRA MANERA SIN EL CONSENTIMIENTO ESCRITO DE REGAL-BELOIT CORPORATION. -TODOS LOS DERECHOS RESERVADOS.

DESCRIPCION: MODEL-CFHP-56FR OUTLINE	
TAMAÑO: C	NUMERO DE DIBUJO: B972
ESCALA: NONE	HOJA: 1

4

3

2

1

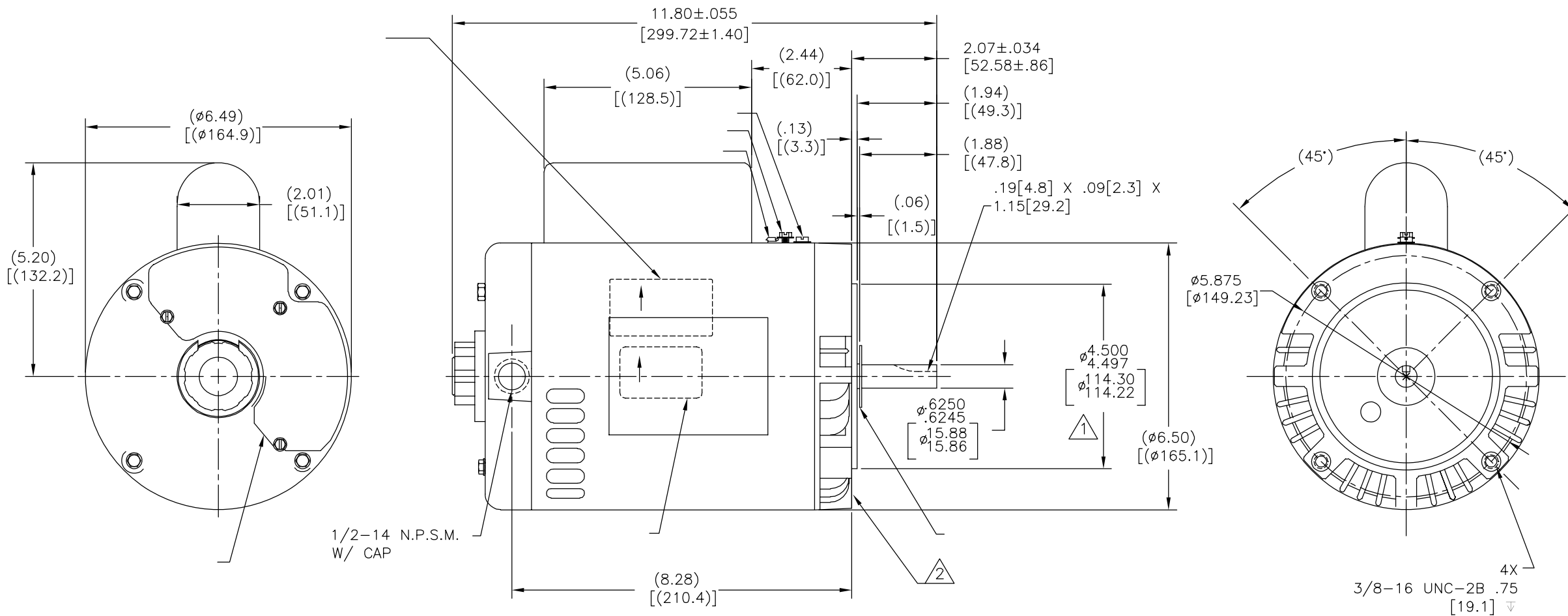
4

3

2

1

版本	ECO	编制	日期	批准	日期
C	0025533	E.SINECIO	04-25-2012	R.RASCON	04-25-2012



1/2-14 N.P.S.M.
W/ CAP

4X
3/8-16 UNC-2B .75
[19.1]

NAMEPLATE DATA	EXTERNAL CONNECTION DIAGRAM	NOTES
MODEL: 177057 CUST PN: B972 HP: 3/4 - .10 SF: 1.50 ROT: CCWPE RPM: 3450/1725 TYPE: CXPM CODE: H FORM: FRAME: M 56 C VOLTS: 115 AMPS: MAX AMPS: SF AMPS: 11.2/5.0 PH: 1 HZ: 60 INS: B AMB: 40°C DUTY: CONT ENCLOSURE: ODP THERMALLY PROTECTED		

PERFORMANCE CURVE	APPROVED SAMPLE		
16331911			
UL COMPONENT	CSA		
FILE#	CCN#	FILE#	GUIDE#
E14663	XZWR2	LR4642	4211-01
CUSTOMER	DISTRIBUTION		

形位公差	除另有注明
□ 平面度	尺寸公差如下:
— 直线度	英寸 X ±.1 ±.02 ±.005 ±.0005
∠ 倾斜度	毫米 ±0.5 ±0.13 ±0.013
⊥ 垂直度	角度 ±.50 度
// 平行度	清理毛刺和尖棱
○ 圆度	英寸 .003-.015 毫米 0.1-0.4
⊙ 圆柱度	内圆角
⌒ 面轮廓度	英寸 .020 毫米 0.5
⌒ 线轮廓度	表面粗糙度
↗ 圆跳动	英制 125 米制 3.2
⊕ 位置度	米制尺寸显示在 []
⊙ 同轴度	
≡ 对称度	

绘图:	T.REYES	06-12-2006
批准:		
第三角投影	⊕	图纸格式发布日期 02-22-2008 图纸格式版本 G
机密: 本图纸及相关信息所有权归REGAL-BELOIT CORPORATION. 未经REGAL-BELOIT CORPORATION书面授权, 不得泄露、复制、传播或作其他用途。—版权所有		

名称	
MODEL-CFHP-56FR OUTLINE	
图幅	图号
C	B972
比例	页号
NONE	1

ASME Y14.5M 1994