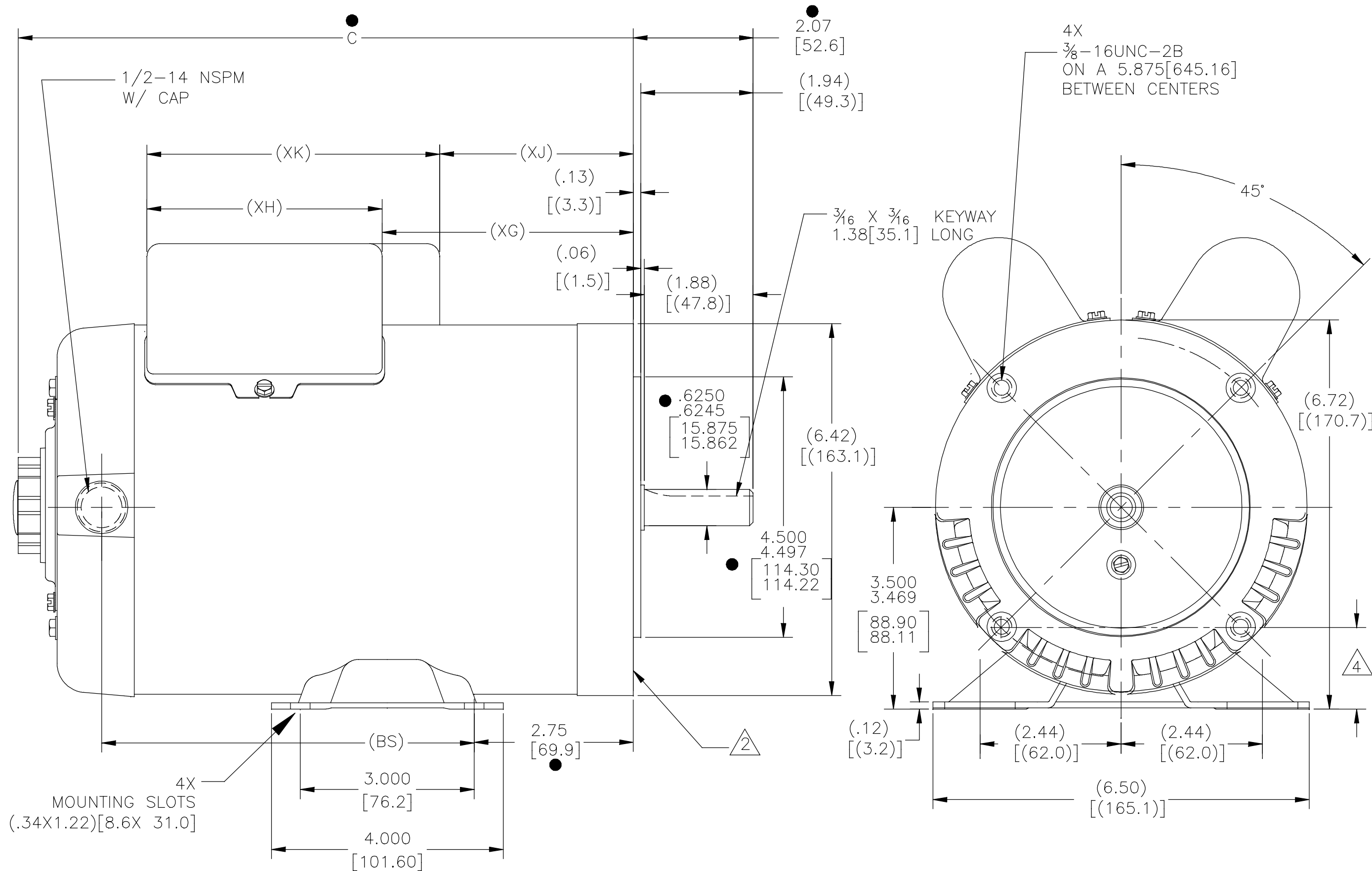
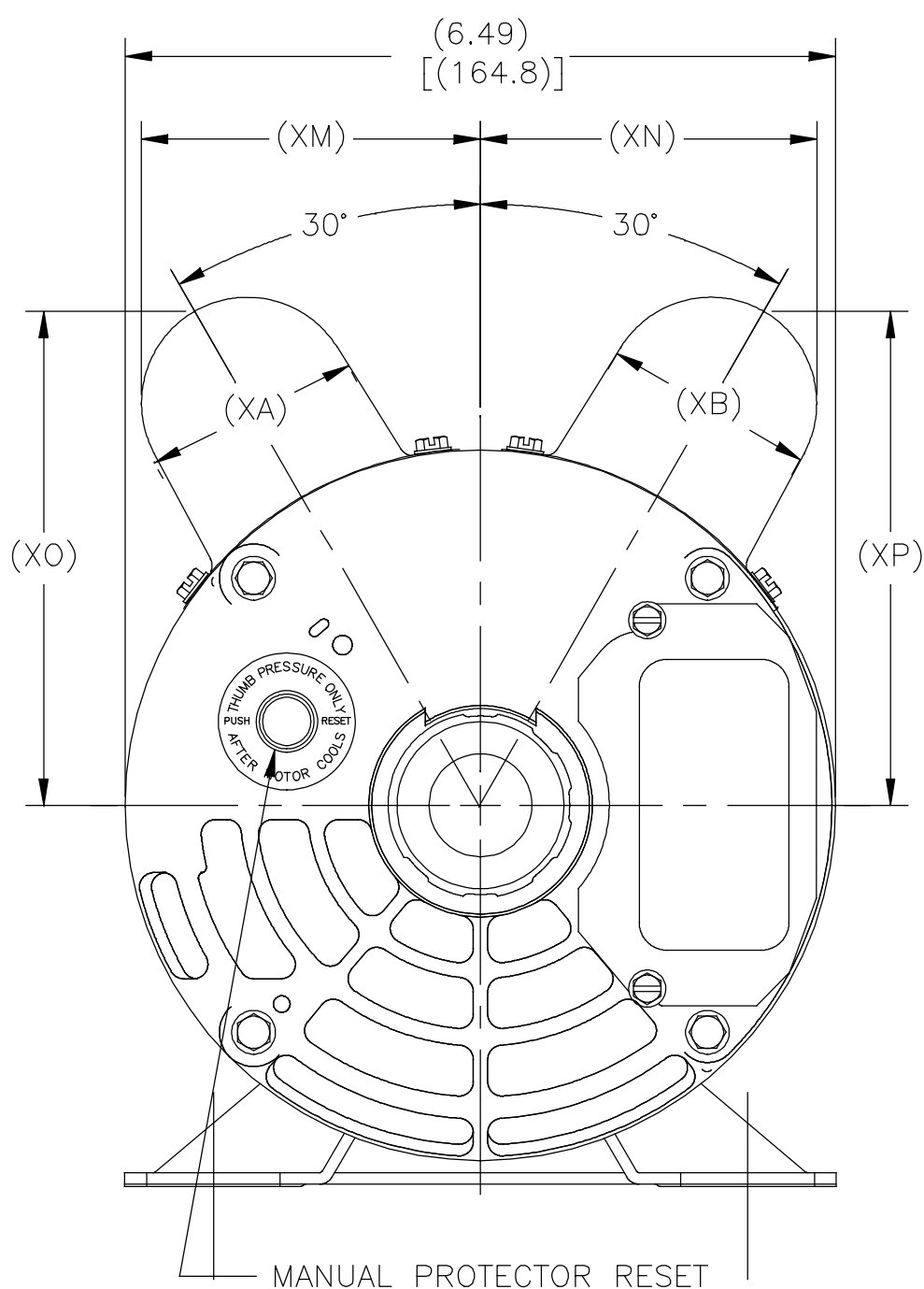


ALL DIMENSIONS SHOWN IN PARENTHESIS ARE REFERENCE DIMENSIONS. ALL OTHER DIMENSIONS ARE TOLERANCED PER THE FOLLOWING CHART UNLESS OTHERWISE SPECIFIED.

C	(BS)	(XA)	(XB)	(XG)	(XH)	(XK)	(XJ)	(XO)	(XP)	(XM)	(XN)
12.70	6.62	2.01	2.01	4.34	4.06	5.06	3.34	4.64	4.64	3.10	3.10
[322.6]	[168.1]	[51.0]	[51.0]	[110.2]	[103.1]	[128.5]	[84.8]	[117.9]	[117.9]	[78.7]	[78.7]

C DIM. = ±.055[±1.40]  
 SHAFT EXT. = ±.034[±.86]  
 LEAD LENGTHS = ±1.00[±25.4]  
 EXTENDED  
 THRU-BOLTS = ±.050[±1.27]



- NOTES:
- 1. PILOT DIAMETER IS CONCENTRIC WITH SHAFT CENTERLINE WITHIN .004 T.I.R.
  - 2. FACE OF MOUNTING FLANGE IS PERPENDICULAR TO SHAFT CENTERLINE WITHIN .004[.10] T.I.R.
  - 3. SHAFT RUNOUT NOT TO EXCEED .002[.05] T.I.R.
  - 4. THE 2 BOTTOM HOLES IN THE MOUNTING FLANGE ARE PARALLEL FROM THE BOTTOM OF THE BASE FEET WITHIN .030[.76]

5.- END PLAY NOT TO EXCEED .010[.25] MEASURED WITH NO THRUST.

6.- DEPTH OF HOLES IN MOUNTING FLANGE ARE .75[19.05]. ● = CRITICAL DIMENSION

DRAWING REVISION B	REVISION BY WENDLING	DATE 03-08-2018	TOLERANCES UNLESS OTHERWISE SPECIFIED DEC. INCH mm ANGLE .X ±0.1 [±2.5] ±0.5° .XX ±0.02 [±0.511] .XXX ±0.005 [±0.127] .XXXX ±0.0005 [±0.0127]	DRAWN BY: L.HEREDIA	REGAL™ Regal Beloit America, Inc.
ECO ECO-0140702	APPROVED BY WENDLING	DATE 03-08-2018	REMOVE BURRS & BREAK SHARP EDGES .003/.015 [0.076/.381] X 45° CORNER FILLETS R.02 [5.1] MACHINED SURFACES 125 INCH 3.2 mm SHOWN IN [BRACKETS]	DATE: 12-02-2016	
ECO DESCRIPTION SEE ECO				APPROVED BY: G.NOE	DESCRIPTION OUTLINE MODEL-CFHP-56FR
COPYRIGHT REGAL BELOIT AMERICA, INC. ALL RIGHTS RESERVED. PROPRIETARY AND CONFIDENTIAL INFORMATION - THIS DOCUMENT IS THE PROPERTY OF REGAL BELOIT AMERICA, INC. (OWNER) AND CONTAINS OWNER'S PROPRIETARY INFORMATION. ANY PERSON, CORPORATION OR OTHER FIRM RECEIVING IT IS DEEMED, BY RECEIVING IT, TO AGREE THAT IT, AND/OR ANY PART OF IT, SHALL NOT BE DISCLOSED TO ANY PERSON, CORPORATION OR OTHER ENTITY, DUPLICATED, AND/OR USED, EXCEPT AS EXPRESSLY APPROVED IN WRITING IN ADVANCE BY OWNER. THIS DOCUMENT SHALL BE RETURNED TO OWNER UPON REQUEST. IT MAY BE SUBJECT TO CERTAIN RESTRICTIONS UNDER APPLICABLE EXPORT CONTROL LAWS AND REGULATIONS.				DATE:	MATERIAL
				REFERENCE	PROCESS/FINISH
				THIRD ANGLE PROJECTION	SIZE DWG NO C B860ES
					SHEET 1